



The Signature of Quality

FEDERAL INDUSTRIES

A Standex Company

215 Federal Avenue
Belleville, Wisconsin 53508-9201

Phone: 800-356-4206

Fax: 608-424-3234

Email: Geninfo@Federalind.com

Website: Federalind.com

Project Name: _____

Item #: _____

Model #: _____ Qty: _____

Approval: _____

AIA #

SIS #

VISION SERIES - Quick Ship - Curved End Self-Serve Refrigerated Merchandiser - 78"

Designed with impulse sales in mind. Get maximum return from an attention-grabbing merchandiser and increase profits.

MODEL	DIMENSIONS (Includes End Panels)
<input type="checkbox"/> VRSS3678C-QS	36 x 33 x 78 (in) 914 x 838 x 1981 (mm)
<input type="checkbox"/> VRSS4878C-QS	47.25 x 33 x 78 (in) 1200 x 838 x 1981 (mm)
<input type="checkbox"/> VRSS7278C-QS	71.25 x 33x 78 (in) 1810 x 838 x 1981 (mm)



Model VRSS7278C-QS Shown

STANDARD FEATURES

Model Features

- Powder coated base frame
- Black powder coated metal front & rear grill
- Black Trim
- Stainless steel display deck
- Tempered glass ends panel - black
- Black interior back panel
- Moisture resistant end panel construction
- Front air intake / front & rear discharge
- Energy saving night curtain
- Self-Cleaning Condenser
- Adjustable Leg Levelers
- Cord & Plug

Refrigeration

- Electronic temperature control with on demand defrost
- Refrigeration controls maintain 38°-40°F (3.3°-4.4°C) Note: Case temperature will vary if the air curtain is disrupted.
- Thermometer
- R449a refrigerant

Shelving

- Four tiers of adjustable black metal shelves with black price tag molding. Shelves can be flat or slanted downwards at 10°

Lighting

- 3500K LED top light
- LED Lights Below Shelves

Agency Approvals

- UL, C-UL and UL Sanitation listed to NSF-7, Type II conditions
- DOE 2017 compliant



WARRANTY*
One year Parts and Labor
2nd thru 5th year part only
service compressor
(U.S.A. and Canada)

Note: Information is subject to change at any time. Visit www.federalind.com for the most current specs.

AIA #	VISION SERIES - Curved End Self-Serve Refrigerated Merchandiser - 78"
SIS #	Product Specifications

Intended Environment: Type II (Self Contained and Remote) - Designed to operate in maximum ambient conditions of 80°F (26.7°C) and 55% relative humidity. Model VRSS3678-QS is Type I designed to operate in maximum ambient conditions of 75°F (24°C) and 55% humidity.

Zone	Intended Product To Be Displayed	Avg Prod Temp °F/°C
All	Packaged Refrigerated Products	38°F / (3.3°C)

DIMENSION: xx"/(mm)

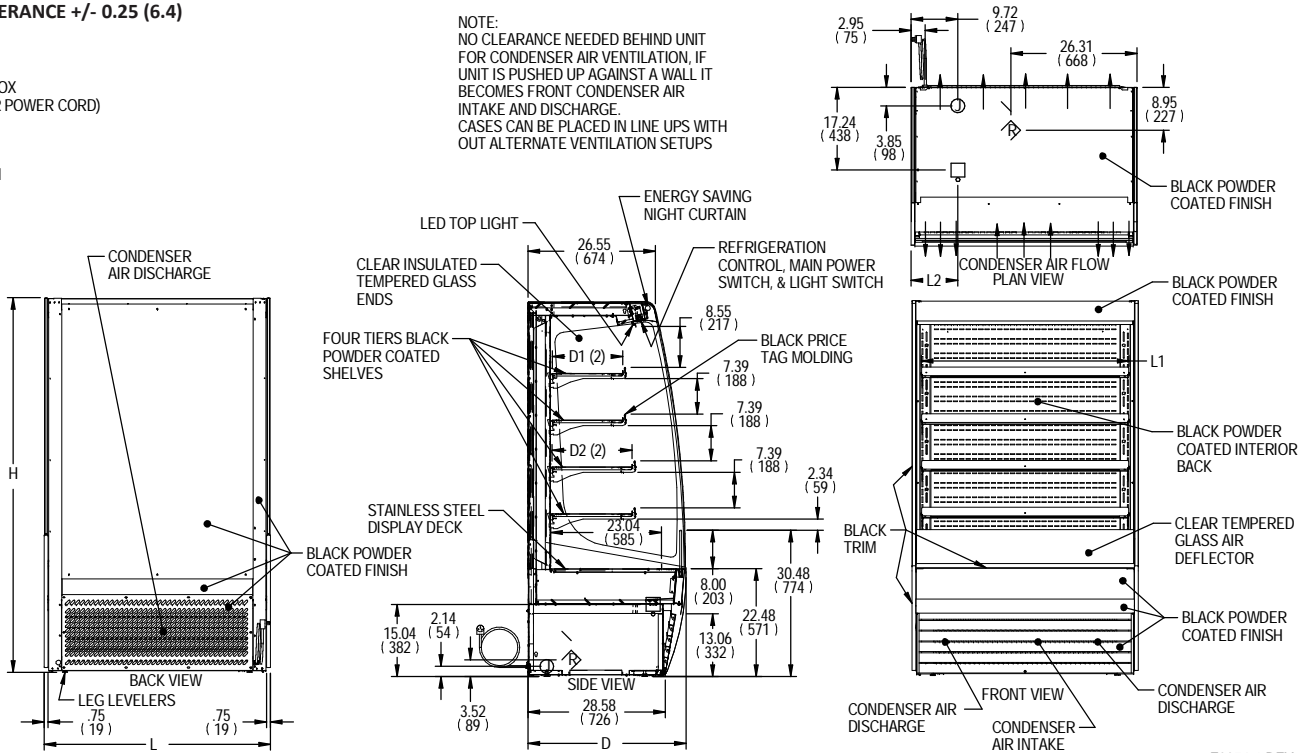
DIMENSION TOLERANCE +/- 0.25 (6.4)

SYMBOL KEY:
 ELECTRICAL JUNCTION BOX (SUPPLIED W/6' LEADS OR POWER CORD)

TUB DRAIN LOCATION

REMOTE REFRIGERATION LINE CONNECTION

NOTE:
 NO CLEARANCE NEEDED BEHIND UNIT FOR CONDENSER AIR VENTILATION, IF UNIT IS PUSHED UP AGAINST A WALL IT BECOMES FRONT CONDENSER AIR INTAKE AND DISCHARGE. CASES CAN BE PLACED IN LINE UPS WITH OUT ALTERNATE VENTILATION SETUPS



E3974-1 REV -

MODEL	DIMENSIONS			TUB DRAIN	SHELVING			INTERIOR VOLUME CU FT	SELF CONTAINED				REMOTE											
	L	D	H	L2	# OF TIERS	L1	D1		D2	ELECTRICAL	STANDARD CONNECTION CORD & PLUG			REFRIG	C.U HP	SHIP WEIGHT	PERMANENT CONNECT		REFRIG	BTU'S @ + 20°	SHIP WEIGHT			
	in	in	in	in		in	in		in		2 WIRE + GROUND	AMPS	MAX FUSE				NEMA CORD &	AMPS				MAX FUSE	LBS	KILO
	mm	mm	mm	mm		mm	mm		mm		mm	mm	mm				mm	mm				mm	mm	mm
VRSS3678C-QS	36	33	78	6.74	4	32.25	14.634	16.634	19.47	120/60/1	12.7	20	NEMA 5-20P	R449A	3/4	740	2.5	15	R449A	6,720	695			
	914	838	1981	171		819	372	423								336					315			
VRSS4878C-QS	47.25	33	78	13.49	4	43.25	14.634	16.634	25.74	208-240/60/1	12.5	20	NEMA 6-20P	R449A	1	820	3.0	15	R449A	9,580	775			
	1200	838	1981	343		1099	372	423								372					351			
VRSS7278C-QS	71.25	33	78	20.12	4	67.25	14.634	16.634	39.42	208-240/60/1	13.7	20	NEMA 6-20P	R449A	1-1/4	1080	3.5	15	R449A	12,300	1040			
	1810	838	1981	511		1708	372	423								490					472			

• Due to continuing engineering improvements, specifications are subject to change without notice.
 Case temperature will vary if the air curtain is disrupted.



FEDERAL INDUSTRIES
 A Standex Company
 215 Federal Avenue Belleville, Wisconsin 53508-9201

Phone: 800-356-4206
Fax: 608-424-3234
Email: Geninfo@Federalind.com
Website: Federalind.com