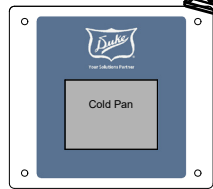
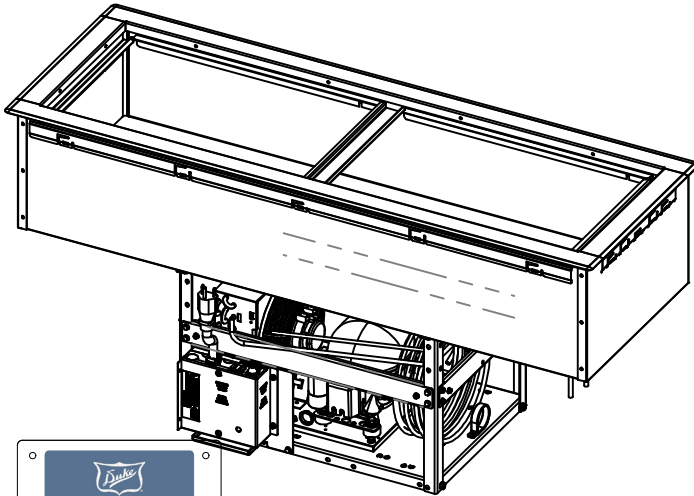




Your Solutions Partner

Specifications

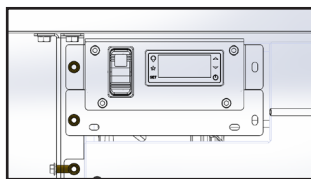
F.O.B. Sedalia, Missouri 65301



Model CP2-SL Shown with optional Hug Edge

OPTIONS:

- No-Drain (required for California)
- Basic Control
- 15° Hug Edge
- Slanted Kit
- Condensate Evaporator



Basic Control

Agency Listings:



DUKE MANUFACTURING CO.

2305 N. Broadway
 St. Louis, MO 63102
 800.735.3853 Toll Free
 314.231.5074 Fax
 www.dukemfg.com

SS- 1285 R290 Slimline Drop-In Cold Pan

Approval Stamp(s):

PRODUCT INFORMATION:

PROJECT: _____

ITEM: _____

QUANTITY: _____

MODEL:


R290 Drop In Cold Pan-Slimline

- CP1-SL Drop In, Cold Pan 1-section with drain
- CP2-SL Drop In, Cold Pan 2-section with drain
- CP3-SL Drop In, Cold Pan 3-section with drain

BODY:

- Top – heavy gauge 300 series stainless steel with 90 degree turndown
- Overhang on front, back and ends w/locking tabs
- Vinyl foam gasket as sealant
- 300 Series stainless steel cold pan liner
- Product recessed 3/4" below top
- High density CFC free polyurethane foam insulation (zero global warming potential (GWP), & zero ozone depletion potential (ODP))
- Stainless steel louvered grille
- 1" cast brass drain and plug
- Removable stainless brackets 3/4" below top
- Heavy gauge paint grip steel exterior housing

FEATURES:

- **NSF 7 approved**
- Standard food pan - 12 x 20
- Will also accommodate 1/2 and 1/3rd size pans
- Capacity: 1-3 section units
- Accepts up to 6" deep full size food pans
- Refrigerant – Environmentally safe R290 
- TXV control for optimal performance
- Open suspended compressor compartment
- Copper coils attached to all sides of liner

CONTROLS

- Standard intuitive, easy to use touch screen control with 3 pre-set temperatures
- Built in WIFI and Bluetooth for future connectivity
- On/Off Switch

Specification subject to change



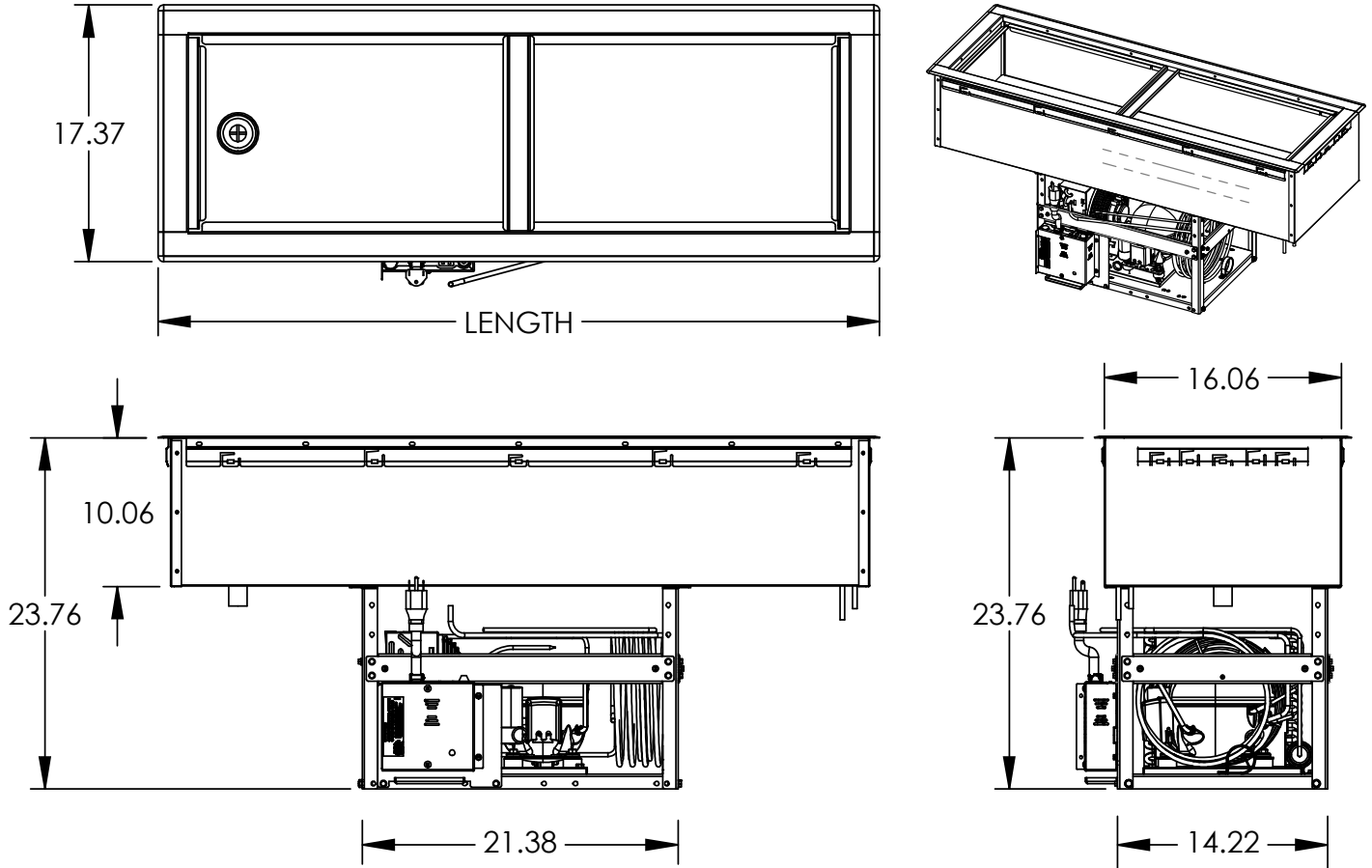
R290 Drop In Cold Pan - Slimline

Catalog No. Cold Pan

A.I.A. File No. 35-C-13

REV B 10/3/2024

R290 Drop In Cold Pan - Slimline



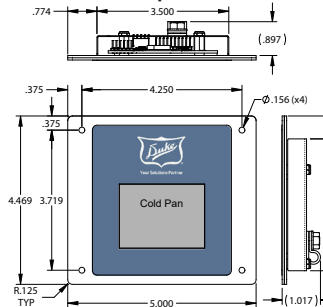
Model CP2-SL Shown with optional Hug Edge

ELECTRICAL SPECIFICATIONS:

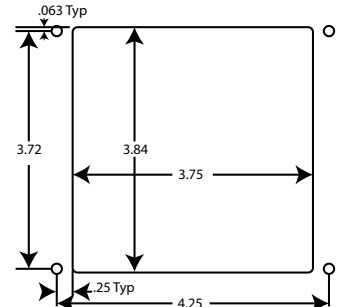
*If using optional electric condensate evaporator add 300 Watts, 2.6 Amps"

Model	120 Volt - HZ 60		
	Watts*	Amps*	NEMA
CP1-SL	528	4.4	5-15
CP2-SL	528	4.4	5-15
CP3-SL	528	4.4	5-15

Control Specifications



Control Cutout



DIMENSIONS:

Freight Class: 100

Model	Height		Length		Width		Counter Top Cutouts		R290 Grams	Cube ft. crated	Crated Ship Weight	
	in.	cm	in.	cm	in.	cm	Length	Width			lbs.	kg
CP1-SL	24.58	62.4	26.83	68.1	17.37	44.1	25.75	16.75	70	10.2	150	68.2
CP2-SL	24.58	62.4	48.83	124.0	17.37	44.1	47.75	16.75	80	20.2	165	74.84
CP3-SL	24.58	62.4	70.83	179.9	17.37	44.1	69.75	16.75	100	28.4	225	102.06

This product may be covered by one or more patents or pending patent applications. For more details, see: www.dukemfg.com/patents



Duke Manufacturing Co.
2305 N. Broadway
St. Louis, MO 63102

Phone: 314-231-1130
Toll Free: 1-800-735-3853
Fax: 314-231-5074

www.dukemfg.com