

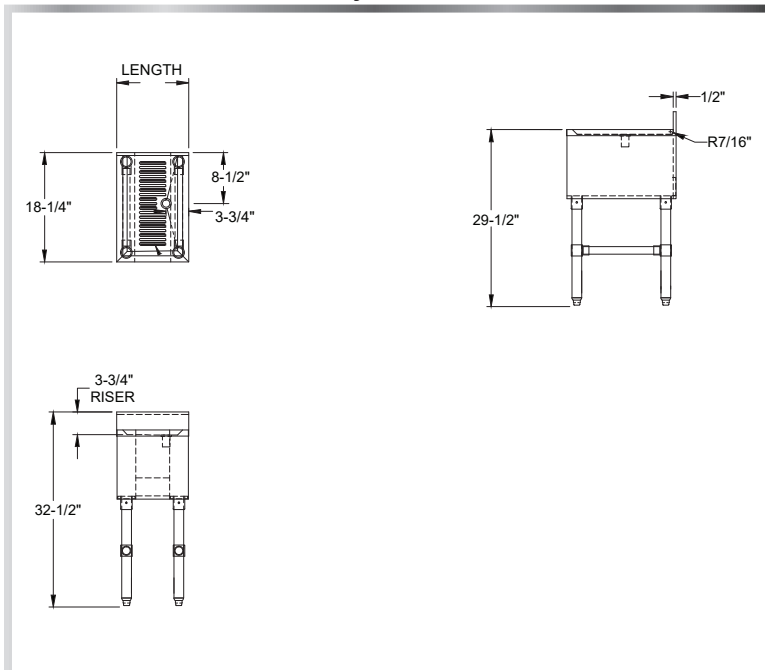
SLIM FREE-STANDING DRAINBOARD

UNDERBAR - DRAINBOARD



MATERIALS

- 18 Gauge 304 Series Stainless Steel; Fabricated
 - Stainless Steel Legs and Cross-Bracing
 - Plastic Adjustable Bullet Feet



FEATURES

- 3" Backsplash
- Stamped Ribbed Drainboard Top
- Includes Drain

| MODEL NUMBER | LENGTH | WIDTH |
|--------------|--------|---------|
| UDB-1218 | 12" | 18-1/4" |
| UDB-1221 | 12" | 21-1/4" |
| UDB-1818 | 18" | 18-1/4" |
| UDB-1821 | 18" | 21-1/4" |
| UDB-2418 | 24" | 18-1/4" |
| UDB-2421 | 24" | 21-1/4" |
| UDB-3018 | 30" | 18-1/4" |
| UDB-3021 | 30" | 21-1/4" |
| UDB-3618 | 36" | 18-1/4" |
| UDB-3621 | 36" | 21-1/4" |
| UDB-4818 | 48" | 18-1/4" |
| UDB-4821 | 48" | 21-1/4" |

(609) 642 - 8389 | SALES@NBREQUIPMENT.COM | WWW.NBREQUIPMENT.COM

NBR EQUIPMENT, 10 ABEEL ROAD, CRANBURY, NJ 08512