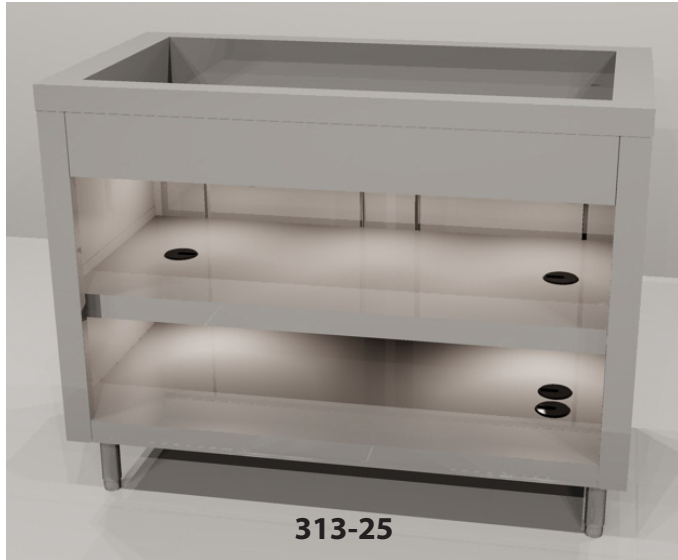




Your Solutions Partner

# Specifications

F.O.B. Sedalia, Missouri 65301



313-25

### OPTIONS:

- Sliding doors
- Door locks
- Serving shelves w/glass protector panels
- Designer Foodshields
- Trayslides
- Adapter bars
- Adapter panels
- Stainless steel carving boards
- Wood carving boards
- Kick plates
- 5" casters, 2 swivel w/locks
- Die stamped openings - 12" x 20" (Hot Food Style Top)
- Stainless steel dish shelf
- Drop brackets on tray slide
- False bottom - perforated, stainless
- 8" deep liner
- Open base - omit undershelves
- Veneered plastic laminate panels on body
- Special powder coat painted body
- Body latches

DUKE MANUFACTURING CO.

2305 N. Broadway

St. Louis, MO 63102

800.735.3853 Toll Free

314.231.5074 Fax

www.dukemfg.com

SS-1125 AeroServ Cold Pan - Ice Cooled

### Approval Stamp(s):

### PRODUCT INFORMATION:

PROJECT: \_\_\_\_\_

ITEM: \_\_\_\_\_

QUANTITY: \_\_\_\_\_

MODEL:

### AeroServ Serving Systems Cold Pan Units - Ice Cooled

- 313-25 46" length unit/40" length top surface
- 314-25 60" length unit/54" length top surface
- 325-25 74" length unit/68" length top surface

### TOP:

- 20 gauge, 300 Series stainless steel
- Cut-out, flanged down and attached to liner of cold pan

### LINER:

- 18 gauge, 300 Series stainless steel - 5" deep, 19-7/8 wide
- Insulated on all four sides and bottom
- 1" cast brass drain and plug

### BODY:

- Paint grip or stainless steel
- Choice of (12) powder coat paint colors
- Flanged or channeled edges
- Welded together with local reinforcements
- Mounted on 6" stainless steel legs with adjustable feet

### AGENCY LISTINGS:



Ice Pan Only

Specification subject to change



AEROSERV - SERVING SYSTEMS - COLD PAN UNITS - ICE COOLED

Catalog No. ASC-ICE

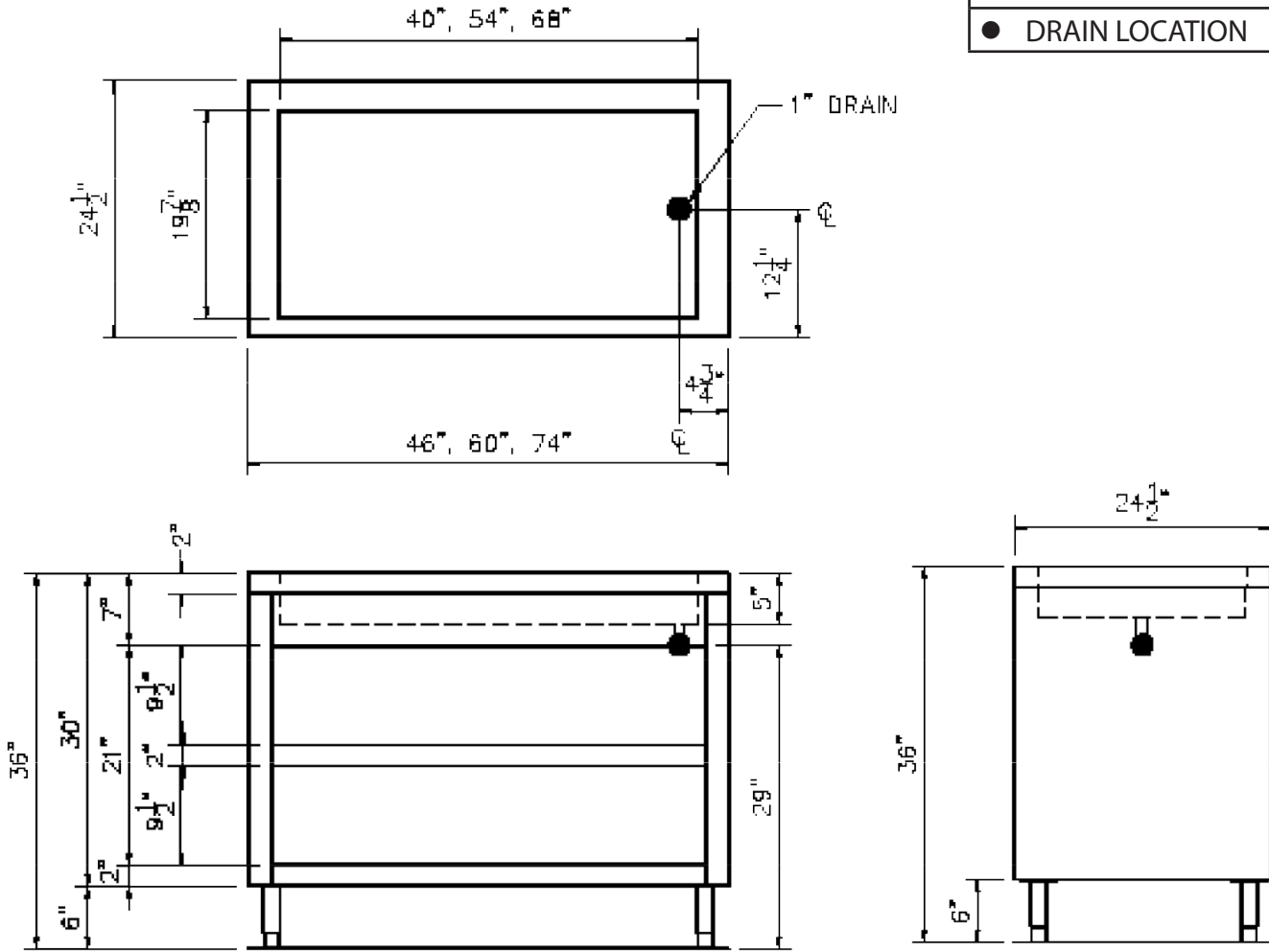
A.I.A. File No. 35-C-13

REV B 10/22/2019

# AeroServ

## COLD PAN UNITS - ICE COOLED

LEGEND	
●	DRAIN LOCATION



**DIMENSIONS:**

**Freight Class: 150**

Model	Length		Width		Height		Cube ft. crated	Weight		Cold Pan Length	
	in	cm	in	cm	in	cm		lbs	kg	in	cm
313-25	46	116.8	24-1/2	62.2	36	91.4	37.7	220	100.0	40	101.6
314-25	60	152.4	24-1/2	62.2	36	91.4	47.9	284	129.1	54	137.2
325-25	74	188.0	24-1/2	62.2	36	91.4	58.1	349	158.6	68	172.7



**Duke Manufacturing Co.**  
 2305 N. Broadway  
 St. Louis, MO 63102

Phone: 314-231-1130  
 Toll Free: 1-800-735-3853  
 Fax: 314-231-5074

[www.dukemfg.com](http://www.dukemfg.com)