

THIS DRAWING IS THE PROPERTY OF JADE RANGE LLC NO PART OF THIS DOCUMENT MAY BE COPIED OR USED WITHOUT THE WRITTEN PERMISSION.

THIS DRAWING IS A CONCEPTUAL LAYOUT, SUBJECT TO CHANGES AS THE FINAL MANUFACTURING PARTS ARE CREATED.

ITEM	QTY	MODEL #	DESCRIPTION	BTU/HR	AMP
1	1	JCS-31.5	CUSTOM TITAN CHINESE DIM SUM STEAMER	80,000	N/A

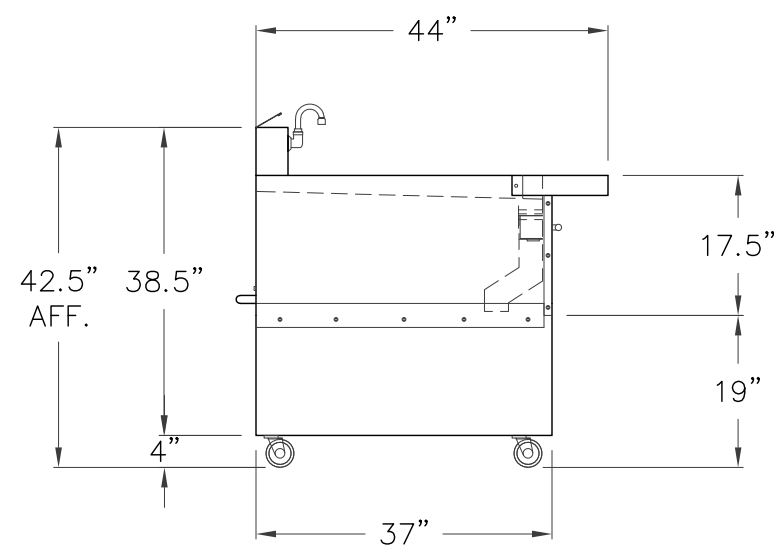
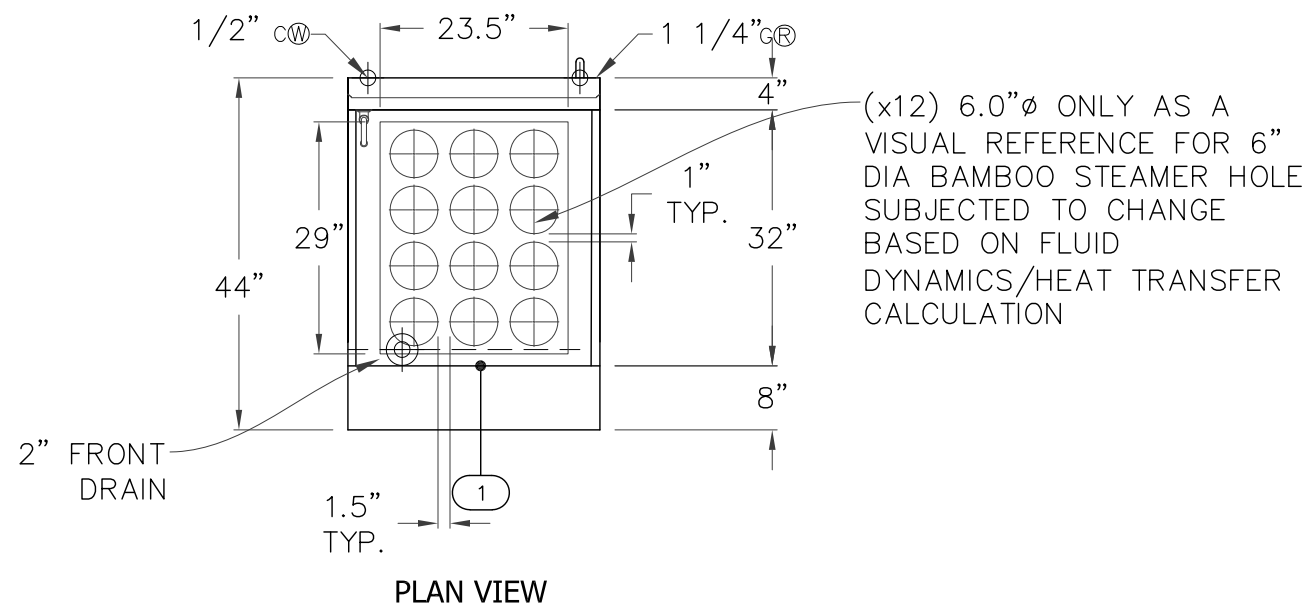
REVISIONS					
REV	DESCRIPTION	ECN	BY	DATE	APPROVED
A	INITIAL DRAWING PER REQUEST	XXX	ECS	10.03.23	
B	REVISED DRAWING PER REQUEST	XXX	ECS	09.05.24	

CHANGES TO DRAWING MAY RESULT IN CHANGES TO DELIVERY DATE & COST

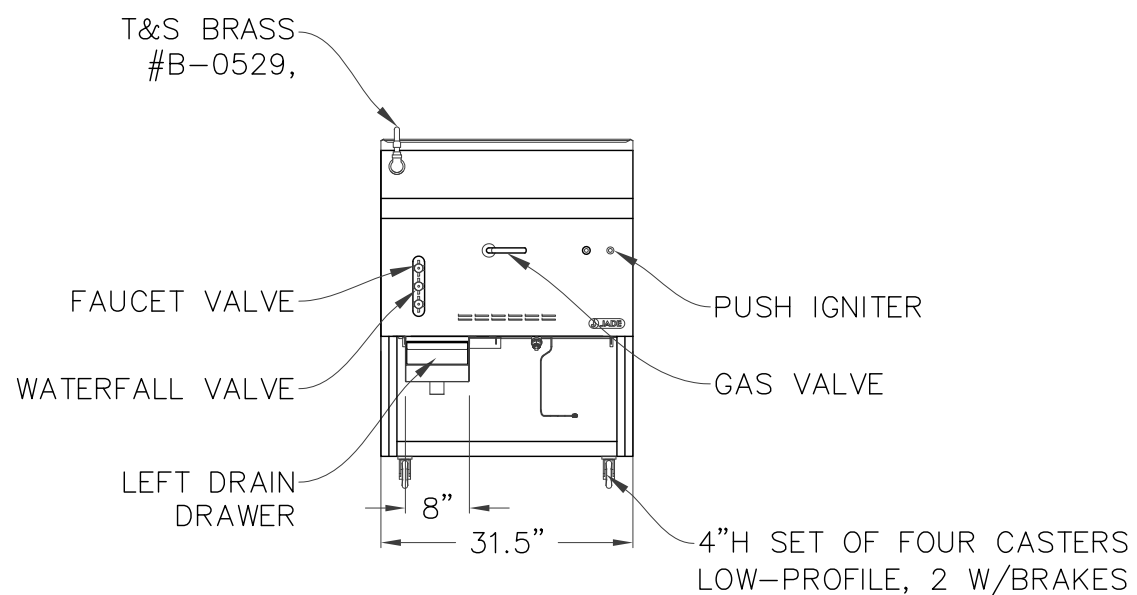
NOTE:
 • All units ship assembled unless otherwise specified. Jade Range ships salamanders and cheesemelters range mounted and line-ups & suites ship in as large of sections as possible for easier assembly onsite at the time of install.

ALL GAS REGULATORS LARGER THAN 3/4" ARE TO BE INSTALLED IN A HORIZONTAL FASHION WITH THE TOP ORIENTED UPWARDS AS PER MANUFACTURER SPECIFICATIONS. ALL GAS PRESSURE REGULATORS ARE SHIPPED LOOSE & WILL NEED TO BE INSTALLED BY CERTIFIED PLUMBER - LOCAL CODE PREVAILING

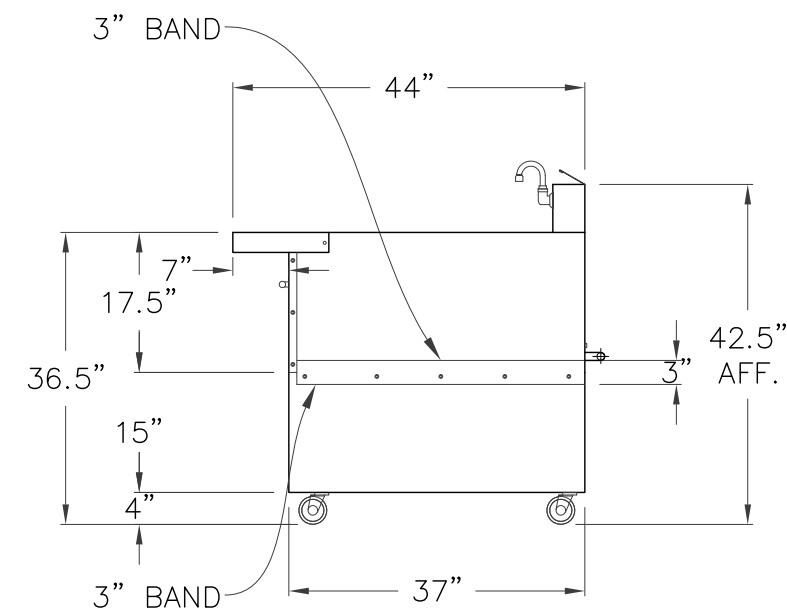
SHIPPING INSTRUCTIONS
 CUSTOMER TO ADVISE ABOUT SHIPPING SECTIONS PRIOR TO SHIPMENT. ANY ITEMS SHIPPED DISASSEMBLED FROM ORIGINAL DESIGN INTENT WILL NEED TO BE REASSEMBLED BY THE KEC AT TIME OF INSTALLATION.



SIDE VIEW



ELEVATION



SIDE VIEW

MIN 6" CLEARENCE ABOVE FLUE PEDESTALS

- 1. ⓈⓈ REGULATOR AND GAS CONNECTION
- Ⓢ ELECTRICAL CONNECTION
- Ⓢ DRAIN
- Ⓢ REFRIGERATION
- Ⓢ WATER
- 2. GAS SHUT-OFF VALVES AND CONNECTIONS SUPPLIED BY OTHERS.
- 3. ALL ELECTRICAL WORK (INSTALLATIONS AND CONNECTIONS) MUST BE PROVIDED BY OTHERS (BY CERTIFIED ELECTRICIAN)

GAS TYPE:
 ELEVATION:
 TO BE SPECIFIED BEFORE MFG.

PROJECT MANAGER: TERESA ZUNIGA



UNLESS OTHERWISE NOTED DIMENSIONS ARE IN INCHES AND TOLERANCES: .X±.125 .XX±.03 .XXX±.015. ANGLES ±1°

MATERIAL	DRAWN	ECS	10.03.23
FINISH	CHECKED		
	APPROVED		

DESC	JCS Standards (31.5")		
FOR	SIZE	DWG NO	
	B	23499B	
SCALE	1/2" = 1'-0"		SHEET 1 OF 1