



Deep Drawn 1 Compartment Drop-In Sink w/ Single Drainboard

Drop In Sinks

Certifications:



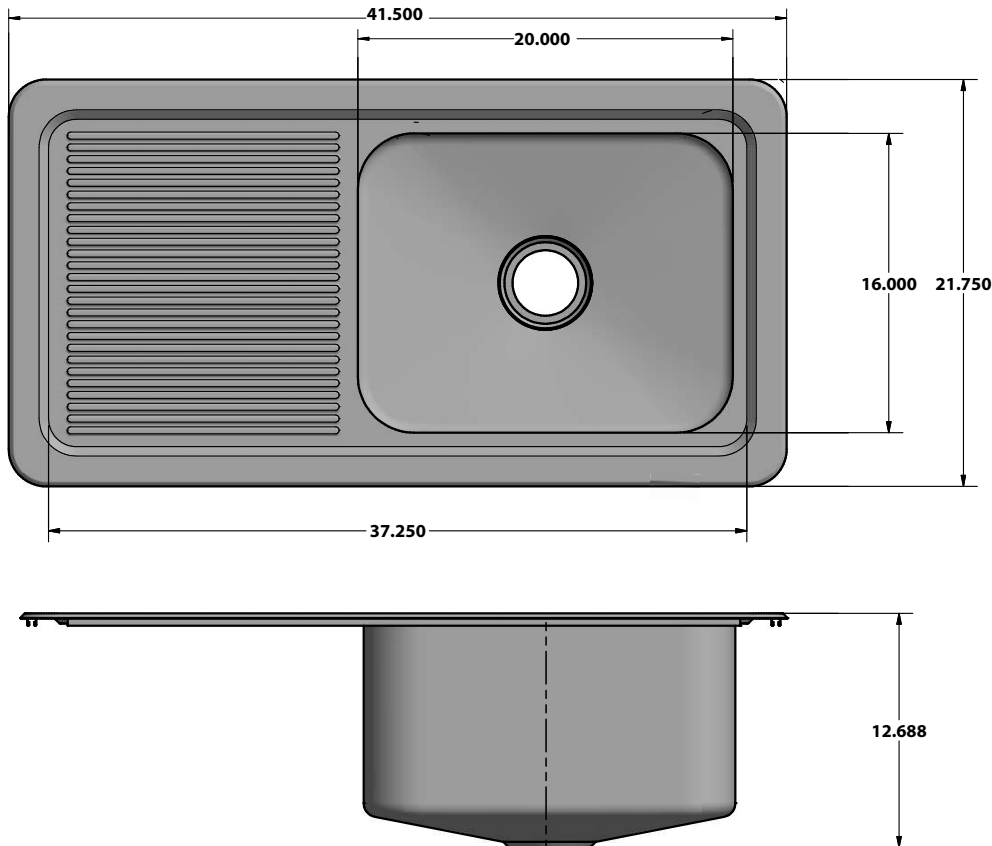
Features:

- Deep Drawn Construction for a Seamless and Appealing Design
- 18" Drainboard (left or right Depending on How You Mount It)
- Traditional Top Mount
- Includes BKDR-4 Drain

Material:

- T-304 18 ga. Stainless Steel

Part Number	Unit Size (l x w x d)	Bowl Size (l x w x d)	Product Weight (lbs)
DDI-20161224-1D	21.75" x 41.5" x 12.688" (d)	16" x 20" x 12.688" (d)	15.75



PRODUCT DATA SHEET

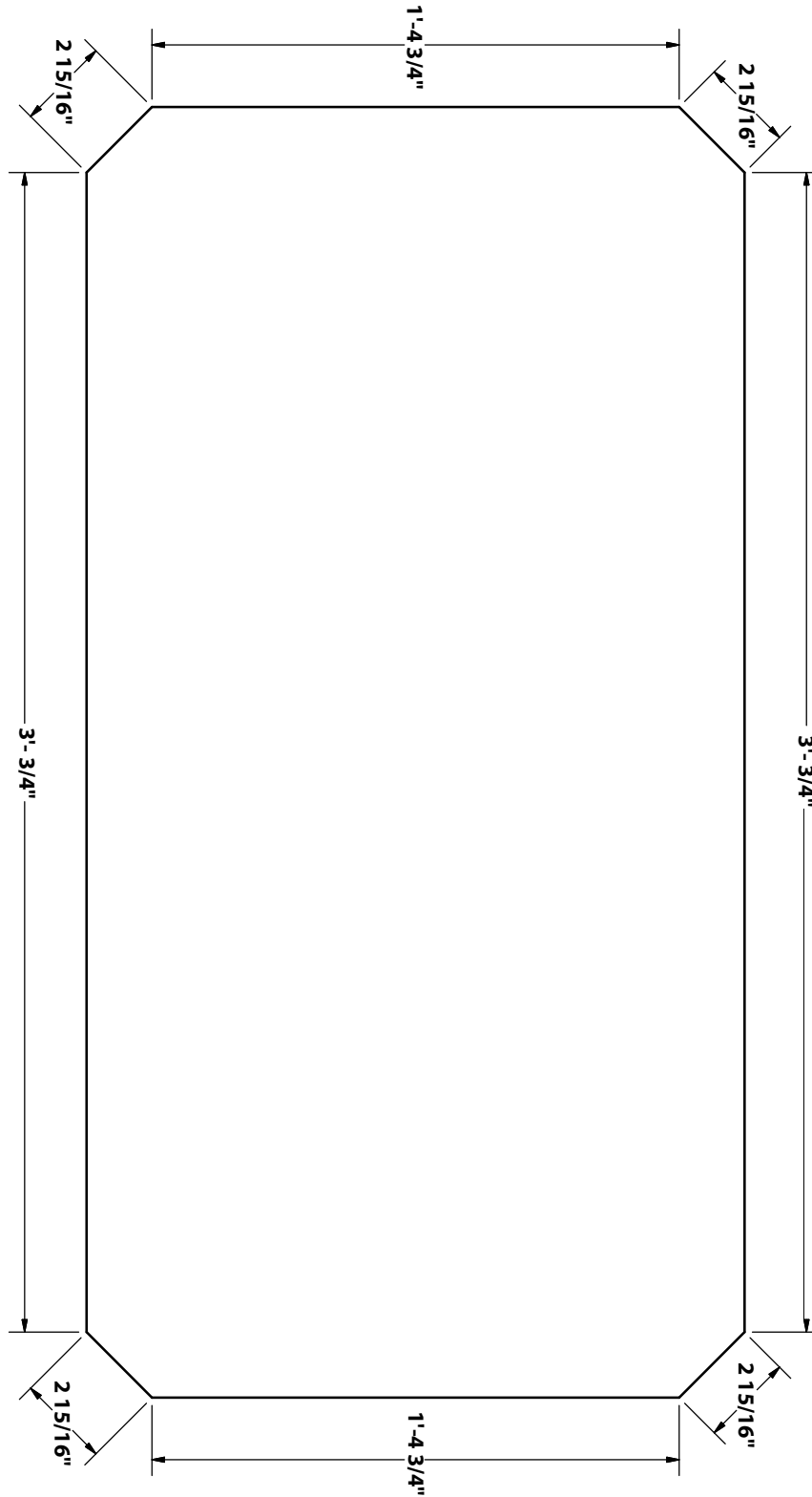
BK RESOURCES



Cutout Template for DDI-20161224-1D (Not to Scale)



Use your smart phone to scan the above QR code to visit our website:
www.bk-resources.com



PRODUCT DATA SHEET

BK RESOURCES

