

**A**ccuTemp

WORLD'S BEST  
**EVOLUTION**™  
BOILERLESS STEAMER

**PARTS MANUAL**

AT1A-3570 MODULAR BOM FOR 6 PAN STEAMERS

To build up a complete 6 pan steamer assembly BOM, begin with the desired steamer model number, created from the Steamer Model String Number Configuration (AT1T-2611), and follow steps 1 through 5.  
Example: E62083E08030200

STEP 1. MODULE, VOLTAGE WATTAGE PHASE

Using model string digits 1 through 10, locate the generic model number in the chart and find the corresponding Module, Voltage Wattage Phase (Digits 2-10).

Example:  
Generic Model No. = E62083E080XXXXX  
Voltage Wattage Phase Module No. = AT1A-3571-4

STEP 2. MODULE, COMMON COMPONENTS

Add the Module, Common Components derived from the model string digit 7 and digit 15.

Examples:  
(E62083E08030200)  
E,0 = AT1A-3572-2

STEP 3. MODULE, DOOR CONFIGURATION

Add the Module, Door Configuration derived from model string digit 13 and digit 15.

Example:  
(E62083E08030200)  
2 = AT1A-3600-1

STEP 4. MODULE, LEG CONFIGURATION

Add the Module, Leg Configuration derived from model string digit 14 and digit 15 for modification of a standard model steamer.

Example:  
(E62083E08030200)  
0 = AT1A-3500-1

NOTES:

- 1. SHEET 2 SHOWS COMPONENT AND MODULE ASSEMBLY ORIENTATIONS.

SP8014-1105

| DIGITS 1-10 GENERIC MODEL NO. | MODULE, VOLTAGE WATTAGE PHASE | DATA TAG INFORMATION  |             |            |           |
|-------------------------------|-------------------------------|-----------------------|-------------|------------|-----------|
|                               |                               | MODEL NO. DIGITS 1-10 | VOLTAGE     | AMPS       | KWATTS    |
| E62081X060XXXXX               | AT1A-3571-1                   | E62081X060            | 208         | 29         | 6         |
| E62083X060XXXXX               | AT1A-3571-2                   | E62403X080            | 208/240     | 17/19      | 6/8       |
| E62403X080XXXXX               | AT1A-3571-4                   | E62403X110            | 208/240     | 22/26      | 8/11      |
| E62403X100XXXXX               | AT1A-3571-5                   | E62403X120            | 208/240     | 25/29      | 9/12      |
| E62083X090XXXXX               | AT1A-3571-3                   | E62083X100            | 208         | 28         | 10        |
| E62083X100XXXXX               | AT1A-3571-6                   | E62083X100            | 208         | 28         | 10        |
| E62083X120XXXXX               | AT1A-3571-7                   | E62083X120            | 208         | 33         | 12        |
| E62083X150XXXXX               | AT1A-3571-8                   | E62083X150            | 208         | 42         | 15        |
| E62083X170XXXXX               | AT1A-3571-9                   | E62083X170            | 208         | 47         | 17        |
| E62301X073XXXXX               | AT1A-3571-10                  | E62301X070            | 230         | 32         | 7         |
| E62401X060XXXXX               | AT1A-3571-11                  | E62401X060            | 240         | 25         | 6         |
| E62403X060XXXXX               | AT1A-3571-12                  | E62403X060            | 240         | 15         | 6         |
| E62401X080XXXXX               | AT1A-3571-13                  | E62401X080            | 240         | 33         | 8         |
| E62403X130XXXXX               | AT1A-3571-14                  | E62403X130            | 240         | 32         | 13        |
| E63805X067XXXXX               | AT1A-3571-15                  | E65145X080            | 380/400/415 | 10/11/11   | 7.7/7.4/8 |
| E64155X080XXXXX               | AT1A-3571-16                  | E64155X110            | 380/400/415 | 14/14/15   | 9/10/11   |
| E63805X090XXXXX               | AT1A-3571-17                  | E64155X120            | 380/400/415 | 15/16/16.6 | 10/11/12  |
| E64005X110XXXXX               | AT1A-3571-18                  | E64155X130            | 380/400/415 | 17/18/19   | 11/12/13  |
| E64155X120XXXXX               | AT1A-3571-20                  | E64155X060            | 415         | 8          | 6         |
| E64403X067XXXXX               | AT1A-3571-21                  | E64803X080            | 440/480     | 9/10       | 7.7/8     |
| E64803X080XXXXX               | AT1A-3571-22                  | E64803X110            | 440/480     | 12/13      | 9/11      |
| E64403X100XXXXX               | AT1A-3571-23                  | E64803X140            | 440/480     | 16/17      | 12/14     |
| E64403X120XXXXX               |                               |                       |             |            |           |
| E64803X140XXXXX               |                               |                       |             |            |           |

| DIGIT 7,15 | COMMON COMPONENTS MODULE | MODULE DESCRIPTION               |
|------------|--------------------------|----------------------------------|
| D,0        | AT1A-3572-1              | CONNECTIONLESS                   |
| E,0        | AT1A-3572-2              | AUTO-FILL                        |
| D,1        | AT1A-3572-3              | CONNECTIONLESS + TAMPER-PROOF    |
| E,1        | AT1A-3572-4              | AUTO-FILL + DRAIN + TAMPER-PROOF |

| DIGIT 13,15 | MODULE, DOOR CONFIGURATION | MODULE DESCRIPTION & ASSEMBLY ORIENTATION |
|-------------|----------------------------|---|
| 2,0         | AT1A-3600-1                | RH STD DOOR + STD STRIKER PLT             |
| 3,0         | AT1A-3600-1                | LH STD DOOR + STD STRIKER PLT             |
| 2,1         | AT1A-3600-2                | RH TAMPER-PROOF DOOR + STD STRIKER PLT    |
| 3,1         | AT1A-3600-2                | LH TAMPER-PROOF DOOR + STD STRIKER PLT    |
| 4,0         | AT1A-3600-3                | RH HOLD OPEN DOOR + STD STRIKER PLT       |
| 5,0         | AT1A-3600-3                | LH HOLD OPEN DOOR + STD STRIKER PLT       |
| 6,0         | AT1A-3600-4                | RH STD DOOR + CRACK OPEN                  |
| 7,0         | AT1A-3600-4                | LH STD DOOR + CRACK OPEN                  |
| 8,0         | AT1A-3600-5                | RH HOLD OPEN DOOR + CRACK OPEN            |
| 9,0         | AT1A-3600-5                | LH HOLD OPEN DOOR + CRACK OPEN            |
| 6,1         | AT1A-3600-6                | RH TAMPER-PROOF DOOR + CRACK OPEN         |
| 7,1         | AT1A-3600-6                | LH TAMPER-PROOF DOOR + CRACK OPEN         |

| DIGIT 14,15 | MODULE, LEG CONFIGURATION | MODULE DESCRIPTION                           |
|-------------|---------------------------|--|
| 0,0         | AT1A-3500-1               | DRAIN PAN RAILS                              |
| 0,1         | AT1A-3500-2               | DRAIN PAN RAILS + TAMPER-PROOF SCREWS        |
| 2,0         | AT1A-3500-3               | 4" LEGS + FLANGED FEET                       |
| 2,1         | AT1A-3500-4               | 4" LEGS + FLANGED FEET + TAMPER-PROOF SCREWS |
| 3,0         | AT1A-3500-7               | 4" LEGS + FLANGED FEET + ESPEK LIFT KIT      |
| 5,0         | AT1A-3500-5               | 4" LEGS + BULLET FEET                        |
| 5,1         | AT1A-3500-6               | 4" LEGS + BULLET FEET + TAMPER-PROOF SCREWS  |

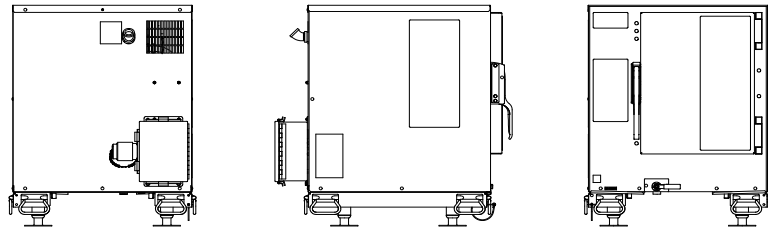
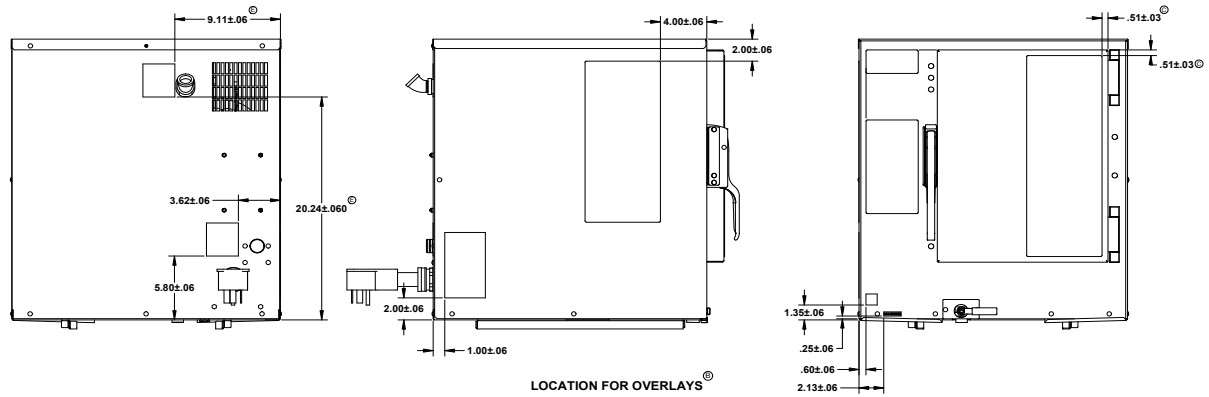
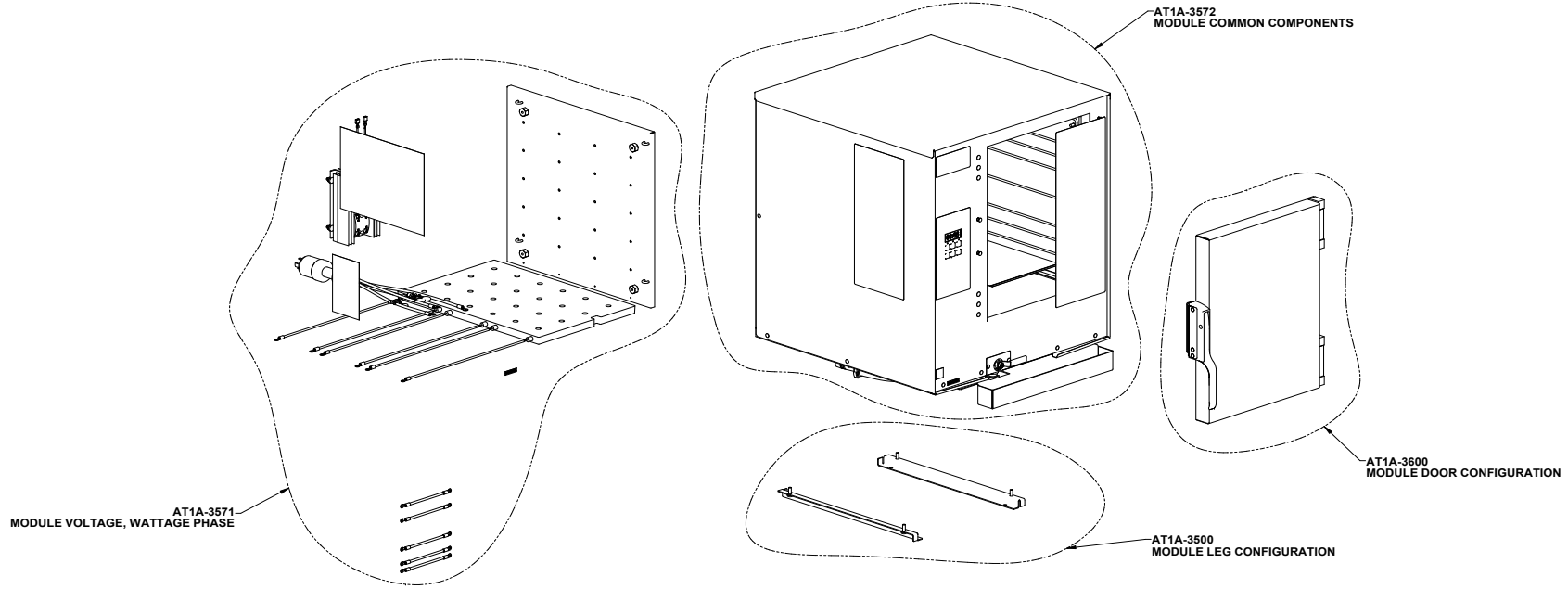
Page 2

EXAMPLE RESULT:

E62083E08030200 is made from parts and modules AT1A-3571-4 + AT1A-3572-2 + AT1A-3600-1 + AT1A-3500-1

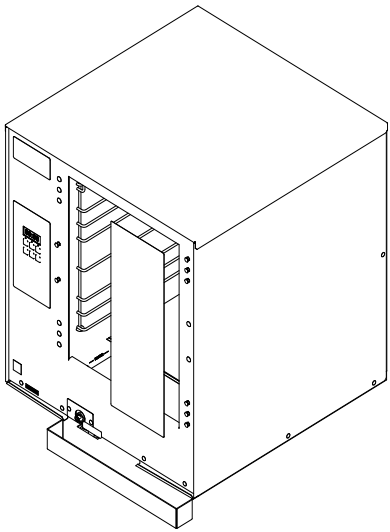
| REV | DATE     | DESCRIPTION           | BY  | CHKD |
|-----|----------|-----------------------|-----|------|
| 001 | 08-10-10 | ISSUED FOR PRODUCTION | JLW | SLB  |
| 002 | 08-10-10 | REVISION 1            | JLW | SLB  |
| 003 | 08-10-10 | REVISION 2            | JLW | SLB  |
| 004 | 08-10-10 | REVISION 3            | JLW | SLB  |
| 005 | 08-10-10 | REVISION 4            | JLW | SLB  |
| 006 | 08-10-10 | REVISION 5            | JLW | SLB  |
| 007 | 08-10-10 | REVISION 6            | JLW | SLB  |
| 008 | 08-10-10 | REVISION 7            | JLW | SLB  |
| 009 | 08-10-10 | REVISION 8            | JLW | SLB  |
| 010 | 08-10-10 | REVISION 9            | JLW | SLB  |
| 011 | 08-10-10 | REVISION 10           | JLW | SLB  |
| 012 | 08-10-10 | REVISION 11           | JLW | SLB  |
| 013 | 08-10-10 | REVISION 12           | JLW | SLB  |
| 014 | 08-10-10 | REVISION 13           | JLW | SLB  |
| 015 | 08-10-10 | REVISION 14           | JLW | SLB  |
| 016 | 08-10-10 | REVISION 15           | JLW | SLB  |
| 017 | 08-10-10 | REVISION 16           | JLW | SLB  |
| 018 | 08-10-10 | REVISION 17           | JLW | SLB  |
| 019 | 08-10-10 | REVISION 18           | JLW | SLB  |
| 020 | 08-10-10 | REVISION 19           | JLW | SLB  |
| 021 | 08-10-10 | REVISION 20           | JLW | SLB  |
| 022 | 08-10-10 | REVISION 21           | JLW | SLB  |
| 023 | 08-10-10 | REVISION 22           | JLW | SLB  |
| 024 | 08-10-10 | REVISION 23           | JLW | SLB  |
| 025 | 08-10-10 | REVISION 24           | JLW | SLB  |
| 026 | 08-10-10 | REVISION 25           | JLW | SLB  |
| 027 | 08-10-10 | REVISION 26           | JLW | SLB  |
| 028 | 08-10-10 | REVISION 27           | JLW | SLB  |
| 029 | 08-10-10 | REVISION 28           | JLW | SLB  |
| 030 | 08-10-10 | REVISION 29           | JLW | SLB  |
| 031 | 08-10-10 | REVISION 30           | JLW | SLB  |
| 032 | 08-10-10 | REVISION 31           | JLW | SLB  |
| 033 | 08-10-10 | REVISION 32           | JLW | SLB  |
| 034 | 08-10-10 | REVISION 33           | JLW | SLB  |
| 035 | 08-10-10 | REVISION 34           | JLW | SLB  |
| 036 | 08-10-10 | REVISION 35           | JLW | SLB  |
| 037 | 08-10-10 | REVISION 36           | JLW | SLB  |
| 038 | 08-10-10 | REVISION 37           | JLW | SLB  |
| 039 | 08-10-10 | REVISION 38           | JLW | SLB  |
| 040 | 08-10-10 | REVISION 39           | JLW | SLB  |
| 041 | 08-10-10 | REVISION 40           | JLW | SLB  |
| 042 | 08-10-10 | REVISION 41           | JLW | SLB  |
| 043 | 08-10-10 | REVISION 42           | JLW | SLB  |
| 044 | 08-10-10 | REVISION 43           | JLW | SLB  |
| 045 | 08-10-10 | REVISION 44           | JLW | SLB  |
| 046 | 08-10-10 | REVISION 45           | JLW | SLB  |
| 047 | 08-10-10 | REVISION 46           | JLW | SLB  |
| 048 | 08-10-10 | REVISION 47           | JLW | SLB  |
| 049 | 08-10-10 | REVISION 48           | JLW | SLB  |
| 050 | 08-10-10 | REVISION 49           | JLW | SLB  |
| 051 | 08-10-10 | REVISION 50           | JLW | SLB  |
| 052 | 08-10-10 | REVISION 51           | JLW | SLB  |
| 053 | 08-10-10 | REVISION 52           | JLW | SLB  |
| 054 | 08-10-10 | REVISION 53           | JLW | SLB  |
| 055 | 08-10-10 | REVISION 54           | JLW | SLB  |
| 056 | 08-10-10 | REVISION 55           | JLW | SLB  |
| 057 | 08-10-10 | REVISION 56           | JLW | SLB  |
| 058 | 08-10-10 | REVISION 57           | JLW | SLB  |
| 059 | 08-10-10 | REVISION 58           | JLW | SLB  |
| 060 | 08-10-10 | REVISION 59           | JLW | SLB  |
| 061 | 08-10-10 | REVISION 60           | JLW | SLB  |
| 062 | 08-10-10 | REVISION 61           | JLW | SLB  |
| 063 | 08-10-10 | REVISION 62           | JLW | SLB  |
| 064 | 08-10-10 | REVISION 63           | JLW | SLB  |
| 065 | 08-10-10 | REVISION 64           | JLW | SLB  |
| 066 | 08-10-10 | REVISION 65           | JLW | SLB  |
| 067 | 08-10-10 | REVISION 66           | JLW | SLB  |
| 068 | 08-10-10 | REVISION 67           | JLW | SLB  |
| 069 | 08-10-10 | REVISION 68           | JLW | SLB  |
| 070 | 08-10-10 | REVISION 69           | JLW | SLB  |
| 071 | 08-10-10 | REVISION 70           | JLW | SLB  |
| 072 | 08-10-10 | REVISION 71           | JLW | SLB  |
| 073 | 08-10-10 | REVISION 72           | JLW | SLB  |
| 074 | 08-10-10 | REVISION 73           | JLW | SLB  |
| 075 | 08-10-10 | REVISION 74           | JLW | SLB  |
| 076 | 08-10-10 | REVISION 75           | JLW | SLB  |
| 077 | 08-10-10 | REVISION 76           | JLW | SLB  |
| 078 | 08-10-10 | REVISION 77           | JLW | SLB  |
| 079 | 08-10-10 | REVISION 78           | JLW | SLB  |
| 080 | 08-10-10 | REVISION 79           | JLW | SLB  |
| 081 | 08-10-10 | REVISION 80           | JLW | SLB  |
| 082 | 08-10-10 | REVISION 81           | JLW | SLB  |
| 083 | 08-10-10 | REVISION 82           | JLW | SLB  |
| 084 | 08-10-10 | REVISION 83           | JLW | SLB  |
| 085 | 08-10-10 | REVISION 84           | JLW | SLB  |
| 086 | 08-10-10 | REVISION 85           | JLW | SLB  |
| 087 | 08-10-10 | REVISION 86           | JLW | SLB  |
| 088 | 08-10-10 | REVISION 87           | JLW | SLB  |
| 089 | 08-10-10 | REVISION 88           | JLW | SLB  |
| 090 | 08-10-10 | REVISION 89           | JLW | SLB  |
| 091 | 08-10-10 | REVISION 90           | JLW | SLB  |
| 092 | 08-10-10 | REVISION 91           | JLW | SLB  |
| 093 | 08-10-10 | REVISION 92           | JLW | SLB  |
| 094 | 08-10-10 | REVISION 93           | JLW | SLB  |
| 095 | 08-10-10 | REVISION 94           | JLW | SLB  |
| 096 | 08-10-10 | REVISION 95           | JLW | SLB  |
| 097 | 08-10-10 | REVISION 96           | JLW | SLB  |
| 098 | 08-10-10 | REVISION 97           | JLW | SLB  |
| 099 | 08-10-10 | REVISION 98           | JLW | SLB  |
| 100 | 08-10-10 | REVISION 99           | JLW | SLB  |
| 101 | 08-10-10 | REVISION 100          | JLW | SLB  |

|                                   |                        |                                |
|-----------------------------------|------------------------|--------------------------------|
| Customer: AccuForm Products, Inc. | Name: JLW              | Date: 08-10-10                 |
| Part No: E62083E08030200          | Quantity: 1            | Drawn By: JLW                  |
| Project No: 400                   | Project Date: 08-10-10 | Project Name: BOM, 6 PAN FINAL |
| 110 # 000                         | 110 # 000              | 110 # 000                      |
| Scale: 1:1                        | Scale: 1:1             | Scale: 1:1                     |
| Drawn By: JLW                     | Checked By: SLB        | Drawn Date: 08-10-10           |
| Rev: E                            | Rev: E                 | Rev: E                         |
| Scale: 1:1                        | Scale: 1:1             | Scale: 1:1                     |
| Sheet 1 of 2                      | Sheet 1 of 2           | Sheet 1 of 2                   |



ESPEK STEAMER PACKAGE - TYPICAL

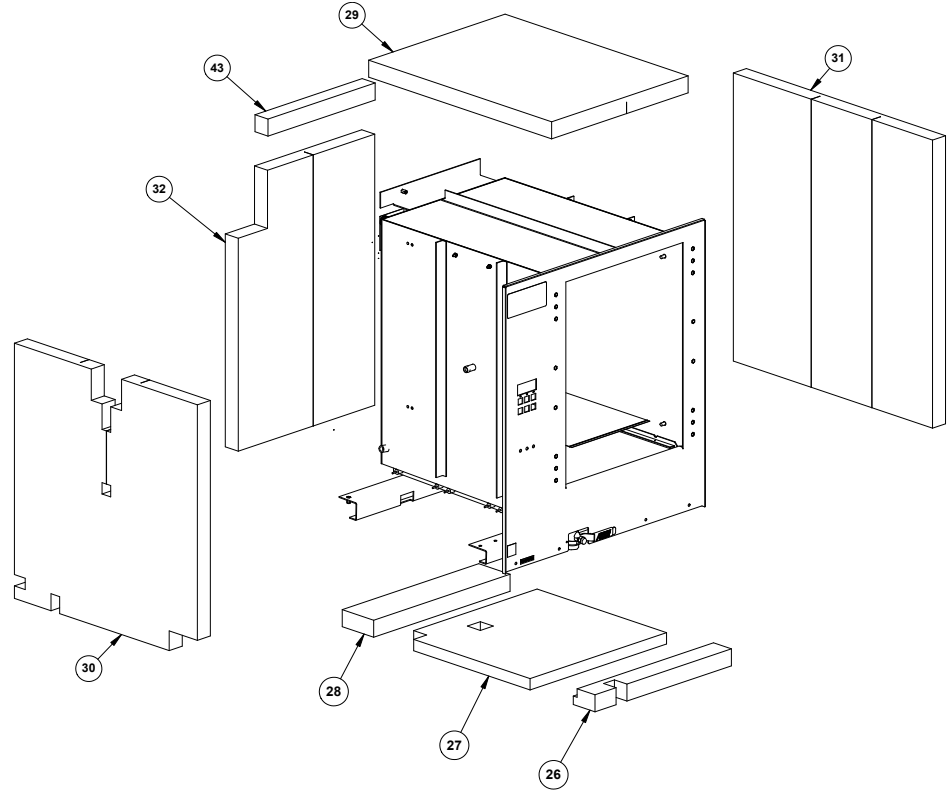
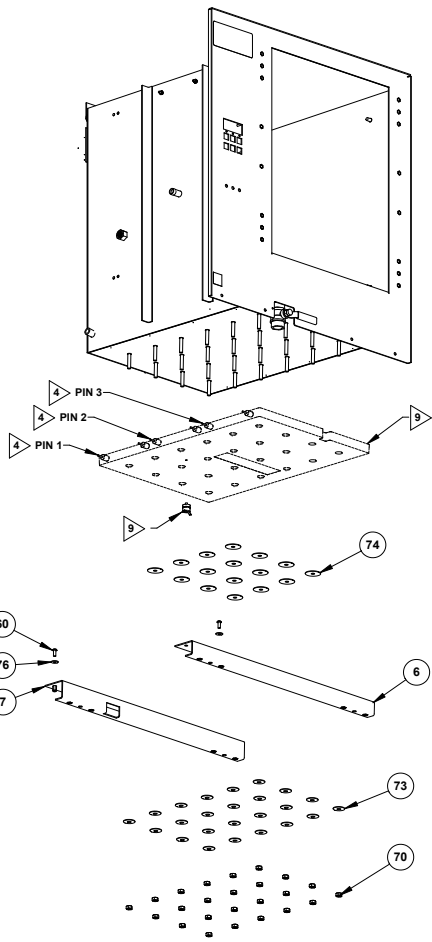
| Class                | Revision | Name        | Date | AccuTemp Products, Inc. |
|----------------------|----------|-------------|------|-------------------------|
| Standard             | 10"      | Design      | MM   | 2015                    |
| Production           | 1"       | Checked     | MM   | 2015                    |
| Project              | 1"       | Project Eng | MM   | 2015                    |
| 1.13                 | 8/2015   | 1725        | MM   | 2015                    |
| Comments:            |          |             |      | Finish                  |
| Do Not Scale Drawing |          |             |      | NA                      |
| Scale: 1:1           |          |             |      | 445                     |
| BOM, 6 PAN FINAL     |          |             |      | Sheet 2 of 2            |
| E AT1A-3570 E        |          |             |      |                         |



|                 |    |    |    |     |                 |   |
|-----------------|----|----|----|-----|-----------------|---|
| 3               | 3  | 3  | 3  | 106 | ATOP-2714-7     | HOSE CLAMP .500+ O.D. HOSE              |
| 1               | 1  | 1  | 1  | 105 | AT1L-3665-2     | LABEL, STEAM EXHAUST VENT               |
|                 |    |    |    | 104 |                 |   |
| 1               | 1  | 1  | 1  | 103 | ATOL-3682-1     | DECAL, ENERGY STAR                      |
| AR              | AR | AR | AR | 102 | ATOH-3065-3     | THREAD LOCKER 248                       |
| 1               | -  | 1  | -  | 101 | ATOA-2736-9     | MOV. TERMINALS ASSEMBLY                 |
| 1               | 1  | 1  | 1  | 100 | AT1L-3658-2     | OVERLAY, STEAMER CLEANING INSTRUCTIONS  |
|                 |    |    |    | 99  |                 |   |
| 2               | 2  | 2  | 2  | 98  | ATOF-3405-2     | WASHER, ROUND FLAT                      |
| AR              | AR | AR | AR | 97  | ATOH-3412-1     | WAKEFIELD 120 THERMAL JOINT COMPOUND    |
| 2               | 2  | 2  | 2  | 96  | ATOF-2666-10006 | WASHER, #4 INTERNAL TOOTH LOCK          |
| 1               | 1  | 1  | 1  | 95  | AT1A-3816-1     | BRACKET REAR SUPPORT ASSEMBLY           |
|                 |    |    |    | 94  |                 |   |
| 4               | 4  | 4  | 4  | 93  | ATOF-1017-41002 | NUT, #10-24UNC HEX SERRATED             |
|                 |    |    |    | 92  |                 |   |
| 1               | 1  | 1  | 1  | 91  | ATOP-3613-1     | BUSHING, 1/2 NPT X 1/4NPT HEX           |
| 1               | -  | 1  | -  | 90  | AT1L-3665-1     | LABEL, WATER BACKFLOW                   |
| 1               | 1  | 1  | 1  | 89  | AT1A-3663-1     | ENCLOSURE, STEAM COLLECTOR ASSEMBLY     |
| 1               | 1  | 1  | 1  | 88  | AT1L-3658-1     | OVERLAY, STEAMER OPERATING INSTRUCTIONS |
| 1               | 1  | 1  | 1  | 87  | ATOL-3659-1     | OVERLAY, ACCUTEMP LOGO                  |
| 1               | 1  | 1  | 1  | 86  | ATOA-3660-1     | SENSOR MAGNETIC PROXIMITY ASSEMBLY      |
| 1               | 1  | 1  | 1  | 85  | ATOE-3617-2     | SWITCH, AIR PRESSURE                    |
| 1               | 1  | 1  | 1  | 84  | AT1A-3605-1     | STEAMER WIRING HARNESS                  |
| 1               | 1  | 1  | 1  | 83  | ATOE-3625-1     | CONTROLLER, QUANTEM SERIES 130          |
| 1               | -  | 1  | -  | 82  | ATOP-2987-3     | BARBED TEE FITTING, 3/4 X 3/4 X 3/4     |
| 1               | -  | 1  | -  | 81  | ATOA-3519-2     | REED SWITCH WIRING HARNESS              |
| 2               | 2  | 2  | 2  | 80  | AT1A-3601-1     | WIRE RACK ASSEMBLY                      |
| 1               | 1  | 1  | 1  | 79  | ATOP-3811-1     | ELBOW, 45° STREET 3/4 NPT               |
| 1               | 1  | 1  | 1  | 78  | ATOP-3615-1     | ELBOW, 90° STREET 1/2 NPT               |
| 1               | 1  | 1  | 1  | 77  | AT1L-3608-1     | OVERLAY, STEAMER CONTROL PANEL          |
| 2               | 2  | 2  | 2  | 76  | ATOF-1052-41002 | WASHER #10 TYPE B PLAIN                 |
| -               | 1  | -  | 1  | 75  | ATOH-3643-1     | PLUG, DOME 1.25 DIA                     |
| 16              | 16 | 16 | 16 | 74  | ATOF-3405-1     | WASHER, ROUND FLAT                      |
| 24              | 24 | 24 | 24 | 73  | ATOF-2663-2     | WASHER, Ø.937 OD BELLEVILLE             |
| 10              | 9  | 10 | 9  | 72  | ATOF-2666-21006 | WASHER, #6 EXTERNAL TOOTH LOCK          |
| 4               | 4  | 4  | 4  | 71  | ATOF-2632-51006 | NUT, 1/4-20 ACORN                       |
| 24              | 24 | 24 | 24 | 70  | ATOF-3401-1     | NUT, SPECIAL LOCKING 1/4-20UNC-2B       |
| QTY AT1A-3572-4 |    |    |    |     | ITEM            |   |
| QTY AT1A-3572-3 |    |    |    |     | ITEM            |   |
| QTY AT1A-3572-2 |    |    |    |     | ITEM            |   |
| QTY AT1A-3572-1 |    |    |    |     | ITEM            |   |
|                 |    |    |    |     | PART NUMBER     |   |
|                 |    |    |    |     | DESCRIPTION     |   |

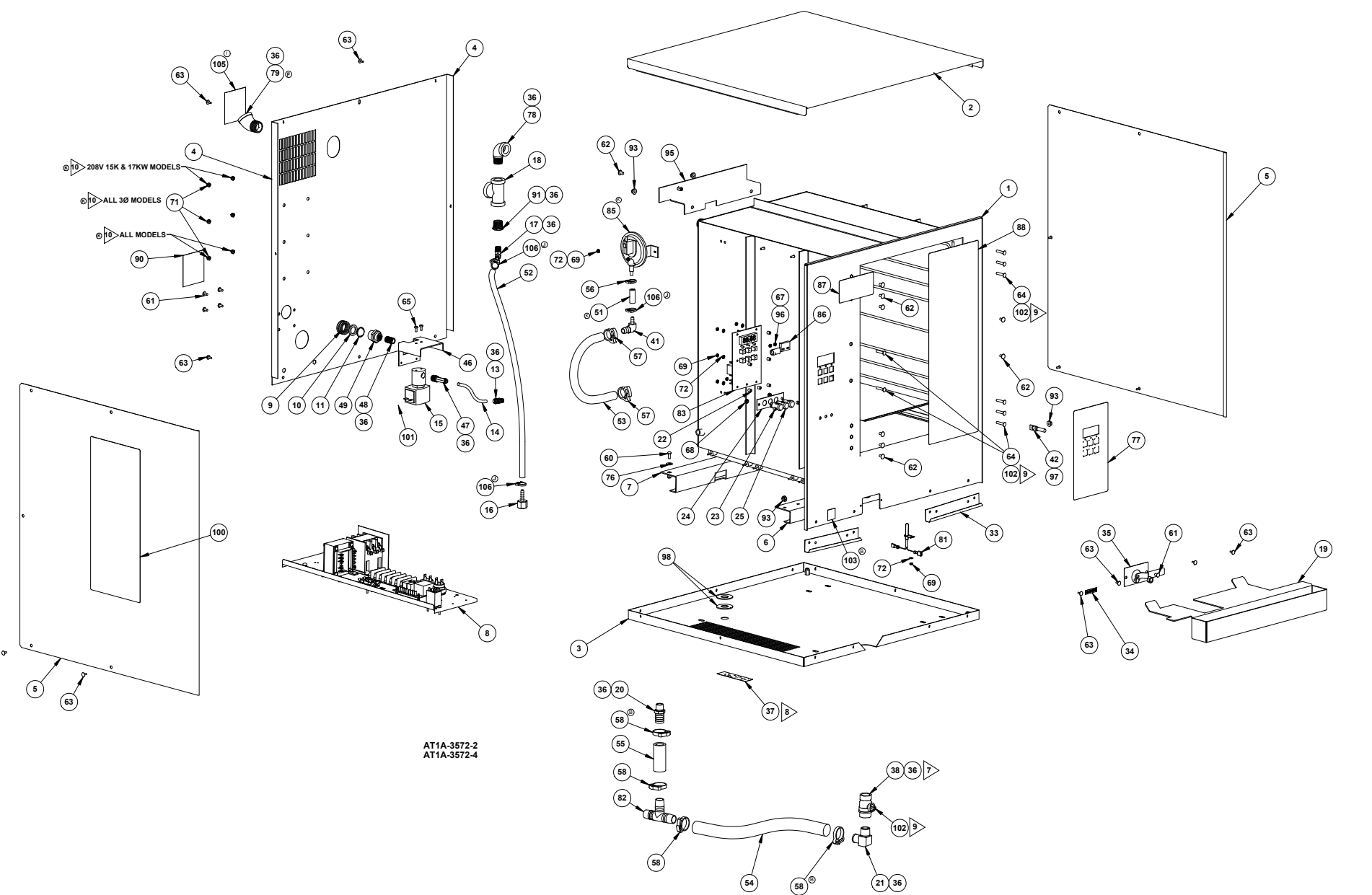
|                 |    |    |    |    |                 |   |
|-----------------|----|----|----|----|-----------------|---|
| 10              | 9  | 10 | 9  | 69 | ATOF-3621-1     | NUT, #6-32UNC-2B UNDERSIZE MACHINE SCREW HEX          |
| 2               | 2  | 2  | 2  | 68 | ATOF-2691-21002 | NUT, #6-32 NYLOC                                      |
| 2               | 2  | 2  | 2  | 67 | ATOF-2778-11002 | NUT, #4-40UNC-2B ZINC PLATED HEX MACHINE SCREW        |
|                 |    |    |    | 66 |                 |   |
| 2               | -  | 2  | -  | 65 | ATOF-3740-31035 | SCREW, #8-32 TYPE 23 X 3/8 PHLIP PAN HD               |
| 8               | 8  | -  | -  | 64 | ATOF-3480-41080 | SCREW, #10-24 X 1" DRL SPAN FLT HD MACH               |
| -               | -  | 8  | 8  | 64 | ATOF-2061-41080 | SCREW, #10-24 X 1" FLAT HD MACHINE                    |
| 15              | 15 | -  | -  | 63 | ATOF-2451-32035 | SCREW, #8 TYPE AB X 3/8 DRL SPAN PAN HD               |
| -               | -  | 15 | 15 | 63 | ATOF-2777-31030 | SCREW, #8 TYPE AB X 3/8 TRUSS HD                      |
| 9               | 9  | -  | -  | 62 | ATOF-3448-41036 | SCREW, #10-24X3/8" DRL SPAN PAN HD MACH               |
| -               | -  | 9  | 9  | 62 | ATOF-1046-41030 | SCREW, #10-24 X 3/8 PHLIP TRUSS HEAD                  |
| 6               | 2  | -  | -  | 61 | ATOF-3448-31036 | SCREW, #8-32X3/8" DRL SPAN PAN HD MACH                |
| -               | -  | 6  | 2  | 61 | ATOF-1046-31030 | SCREW, #8-32 X 3/8 PHLIP TRUSS HEAD                   |
| 2               | 2  | 2  | 2  | 60 | ATOF-2755-41042 | SCREW, #10-24UNC X 1/2 PHILIPS ROUND HEAD MACHINE     |
| 2               | 2  | 2  | 2  | 59 | AT1E-2652-1     | PROBE, WATER SENSOR                                   |
| 4               | -  | 4  | -  | 58 | ATOP-2714-3     | HOSE CLAMP 3/4" ID                                    |
| 2               | 2  | 2  | 2  | 57 | ATOP-2714-5     | HOSE CLAMP 1/2" ID                                    |
| 1               | 1  | 1  | 1  | 56 | ATOP-2714-1     | HOSE CLAMP 1/4" ID                                    |
| 1               | -  | 1  | -  | 55 | ATOP-3477-83022 | HOSE, SILICONE, BRAIDED REINFORCED 3/4" IDx 2 1/2" LG |
| 1               | -  | 1  | -  | 54 | ATOP-3477-83153 | HOSE, SILICONE, BRAIDED REINFORCED 3/4" IDx15 3/4" LG |
| 1               | 1  | 1  | 1  | 53 | ATOP-3833-63122 | SILICONE HOSE, 1/2"ID X 12.5" LG                      |
| 1               | 1  | 1  | 1  | 52 | AT1P-2555-32220 | SILICONE HOSE, 1/4"ID X 22" LG                        |
| 1               | 1  | 1  | 1  | 51 | AT1P-2555-32011 | SILICONE HOSE 1/4" ID X 1.25" LG                      |
| -               | 1  | -  | 1  | 50 | ATOP-2841-2     | HEX HEAD PLUG CORED                                   |
| 1               | -  | 1  | -  | 49 | ATOP-3430-1     | FITTING, GARDEN HOSE TO NTPF                          |
| 1               | -  | 1  | -  | 48 | ATOP-3512-12000 | NIPPLE, CLOSE, BRASS-1/4" NPT                         |
| 1               | -  | 1  | -  | 47 | ATOP-3518-1     | MALE ELBOW, 1/4" TUBE TO 1/4" NPTM                    |
| 1               | -  | 1  | -  | 46 | AT1M-3510-1     | BRACKET, WATER CONTROL VALVE                          |
| 1               | 1  | 1  | 1  | 45 | AT1A-3387-2     | LOOSE PIECES, STEAMER                                 |
| -               | 1  | -  | 1  | 44 | ATOP-3613-2     | BUSHING, 3/8 NPT X 1/4NPT HEX                         |
| 1               | 1  | 1  | 1  | 43 | AT1I-2866-31    | INSULATION, BACK TOP                                  |
| 1               | 1  | 1  | 1  | 42 | ATOE-3626-1     | TEMPERATURE SENSOR, RTD                               |
| 1               | 1  | 1  | 1  | 41 | ATOP-3616-1     | ELBOW, 90° HOSE BARB 1/2 X 1/4                        |
| 1               | -  | 1  | -  | 40 | ATOP-3233-1     | FLOAT, ROUND  |
| 1               | 1  | 1  | 1  | 39 | AT1L-3357-1     | LABEL, SERIAL NUMBER DATA                             |
| 1               | 1  | 1  | 1  | 38 | AT1P-2239-1     | BALL VALVE  |
| 1               | 1  | 1  | 1  | 37 | AT1L-2624-1     | LABEL, STEAMER LEGS                                   |
| AR              | AR | AR | AR | 36 | ATOH-3102-1     | PIPE THREAD SEALANT                                   |
| 1               | 1  | 1  | 1  | 35 | AT1M-3348-1     | COVER, STEAMER DRAIN                                  |
| 1               | 1  | 1  | 1  | 34 | AT1L-3369-1     | LABEL, SERIAL NUMBER                                  |
| 2               | 2  | 2  | 2  | 33 | AT1M-2573-3     | DRIP EDGE   |
| 1               | 1  | 1  | 1  | 32 | AT1I-2866-27    | INSULATION, BACK WALLS                                |
| 1               | 1  | 1  | 1  | 31 | AT1I-2866-23    | INSULATION, RIGHT SIDE                                |
| 1               | 1  | 1  | 1  | 30 | AT1I-2866-29    | INSULATION, LEFT SIDE WALLS                           |
| 1               | 1  | 1  | 1  | 29 | AT1I-2866-28    | INSULATION, TOP                                       |
| 1               | 1  | 1  | 1  | 28 | AT1I-2866-26    | INSULATION, BOTTOM BACK                               |
| 1               | 1  | 1  | 1  | 27 | AT1I-2866-25    | INSULATION, BOTTOM MIDDLE                             |
| 1               | 1  | 1  | 1  | 26 | AT1I-2866-24    | INSULATION, BOTTOM FRONT                              |
| 3               | 3  | 3  | 3  | 25 | ATOE-1800-2     | INDICATOR LAMP RED LED 28V                            |
| 1               | 1  | 1  | 1  | 24 | AT1M-3607-1     | BRACKET, INDICATOR LAMP                               |
| 2               | 2  | 2  | 2  | 23 | ATOH-3623-2     | SPACER, ROUND CLEAR HOLE                              |
| 7               | 7  | 7  | 7  | 22 | ATOH-3623-1     | SPACER, ROUND CLEAR HOLE                              |
| 1               | -  | 1  | -  | 21 | ATOP-3481-1     | ELBOW, 90° NPT TO BEADED HOSE BARB                    |
| 1               | -  | 1  | -  | 20 | ATOP-2618-4     | FITTING, 3/8" NPT TO 3/4" HOSE BARB                   |
| 1               | -  | 1  | -  | 19 | AT1M-3521-2     | TRAY, CONDENSATE                                      |
| 1               | 1  | 1  | 1  | 18 | ATOP-3614-1     | TEE, BULLHEAD 1/2 X 3/4 X 1/2 NPT                     |
| 1               | 1  | 1  | 1  | 17 | ATOP-2628-1     | ELBOW, 90° FITTING 1/4" NPTM TO 1/4" HOSE BARB        |
| 1               | 1  | 1  | 1  | 16 | ATOP-1456-3     | FITTING FEMALE 3/8 NPT X 1/4 BARB                     |
| 1               | -  | 1  | -  | 15 | ATOP-3509-2     | SOLENOID VALVE, 1/4"-24VAC                            |
| 1               | -  | 1  | -  | 14 | ATOP-3504-40060 | TUBING, PVDF, 1/4" OD X 6" LONG                       |
| 1               | -  | 1  | -  | 13 | ATOP-3495-2     | MALE CONNECTOR, 1/4" TUBE TO 1/8" NPTM                |
|                 |    |    |    | 12 |                 |   |
| 1               | -  | 1  | -  | 11 | ATOP-3499-1     | FILTER, INLET   |
| 1               | -  | 1  | -  | 10 | ATOP-3498-1     | WASHER, GARDEN HOSE                                   |
| 1               | -  | 1  | -  | 9  | ATOP-3497-1     | CAP, 3/4" GARDEN HOSE                                 |
| 1               | 1  | 1  | 1  | 8  | AT1A-3590-1     | COMPONENT BRACKET ASSY                                |
| 1               | 1  | 1  | 1  | 7  | AT1A-3610-1     | HEATER MOUNTING BRACKET ASSY                          |
| 1               | 1  | 1  | 1  | 6  | AT1A-3610-2     | HEATER MOUNTING BRACKET ASSY                          |
| 2               | 2  | 2  | 2  | 5  | AT1M-3587-1     | PANEL, SIDE   |
| 1               | 1  | 1  | 1  | 4  | AT1M-3588-1     | PANEL, BACK   |
| 1               | 1  | 1  | 1  | 3  | AT1A-3596-1     | PANEL, BOTTOM ASSEMBLY                                |
| 1               | 1  | 1  | 1  | 2  | AT1A-3629-1     | ASSEMBLY, TOP PANEL                                   |
| 1               | 1  | 1  | 1  | 1  | AT1A-3573-1     | CHAMBER WELD ASSEMBLY                                 |
| QTY AT1A-3572-4 |    |    |    |    | ITEM            |   |
| QTY AT1A-3572-3 |    |    |    |    | ITEM            |   |
| QTY AT1A-3572-2 |    |    |    |    | ITEM            |   |
| QTY AT1A-3572-1 |    |    |    |    | ITEM            |   |
|                 |    |    |    |    | PART NUMBER     |   |
|                 |    |    |    |    | DESCRIPTION     |   |

|  |             |              |   |
|--|-------------|--------------|---|
| Update electronic specifications<br>Dimensions: inches   | Name        | Date         | AccuTemp Products, Inc.<br>8614 N. Center Blvd.<br>Fort Wayne, IN 46825   |
| Revised  | Drawn       | APR 19 2024  |   |
| Revised  | Checked     | DRS 10/23/24 |   |
| Revised  | Project Eng | DRS 10/23/24 |   |
| 2 Place Decimals 4.00<br>2 Place Decimals 4.00<br>Tolerance 4.005<br>VSD Metric Inches<br>GD&T Per ANSI Y14.9M | Material    | NA           | PROJECT: 1105<br><b>MODULE 6 PAN</b><br><b>COMMON COMPONENTS</b><br>PART NUMBER: <b>E AT1A-3572</b> REV: <b>K</b> |
| Comments   | Finish      | NA           | Sheet 1 of 5  |



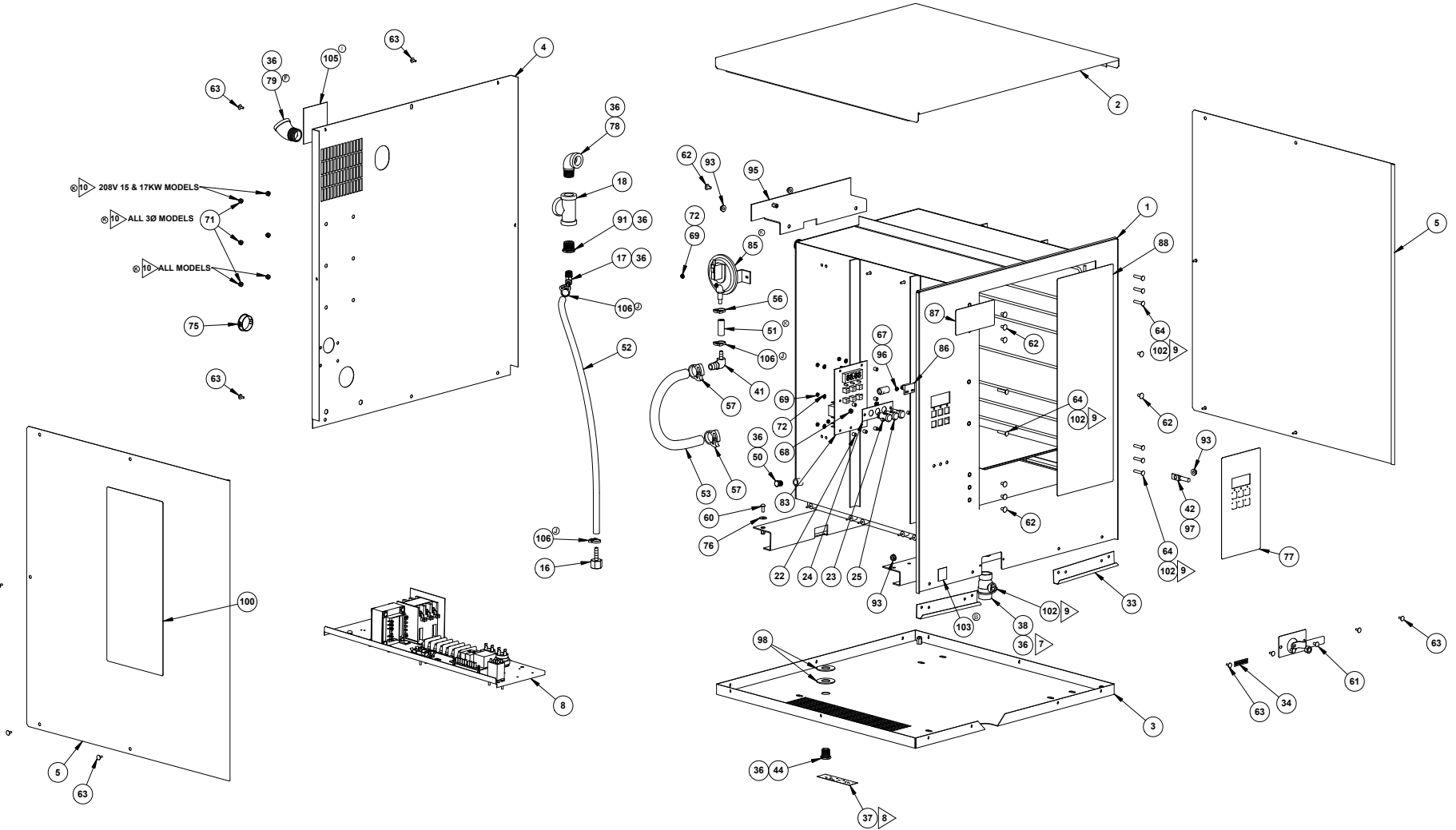
AT1A-3572-1 THRU -4  
SOME COMPONENTS REMOVE FOR CLARITY

|   |              |            |   |
|---|--------------|------------|---|
| Unless otherwise specified:<br>Dimensions: Inches<br>Tolerances:<br>Angular ±1°<br>2 Place Decimal ±.02<br>3 Place Decimal ±.005<br>1/32 ±.005<br>1/16 ±.005<br>1/8 ±.005<br>1/4 ±.005<br>3/8 ±.005<br>1/2 ±.005<br>3/4 ±.005<br>1 ±.005<br>2 ±.005<br>3 ±.005<br>4 ±.005<br>5 ±.005<br>6 ±.005<br>7 ±.005<br>8 ±.005<br>9 ±.005<br>10 ±.005<br>11 ±.005<br>12 ±.005<br>13 ±.005<br>14 ±.005<br>15 ±.005<br>16 ±.005<br>17 ±.005<br>18 ±.005<br>19 ±.005<br>20 ±.005<br>21 ±.005<br>22 ±.005<br>23 ±.005<br>24 ±.005<br>25 ±.005<br>26 ±.005<br>27 ±.005<br>28 ±.005<br>29 ±.005<br>30 ±.005<br>31 ±.005<br>32 ±.005<br>33 ±.005<br>34 ±.005<br>35 ±.005<br>36 ±.005<br>37 ±.005<br>38 ±.005<br>39 ±.005<br>40 ±.005<br>41 ±.005<br>42 ±.005<br>43 ±.005<br>44 ±.005<br>45 ±.005<br>46 ±.005<br>47 ±.005<br>48 ±.005<br>49 ±.005<br>50 ±.005<br>51 ±.005<br>52 ±.005<br>53 ±.005<br>54 ±.005<br>55 ±.005<br>56 ±.005<br>57 ±.005<br>58 ±.005<br>59 ±.005<br>60 ±.005<br>61 ±.005<br>62 ±.005<br>63 ±.005<br>64 ±.005<br>65 ±.005<br>66 ±.005<br>67 ±.005<br>68 ±.005<br>69 ±.005<br>70 ±.005<br>71 ±.005<br>72 ±.005<br>73 ±.005<br>74 ±.005<br>75 ±.005<br>76 ±.005<br>77 ±.005<br>78 ±.005<br>79 ±.005<br>80 ±.005<br>81 ±.005<br>82 ±.005<br>83 ±.005<br>84 ±.005<br>85 ±.005<br>86 ±.005<br>87 ±.005<br>88 ±.005<br>89 ±.005<br>90 ±.005<br>91 ±.005<br>92 ±.005<br>93 ±.005<br>94 ±.005<br>95 ±.005<br>96 ±.005<br>97 ±.005<br>98 ±.005<br>99 ±.005<br>100 ±.005 | Name         | Date       | AccuTemp Products, Inc.<br>3415 N. Clinton Park<br>Fort Wayne, IN 46825 |
| Drawn   | ADD          | 11/20/2011 |   |
| Checked   | SPS          | 11/20/2011 |   |
| Project Eng   | SPS          |            | <b>MODULE 6 PAN</b><br><b>COMMON COMPONENTS</b>                         |
| Rev   | N/A          |            |   |
| Size  | Comments No. | Scale      | Sheet   |
| E   | AT1A-3572    | 1:4        | K   |
| Do Not Scale Drawing  | Finish       | N/A        | Sheet 2 of 5  |



|  |  |  |   |
|--|--|--|---|
| Dimension: inches<br>Scale: 30"<br>Material: 304<br>Finish: 2 Pass Chrom<br>Weight: 1.00<br>Comments: Do Not Scale Drawing | Name: [Blank]<br>Date: [Blank]<br>Checked: [Blank]<br>Project Eng: [Blank] | Name: [Blank]<br>Date: [Blank]<br>Checked: [Blank]<br>Project Eng: [Blank] | AccuTemp Products, Inc.<br>5418 N. Clifton Park<br>Fort Wayne, IN 46825 |
| Title:   |  |  | Title:  |
| Part No:   |  |  | Part No:  |
| Description:   |  |  | Description:  |
| Comments:  |  |  | Comments:   |
| Scale: 1:1 ECH: 445  |  |  | Scale: 1:1 ECH: 445   |

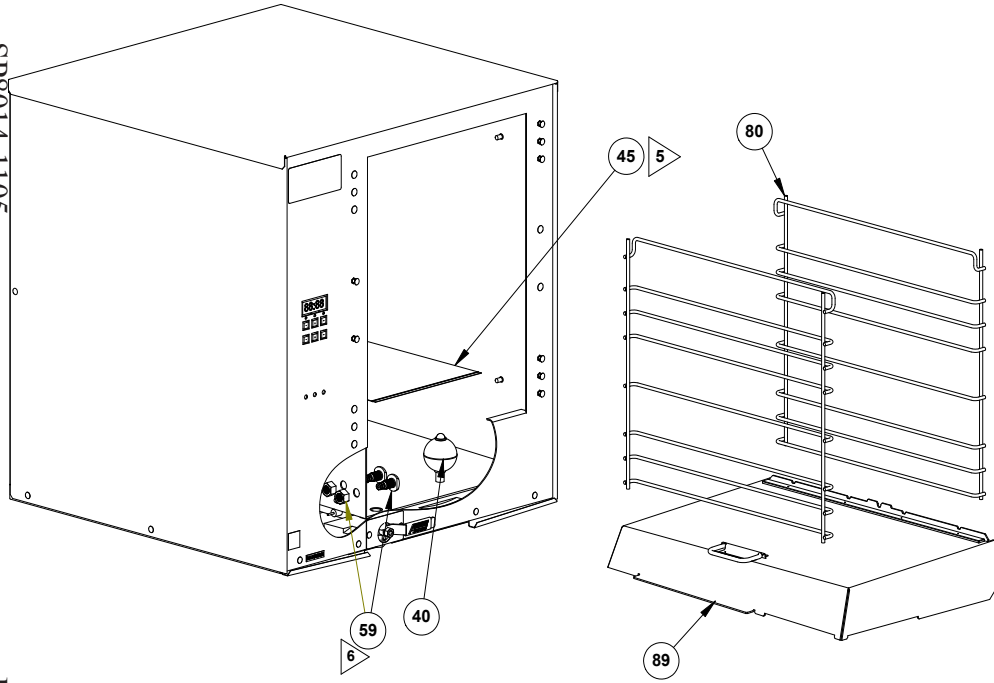
MODULE 6 PAN  
 COMMON COMPONENTS  
**E AT1A-3572 K**  
 Sheet 3 of 5




AT1A-3572-1  
AT1A-3572-3

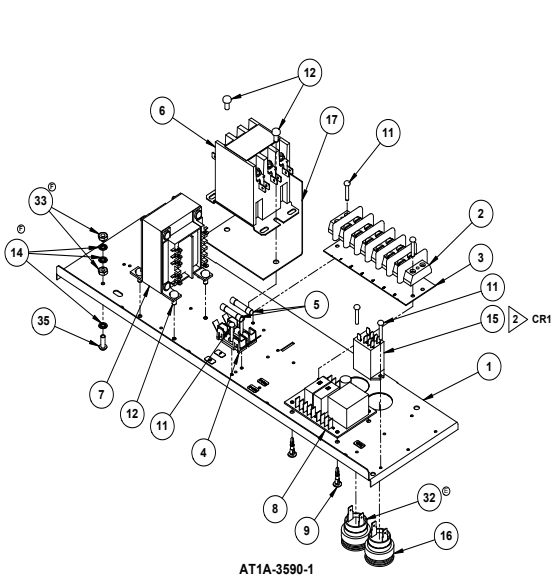
|   |   |  |   |
|---|---|--|---|
| Update alternate specified.<br>Dimensions: Inches<br>Bands: 00<br>Revision: 00<br>Appr'd: 11/21/05<br>2 Place Order # 00<br>11/21/05<br>11/21/05<br>11/21/05<br>Comments: | Name: KJH<br>Date: 11/21/05<br>Status: Approved<br>Drawn: KJH<br>Checked: GRS<br>Project Eng: GRS<br>Material: N/A<br>Finish: N/A | Date: 11/21/05<br>Status: Approved<br>Drawn: KJH<br>Checked: GRS<br>Project Eng: GRS<br>Material: N/A<br>Finish: N/A | AccuTemp Products, Inc.<br>3310 W. Gordon Park<br>Fort Wayne, IN 46825<br>Tel: 317.435.1330<br>Fax: 317.435.1330<br>E: AT1A-3572<br>K |
|---|---|--|---|

MODULE 6 PAN  
COMMON COMPONENTS  
AT1A-3572  
K

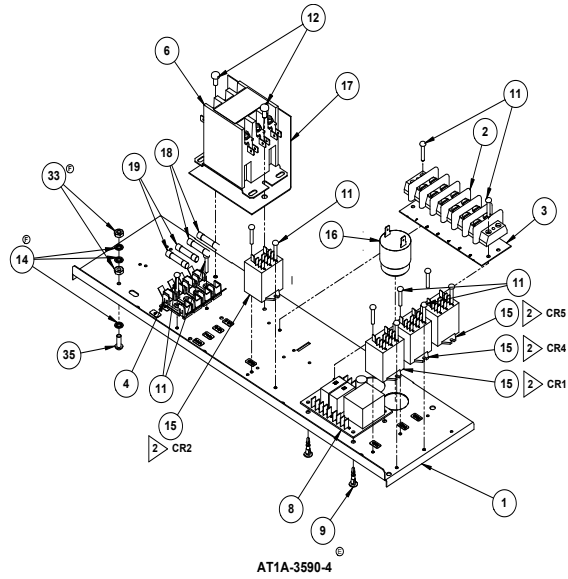


|  |             |     |             |            |   |   |
|--|-------------|-----|-------------|------------|---|---|
| (Unless otherwise specified,<br>Dimensions: Inches<br>Bend: 90°<br>Tolerances:<br>Angular ±1°<br>2 Place Decimal ±.02<br>3 Place Decimal ±.006<br>T.I.R. ±.005<br>.125 Micro Inches<br>GD&T Per ANSI Y14.5M<br>Comments:<br>Do Not Scale Drawing | Name        | ALB | Date        | 11/24/2008 |  AccuTemp Products, Inc.<br>8415 N. Clinton Park<br>Fort Wayne, IN 46825 |   |
|  | Drawn       | DPS | 11/24/2008  |            |   |   |
|  | Checked     | DPS | 11/24/2008  |            |   |   |
|  | Project Eng | DPS | 11/24/2008  |            |   |   |
|  | Material:   | N/A |             |            | <b>MODULE 6 PAN<br/>                 COMMON COMPONENTS</b>  |   |
|  | Finish:     | N/A |             |            |   |   |
|  | Size        | E   | Drawing No. | AT1A-3572  | Rev   | K |
|  | Scale:      | 1:4 | ECN:        | 445        | Sheet 5 of 5  |   |

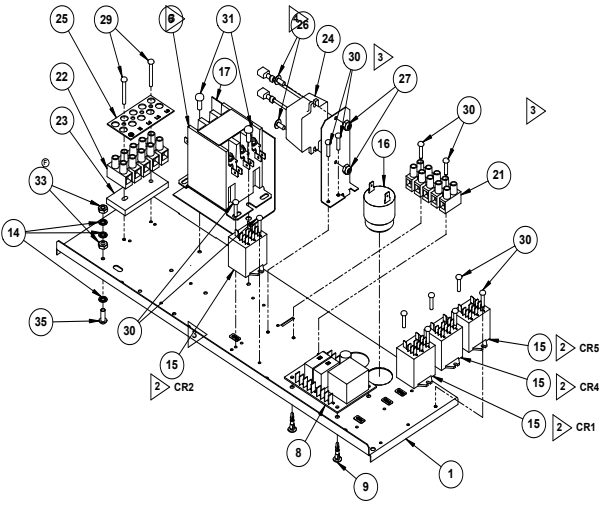




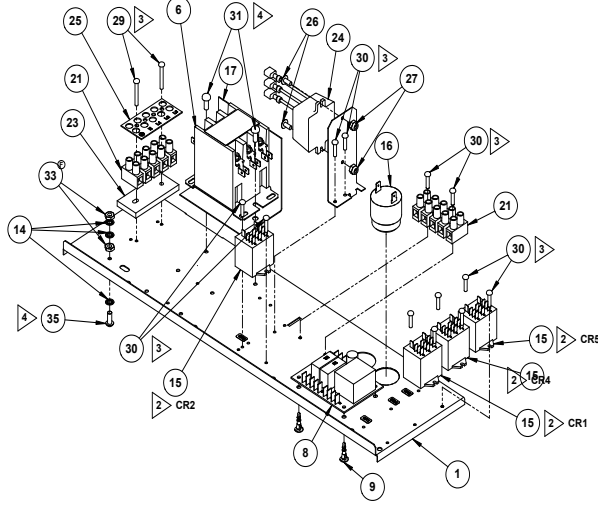
AT1A-3590-1



AT1A-3590-4



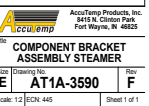
AT1A-3590-5

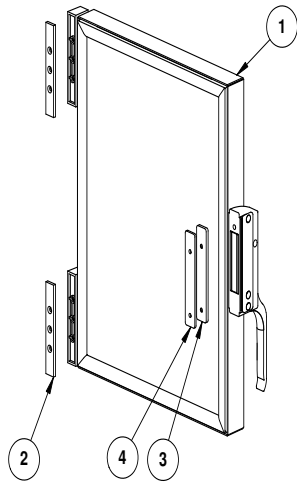


AT1A-3590-6

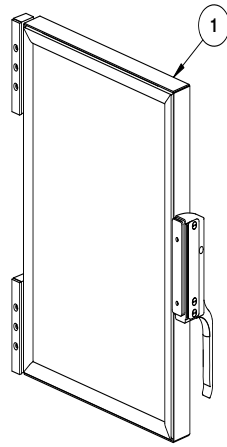
|    |    |    |   |                 |    |   |
|----|----|----|---|-----------------|----|---|
| 1  | 1  | 1  | 1 | AT0F-2755-41040 | 35 | SCREW, #10-24UNC X 1/2 PHILLIPS ROUND HEAD MACHINE  |
| 2  | 2  | 2  | 2 | AT0F-2778-41001 | 33 | NUT, #10-24UNC-2B SS HEX MACHINE SCREW              |
| -  | -  | -  | 1 | AT0E-3654-2     | 32 | ALARM, PIEZO ELECTRIC                               |
| 2  | 2  | -  | - | AT0F-3693-40040 | 31 | SCREW, #10-32UNF X 1/2" PHILLIPS PAN HEAD           |
| 12 | 12 | -  | - | AT0F-3693-21050 | 30 | SCREW, #6-32UNC X 5/8" PHILLIPS PAN HEAD            |
| 2  | 2  | -  | - | AT0F-3693-21090 | 29 | SCREW, #6-32UNC X 1 1/8" PHILLIPS PAN HEAD          |
| 4  | 4  | -  | - | AT0F-2691-21001 | 28 | NUT, #6-32 NYLOC                                    |
| 2  | 2  | -  | - | AT0F-2691-31001 | 27 | NUT, #8-32 NYLOC                                    |
| 2  | 2  | -  | - | AT0F-1046-31030 | 26 | SCREW, #8-32 X 3/8 PHL P TRUSS HEAD                 |
| -  | 1  | -  | - | AT0L-3454-2     | 25 | LABEL, TERM BLOCK                                   |
| 1  | -  | -  | - | AT0L-3454-1     | 25 | LABEL, TERM BLOCK                                   |
| -  | 1  | -  | - | AT0A-3702-2     | 24 | ASSEMBLY, EMI FILTER                                |
| 1  | -  | -  | - | AT0A-3702-1     | 24 | ASSEMBLY, EMI FILTER                                |
| 1  | 1  | -  | - | AT0E-3482-1     | 23 | SPACER, TERMINAL BLOCK                              |
| -  | 1  | -  | - | AT0E-3453-2     | 22 | TERMINAL BLOCK, 5-POSITION 40A                      |
| 2  | 1  | -  | - | AT0E-3453-1     | 21 | TERMINAL BLOCK, 5-POSITION 32A                      |
| 1  | 1  | -  | - | AT1M-3438-1     | 20 | BRACKET, EMI MOUNTING                               |
| -  | -  | 2  | - | AT0E-2731-3     | 19 | FUSE 1/4 AMP 250V                                   |
| -  | -  | 2  | - | AT0E-2731-1     | 18 | FUSE 1/4 AMP 250V                                   |
| 1  | 1  | 1  | 1 | AT1M-3734-1     | 17 | SHIELD, CONTACTOR                                   |
| 1  | 1  | 1  | - | AT0E-3654-3     | 16 | ALARM, PIEZO ELECTRIC                               |
| -  | -  | -  | 1 | AT0E-3654-1     | 16 | ALARM, PIEZO ELECTRIC                               |
| 4  | 4  | 4  | - | AT0E-2825-4     | 15 | GENERAL PURPOSE RELAY 208/240V                      |
| -  | -  | -  | 1 | AT0E-2825-5     | 15 | GENERAL PURPOSE RELAY 24VAC                         |
| 3  | 3  | 3  | 3 | AT0F-2666-40000 | 14 | WASHER, #10 INTERNAL TOOTH LOCK                     |
| -  | -  | -  | - | -               | 13 |   |
| -  | -  | 2  | 6 | AT0F-3620-40032 | 12 | SCREW, #10-32UNF X 3/8" SWAGEFORM PHILLIPS PAN HEAD |
| -  | -  | 12 | 6 | AT0F-3620-21052 | 11 | SCREW, #6-32UNC X 5/8" SWAGEFORM PHILLIPS PAN HEAD  |
| -  | -  | -  | - | -               | 10 |   |
| 4  | 4  | 4  | 4 | AT0H-3407-1     | 9  | C B SUPPORT, REVERSE MTG.                           |
| 1  | 1  | 1  | - | AT0E-3230-1     | 8  | PCB, DUAL PURPOSE WATER SENSOR                      |
| -  | -  | -  | 1 | AT0E-3230-2     | 8  | PCB, DUAL PURPOSE WATER SENSOR                      |
| -  | -  | -  | 1 | AT0E-2662-5     | 7  | TRANSFORMER   |
| 1  | 1  | 1  | - | AT0E-1587-1     | 6  | 3 POLE CONTACTOR                                    |
| -  | -  | -  | 1 | AT0E-1587-4     | 6  | 3 POLE CONTACTOR                                    |
| -  | -  | -  | 2 | AT0E-2731-2     | 5  | FUSE 1/4 AMP 250V                                   |
| -  | -  | 1  | - | AT0E-2708-2     | 4  | 3AG OMNI-BLOK FUSE BLOCK 4 POS                      |
| -  | -  | 1  | - | AT0E-2708-1     | 4  | 3AG OMNI-BLOK FUSE BLOCK 2 POS                      |
| -  | -  | 1  | 1 | AT0E-3062-3     | 3  | MARKER STRIP BARRIER BLOCK 6 POS                    |
| -  | -  | 1  | 1 | AT0E-1134-6     | 2  | 6 POSITION TERMINAL BLOCK                           |
| 1  | 1  | 1  | 1 | AT1M-3591-1     | 1  | COMPONENT BRACKET                                   |

| AT1A-3590-6  | AT1A-3590-5 | AT1A-3590-4 | AT1A-3590-1 | PART NUMBER  | ITEM | DESCRIPTION |
|--|-------------|-------------|-------------|--|------|-------------|
| <small>                     Unless otherwise specified:<br/>                     Dimension: inches<br/>                     Stock: 90°<br/>                     Tolerances:<br/>                     Angular: ±1°<br/>                     3 Place Decimal<br/>                     11.8 ±.015<br/>                     1/16 Micro Inches<br/>                     0.0015 Max. ANS1 Y14.5M<br/>                     Comments:<br/>                     Do Not Scale Drawing                 </small> |             |             |             |  |      |             |
| <small>                     Name: ALB<br/>                     Date: 11/20/2018<br/>                     Checked: GLS<br/>                     Project: ECU<br/>                     Material: N/A<br/>                     Finish: N/A                 </small>   |             |             |             | <small>                     Title: COMPONENT BRACKET ASSEMBLY STEAMER<br/>                     Drawing No: AT1A-3590<br/>                     Rev: F<br/>                     Scale: 1:2 (ECN: 445)                 </small> |      |             |

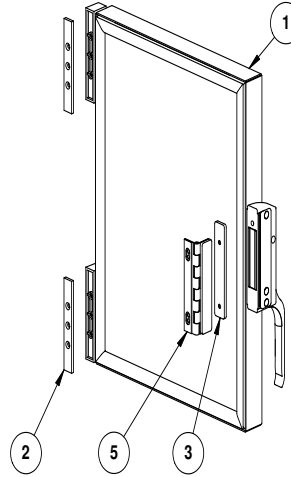




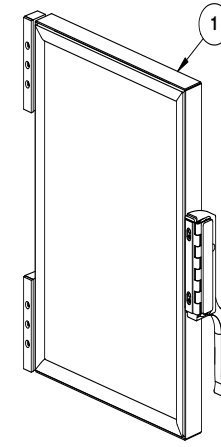
AT1A-3600-1



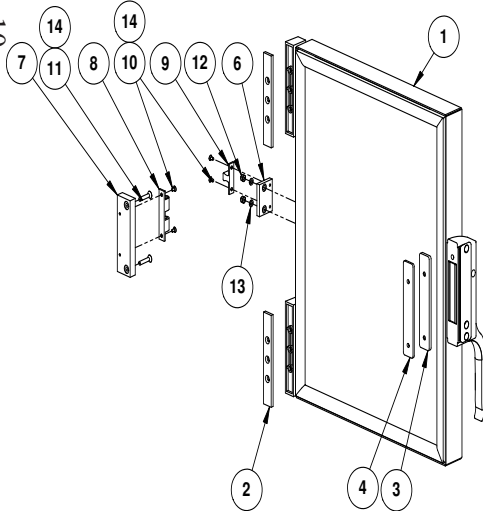
AT1A-3600-2  
OTHERWISE SAME AS AT1A-3600-1



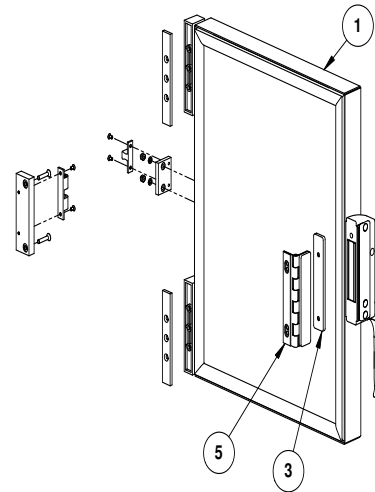
AT1A-3600-4



AT1A-3600-6  
OTHERWISE SAME AS AT1A-3600-4




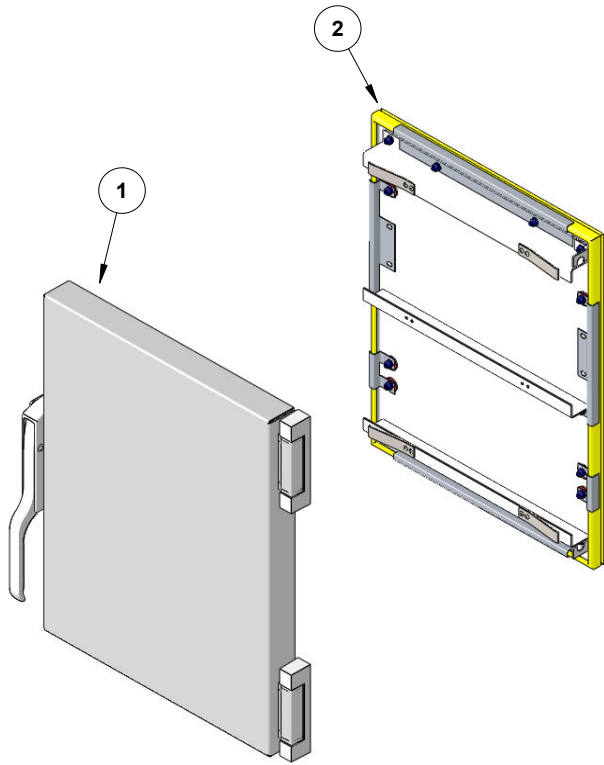
AT1A-3600-3



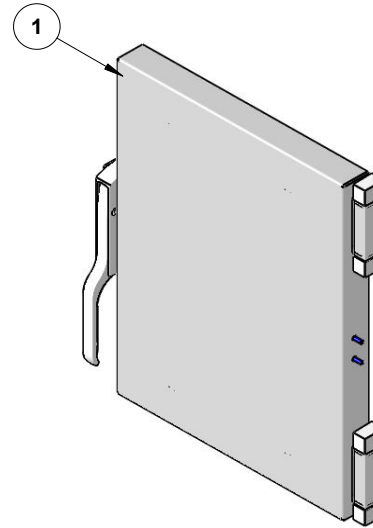
AT1A-3600-5  
OTHERWISE SAME AS AT1A-3600-3

|   |             |             |             |             |             |             |      |                 |                                       |
|---|-------------|-------------|-------------|-------------|-------------|-------------|------|-----------------|---------------------------------------|
| Ⓞ | -           | AR          | -           | AR          | -           | -           | 14   | AT0H-3065-3     | THREAD LOCKER 248                     |
| Ⓞ | -           | 2           | -           | 2           | -           | -           | 13   | AT0F-1922-40000 | WASHER, #10 SS HELICAL SPRING LOCK    |
|   | -           | 2           | -           | 2           | -           | -           | 12   | AT0F-2632-41001 | NUT, #10-24 ACORN                     |
|   | -           | 2           | -           | 2           | -           | -           | 11   | AT0F-2061-41080 | SCREW, #10-24 x 1" FLAT HD MACHINE    |
| Ⓞ | -           | 4           | -           | 4           | -           | -           | 10   | AT0F-2061-21020 | SCREW, #6-32 X 1/4" FLAT HEAD MACHINE |
|   | -           | 1           | -           | 1           | -           | -           | 9    | AT0H-3443-3     | CATCH, BALL-STYLE GRAB                |
|   | -           | 1           | -           | 1           | -           | -           | 8    | AT0H-3443-2     | CATCH, BALL-STYLE GRAB                |
|   | -           | 1           | -           | 1           | -           | -           | 7    | AT1M-3670-1     | PLATE, HOLD OPEN FRONT                |
|   | -           | 1           | -           | 1           | -           | -           | 6    | AT1M-3671-1     | PLATE, HOLD OPEN DOOR                 |
|   | 1           | 1           | 1           | -           | -           | -           | 5    | AT1A-3442-1     | CRACK OPEN HINGE ASSEMBLY             |
| Ⓞ | -           | -           | -           | 1           | 1           | 1           | 4    | AT1H-3609-J     | LATCH - SPACER                        |
| Ⓞ | 1           | 1           | 1           | 1           | 1           | 1           | 3    | AT1H-3609-H     | LATCH - STRIKE                        |
|   | 2           | 2           | 2           | 2           | 2           | 2           | 2    | AT1M-3655-1     | SPACER HINGE                          |
|   | -           | 1           | -           | 1           | -           | -           | 1    | AT1A-3645-3     | DOOR ASSEMBLY                         |
|   | 1           | -           | -           | -           | 1           | -           | 1    | AT1A-3645-2     | DOOR ASSEMBLY                         |
|   | -           | -           | 1           | -           | -           | -           | 1    | AT1A-3645-1     | DOOR ASSEMBLY                         |
|   | QTY         | QTY         | QTY         | QTY         | QTY         | QTY         | ITEM | PART NUMBER     | DESCRIPTION                           |
|   | AT1A-3600-6 | AT1A-3600-5 | AT1A-3600-4 | AT1A-3600-3 | AT1A-3600-2 | AT1A-3600-1 |      |                 |                                       |

|  |  |   |   |   |
|--|--|---|---|---|
| Unless otherwise specified:<br>Dimensions: Inches<br>Bands: 90°<br>Tolerances:<br>Angular ±1°<br>2 Place Decimal ±.02<br>3 Place Decimal ±.005<br>1/25 Micro Inches<br>GD&T Per ANSI Y14.5M<br>Comments:<br>Do Not Scale Drawing |  | Name<br>Drawn ALB 3/31/2009<br>Checked LEW 3/31/2009<br>Project Eng ALB 3/31/2009<br>Material: NA<br>Finish: NA | Date<br>3/31/2009<br>3/31/2009<br>3/31/2009 |  AccuTemp Products, Inc.<br>8415 N. Clinton Park<br>Fort Wayne, IN 46825 |
| Title:<br><b>MODULE, DOOR CONFIGURATION</b><br>Size: Drawing No.:<br><b>D AT1A-3600</b>  |  | Rev.:<br><b>E</b>   | Scale: 1:4 ECN: 445 Sheet 1 of 1            |   |




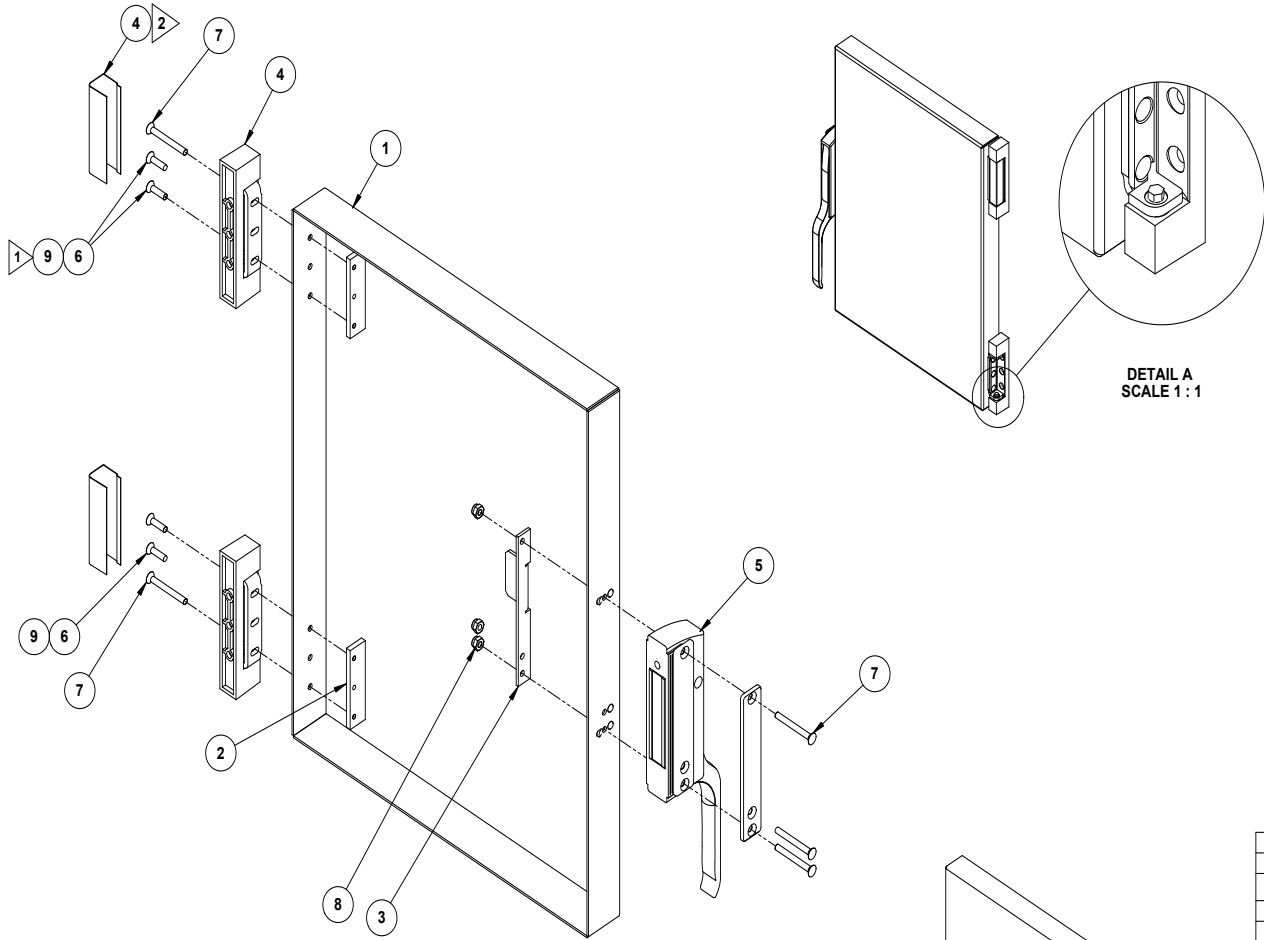
**AT1A-3645-1  
AT1A-3645-2**



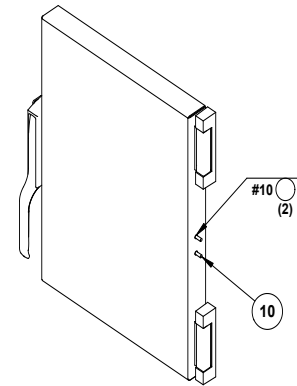
**AT1A-3645-3  
OTHERWISE SAME AS AT1A-3645-1**

|                            |                            |                            |             |                    |                     |
|----------------------------|----------------------------|----------------------------|-------------|--------------------|---------------------|
| 1                          | 1                          | 1                          | 2           | AT1A-3647-1        | INNER DOOR ASSEMBLY |
| 1                          | -                          | -                          | 1           | AT1A-3646-3        | OUTER DOOR ASSEMBLY |
| -                          | 1                          | -                          | 1           | AT1A-3646-2        | OUTER DOOR ASSEMBLY |
| -                          | -                          | 1                          | 1           | AT1A-3646-1        | OUTER DOOR ASSEMBLY |
| <b>QTY<br/>AT1A-3645-3</b> | <b>QTY<br/>AT1A-3645-2</b> | <b>QTY<br/>AT1A-3645-1</b> | <b>ITEM</b> | <b>PART NUMBER</b> | <b>DESCRIPTION</b>  |

|  |     |           |      |  |
|--|-----|-----------|------|--|
| Unless otherwise specified,<br>Dimensions: Inches<br>Bends: 90°  |     | Name      | Date |  <b>AccuTemp Products, Inc.</b><br>8415 N. Clinton Park<br>Fort Wayne, IN 46825 |
| Drawn  | ALB | 2/28/2009 |      |  |
| Checked  | LRW | 2/28/2009 |      |  |
| Project Eng  | LRW | 2/28/2009 |      |  |
| Tolerances:<br>Angular: ±1°<br>2 Place Decimal ±.02<br>3 Place Decimal ±.005<br>T.L.R. ±.005<br>±.125 Micro Inches<br>GD&T Per ANSI Y14.5M |     | Material: |      | <b>DOOR ASSEMBLY</b>   |
| Comments:<br>Do Not Scale Drawing  |     | Finish:   |      | Size: Drawing No.:<br><b>C AT1A-3645</b>   |
|  |     | N/A       |      | Rev. <b>A</b><br>Scale: 1:4 ECN: 445 Sheet 1 of 1  |



AT1A-3646-1  
AT1A-3646-2




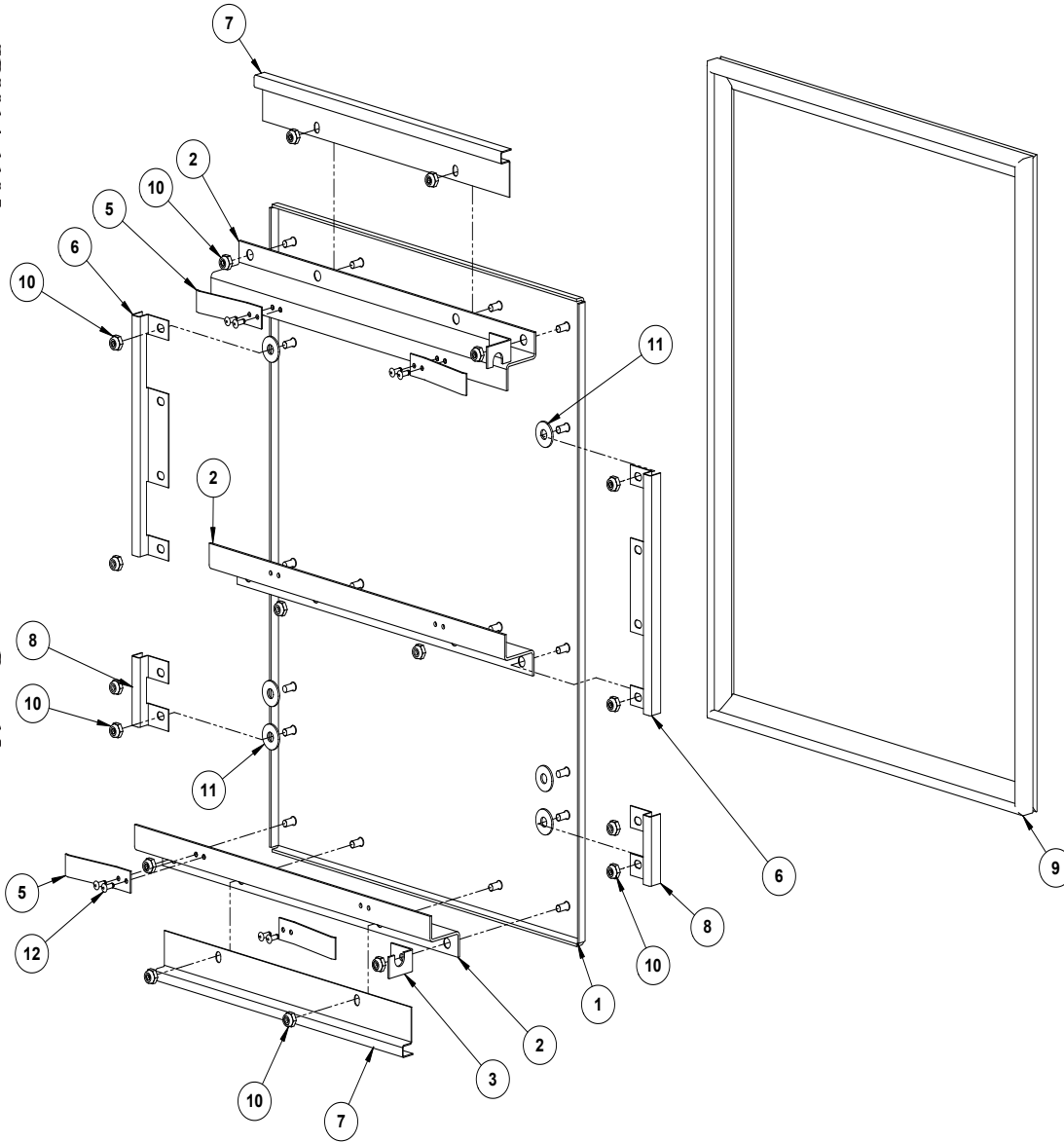
AT1A-3646-3  
OTHERWISE SAME AS AT1A-3646-1

NOTE:

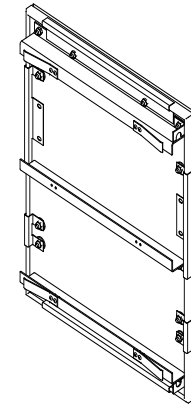
- 1 > APPLY ITEM #9 ON ITEM #6 BEFORE ANY ASSEMBLY.
- 2 > REMOVE ITEM #4 COVER FOR AT1A-2428-2

| 2           | -  | -  | 10 | AT0F-1016-41040 | #10-24 x 1/2 FL STUD THD                  |             |
|-------------|----|----|----|-----------------|---|-------------|
| AR          | AR | AR | 9  | AT0H-3065-3     | THREAD LOCKER 248                         |             |
| 3           | 3  | 3  | 8  | AT0F-2691-41011 | NUT, #10-24 WAXED NYLOC                   |             |
| -           | 5  | -  | 7  | AT0F-3480-41166 | SCREW, #10-24 x 2" DRL SPAN FLT HD MACH   |             |
| 5           | -  | 5  | 7  | AT0F-2061-41140 | SCREW, #10-24 x 1 1/4" FLAT HD MACHINE    |             |
| -           | 4  | -  | 6  | AT0F-3480-41066 | SCREW, #10-24 x 3/4" DRL SPAN FLT HD MACH |             |
| 4           | -  | 4  | 6  | AT0F-2061-41060 | SCREW, #10-24 x 3/4" FLAT HD MACHINE      |             |
| 1           | 1  | 1  | 5  | AT1H-3609-1     | LATCH HANDLE ASSEMBLY                     |             |
| 2           | 2  | 2  | 4  | AT1H-2058-3     | HINGE, STEAMER DOOR                       |             |
| 1           | 1  | 1  | 3  | AT1M-3046-1     | LATCH MOUNTING PLATE RIGHT HAND           |             |
| 2           | 2  | 2  | 2  | AT1M-2689-1     | HINGE MOUNTING PLATE                      |             |
| 1           | -  | -  | 1  | AT1M-3648-2     | OUTER DOOR PANEL                          |             |
| -           | 1  | 1  | 1  | AT1M-3648-1     | OUTER DOOR PANEL                          |             |
| QTY         | AR | AR | AR | ITEM            | PART NUMBER                               | DESCRIPTION |
| AT1A-3646-3 |    |    |    |                 |   |             |
| QTY         |    |    |    |                 |   |             |
| AT1A-3646-2 |    |    |    |                 |   |             |
| QTY         |    |    |    |                 |   |             |
| AT1A-3646-1 |    |    |    |                 |   |             |

|  |                      |      |           |   |
|--|----------------------|------|-----------|---|
| Unless otherwise specified, Dimensions: Inches |                      | Name | Date      |  AccuTemp Products, Inc.<br>8415 N. Clanton Park<br>Fort Wayne, IN 46825 |
| Bends: 90°                                     | Drawn                | ALB  | 2/27/2009 |   |
| Tolerances:                                    | Checked              | LWJ  | 2/27/2009 | <b>OUTER DOOR ASSEMBLY</b><br>Size Drawing No: <b>D AT1A-3646</b> Rev. <b>A</b><br>Scale: 1:2 ECN: 445 Sheet 1 of 1   |
| Angular: ±1°                                   | Project Eng          | LWJ  | 2/27/2009 |   |
| 2 Place Decimal ±.005                          | Material:            |      | N/A       |   |
| 3 Place Decimal ±.001                          | Finish:              |      | N/A       |   |
| T.R. ±.005                                     | Comments:            |      |           |   |
| √.02 Micro Inches                              | Do Not Scale Drawing |      |           |   |
| GD&T Per ANSI Y14.5M                           |                      |      |           |   |




AT1A-3647-1



| QTY | ITEM | PART NUMBER     | DESCRIPTION                             |
|-----|------|-----------------|---|
| 8   | 12   | AT0F-3368-2     | BLIND RIVET                             |
| 6   | 11   | AT0F-1052-51000 | WASHER 1/4 TYPE B PLAIN STAINLESS STEEL |
| 18  | 10   | AT0F-2691-41011 | NUT, #10-24 WAXED NYLOC                 |
| 1   | 9    | AT1G-2633-1     | INNER DOOR GASKET (6 PAN)               |
| 2   | 8    | AT1M-3507-1     | RETAINER, SIDE SMALL DOOR GASKET        |
| 2   | 7    | AT1M-3652-1     | RETAINER, DOOR GASKET                   |
| 2   | 6    | AT1M-3524-1     | RETAINER, SIDE DOOR GASKET              |
| 4   | 5    | AT1M-3653-1     | SPRING, INNER DOOR                      |
| 1   | 4    | AT1M-3466-2     | BRACKET, DOOR                           |
| 1   | 3    | AT1M-3466-1     | BRACKET, DOOR                           |
| 3   | 2    | AT1M-3651-1     | Z BRACKET, INNER DOOR                   |
| 1   | 1    | AT1A-3649-1     | PANEL, INNER DOOR WELDMENT              |

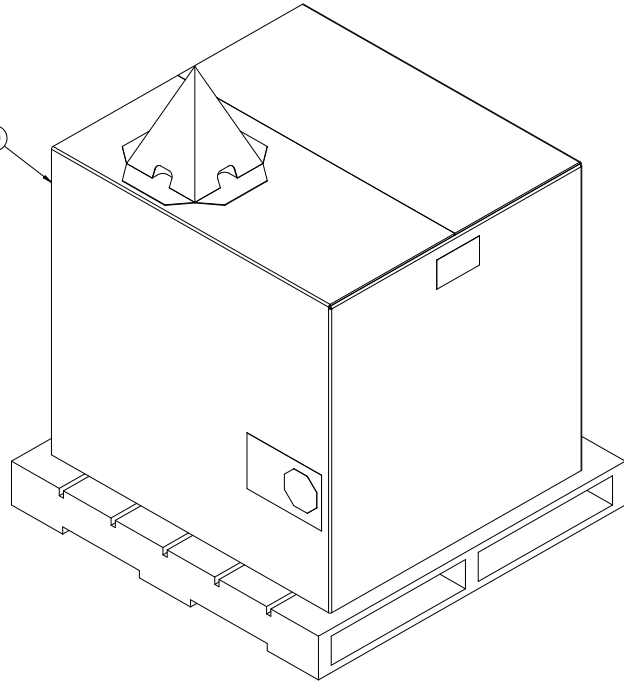
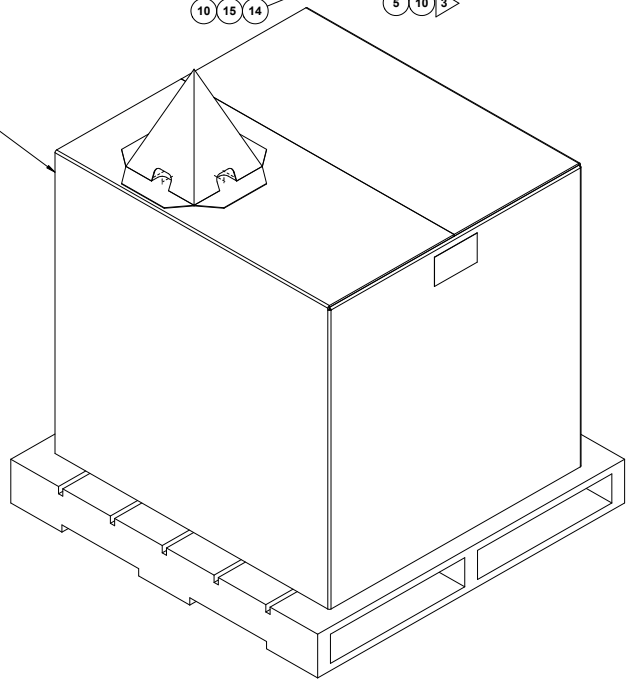
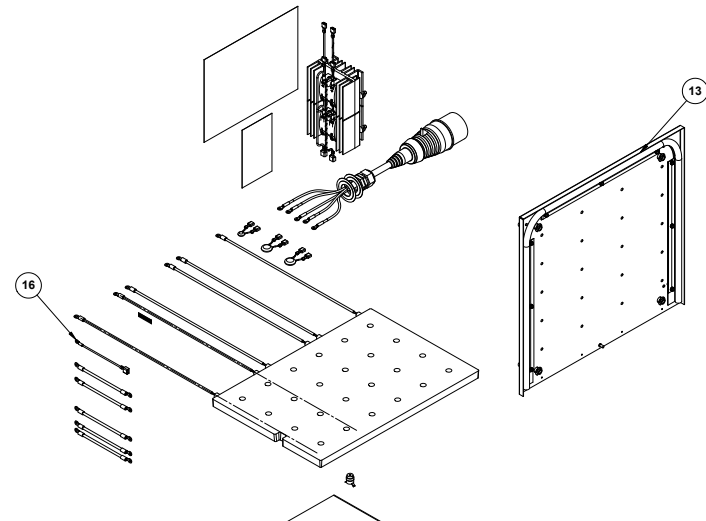
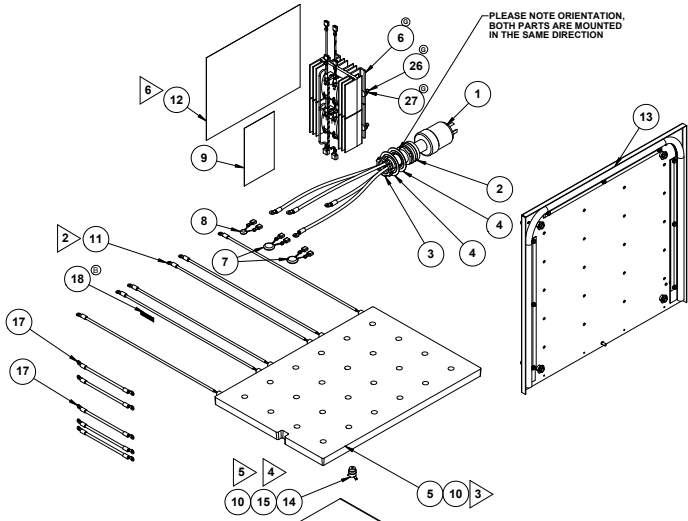
Unless otherwise specified,  
 Dimensions: Inches  
 Bends: 90°  
 Tolerances:  
 Angular: ±1°  
 2 Place Decimal: ±.02  
 3 Place Decimal: ±.005  
 T.I.R: ±.005  
 Y125 Micro Inches  
 GD&T Per ANSI Y14.5M  
 Comments:  
 Do Not Scale Drawing

|             |     |           |           |
|-------------|-----|-----------|-----------|
| Name        | ALB | Date      | 2/27/2009 |
| Checked     | LEW | 2/27/2009 |           |
| Project Eng | LEW | 2/27/2009 |           |
| Material:   | N/A |           |           |
| Finish:     | N/A |           |           |


 AccuTemp Products, Inc.  
 8415 N. Ginton Park  
 Fort Wayne, IN 46825

**INNER DOOR ASSEMBLY**  
 Size: Drawing No.: **D AT1A-3647** Rev. **A**  
 Scale: 1:2 ECN: 445 Sheet 1 of 1

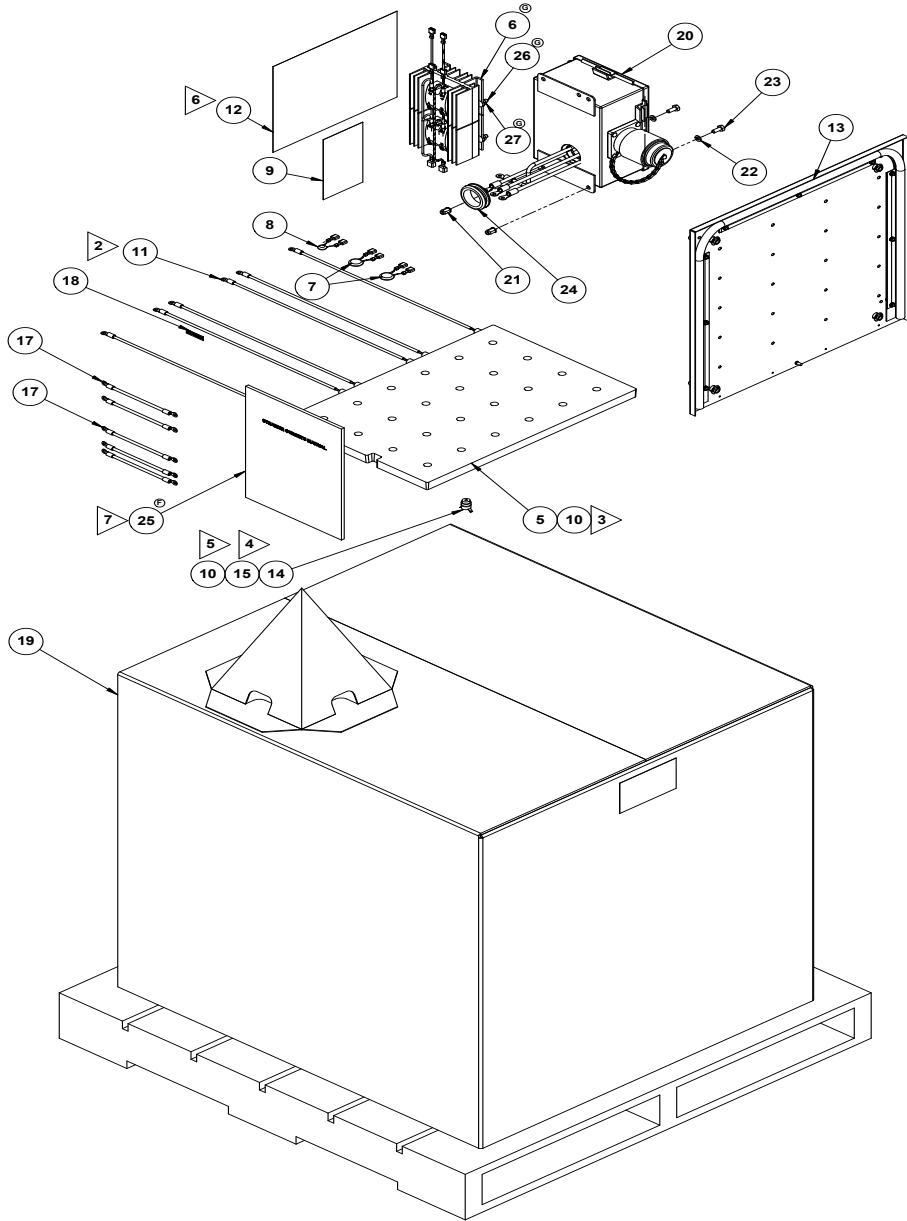





STEAMER CONFIGURATION  
GROUPS 1,2,4-9,11-14, 21-26

CONFIGURATION GROUPS 10,15-20  
OTHERWISE SAME AS GROUPS 1,2,4-9,11-14, 21-26

|  |                      |                         |   |
|--|----------------------|-------------------------|---|
| Units otherwise specified:<br>Dimensions: Inches   | Drawn: <b>AKL</b>    | Date: <b>12/2008</b>    | AccuTemp Products, Inc.<br>8419 N. Collins Park<br>Fort Wayne, IN 46825                 |
| Standard:<br>Fabrication:<br>Angular: 90°<br>2 Place Decimal<br>3 Place Decimal<br>1/16" Minimum<br>1/32" Minimum<br>0.015" Flatness<br>0.001" Flatness<br>0.001" Flatness | Checked: <b>GLS</b>  | Project Eng: <b>GLS</b> |   |
| Comments:<br>Do Not Scale Drawing  | Material: <b>N/A</b> | Project: <b>N/A</b>     | <b>MODULE, VOLTAGE</b><br><b>WATTAGE PHASE</b><br>Size: <b>E</b><br>Scale: 1:4 (CN 445) |
|  |                      | Part: <b>N/A</b>        | Rev: <b>G</b><br>Sheet 2 of 3   |



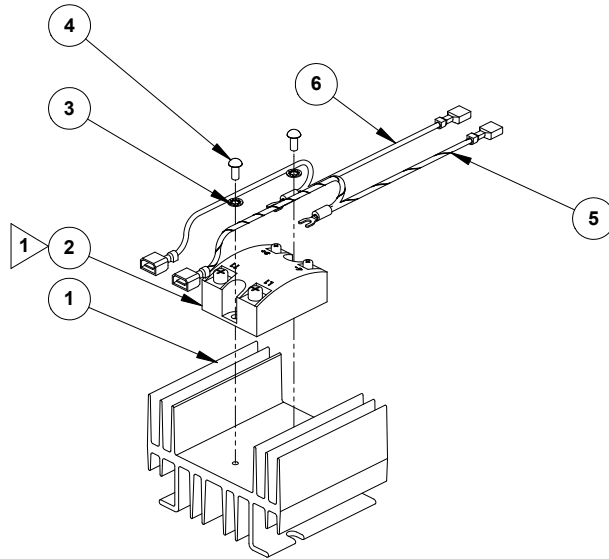
STEAMER CONFIGURATION GROUP 34

|   |              |                                 |  |
|---|--------------|---------------------------------|--|
| Unless otherwise specified:<br>Dimensions: Inches<br>Series: 90°<br>Tolerances:<br>Angular: ±1°<br>2 Place Decimal ±.02<br>3 Place Decimal ±.005<br>1:1 ±.001<br>V125 Micro Inches<br>GD&T per ANSI Y14.5M<br>Comments: | Name:        | Date:                           |  AccuTemp Products, Inc.<br>26419 N. Sunlight Plaza<br>Fort Wayne, IN 46825 |
|   | Drawn:       | ALB                             |  |
|   | Checked:     | GLS                             | 5/18/2009  |
|   | Project Eng: | GLS                             | 5/18/2009  |
|   | Material:    | N/A                             |  |
| Do Not Scale Drawing  | Finish:      | N/A                             |  |
|   | Size:        | E                               |  |
|   | Drawing No.: | MODULE VOLTAGE<br>WATTAGE PHASE |  |
|   | Scale:       | 1:4                             | ECN: 445   |
|   | Rev:         | G                               | Sheet 3 of 3   |

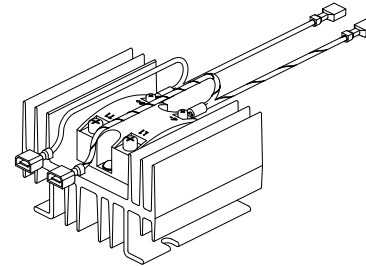


NOTES:


1 FOR SSR WITHOUT INTEGRAL HEAT SINK PAD, ADD AT0E-2996-1 PAD, SSR HEAT SINK OR HEAT SINK COMPOUND.



AT1A-3707-1



|             |      |                 |  |
|-------------|------|-----------------|--|
| 1           | 6    | AT0A-1454-14    | WIRE HARNESS ASSY, ORANGE                        |
| 1           | 5    | AT0A-1454-15    | WIRE HARNESS ASSY, WHT/BRN                       |
| 2           | 4    | AT0F-2755-31030 | SCREW, #8-32UNC X 3/8 PHILIPS ROUND HEAD MACHINE |
| 2           | 3    | AT0F-2666-30000 | WASHER, #8 INTERNAL TOOTH LOCK                   |
| 1           | 2    | AT0E-2059-3     | RELAY, SOLID STATE                               |
| 1           | 1    | AT0E-2206-3     | HEAT SINK, 3.43" LONG                            |
| AT1A-3707-1 | ITEM | PART NO.        | DESCRIPTION                                      |

|   |             |          |   |                                 |
|---|-------------|----------|---|---------------------------------|
| Unless otherwise specified,<br>Dimensions: Inches<br>Bends: 90°<br>Tolerances:<br>Angular ±1°<br>2 Place Decimal ±.02<br>3 Place Decimal ±.005<br>T.I.R ±.005<br>.125 Micro Inches<br>GD&T Per ANSI Y14.5M<br>Comments:<br>Do Not Scale Drawing | Name        | Date     |  AccuTemp Products, Inc.<br>8415 N. Clinton Park<br>Fort Wayne, IN 46825 |                                 |
|   | Drawn       | G. SEITZ |   | 12/06/09                        |
|   | Checked     | GLS      | 08/11/10  | Title:<br><b>HEAT SINK ASSY</b> |
|   | Project Eng | GLS      | 08/20/09  |                                 |
| Material:   | N/A         |          | Size: Drawing No.:  |                                 |
| Finish:   | N/A         |          | <b>C</b> <b>AT1A-3707</b>   |                                 |
| Scale: 1:1.5 ECN: 484   |             |          | Rev. <b>A</b><br>Sheet 1 of 1   |                                 |