



T&S BRASS AND BRONZE WORKS, INC.
 2 Saddleback Cove / P.O. Box 1088
 Travelers Rest, SC 29690

Model No.
B-0133-CR-B8TP

Item No.

Travelers Rest, SC: 800-476-4103 • Simi Valley, CA: 800-423-0150 • Fax: 864-834-3518 • www.tsbrass.com

This Space for Architect/Engineer Approval

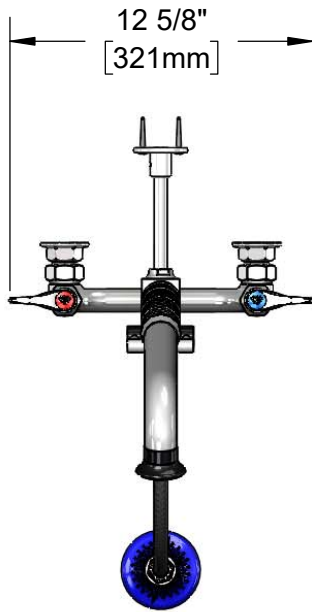
Job Name _____ Date _____

Model Specified _____ Quantity _____

Customer/Wholesaler _____

Contractor _____

Architect/Engineer _____



30" Flexible Stainless Steel
 Hose w/ Spring, Air Cylinder,
 Swivel & 1.07 GPM Sprayer

Items Not Shown
 for Clarity
 B-TEE-RGD
 Tee for Accessory
 Fittings

3/8" NPT x
 12" Riser
 EasyInstall
 Lock Nut
 & Bushing

3 11/16"
 [93mm]
 Ø2"
 [51mm]
 Flanges w/
 1/2" NPT
 Female Inlets

8"
 [203mm]
 Adjustable From
 7 3/4" to 8 1/4"
 [197mm to 210mm]

Quarter-Turn
 Cerama Cartridges w/
 Check Valves &
 Lever Handles w/
 Color Coded Indexes

17 1/8"
 [436mm]

Pull Down
 Activated Valve
 w/ Auto Shut-Off
 Upon Release

36 3/16"
 [919mm]

B-0109-01
 6" Wall
 Bracket

Mounting
 Surface

11 1/4"
 [285mm]

Product Specifications:

EasyInstall Pull-Down Pre-Rinse Unit: 8" Wall Mount Mixing Faucet, Quarter-Turn, Cerama Cartridges w/ Check Valves, Lever Handles, 12" Riser, 30" Flexible Stainless Steel Hose, 1.07 GPM Sprayer, 6" Wall Bracket & 1/2" NPT Female Inlets

Product Compliance:

ASME A112.18.1 / CSA B125.1
 NSF 61 - Section 9
 NSF 372 (Low Lead Content)
 2019 DOE PRSV - Class II



T&S BRASS AND BRONZE WORKS, INC.

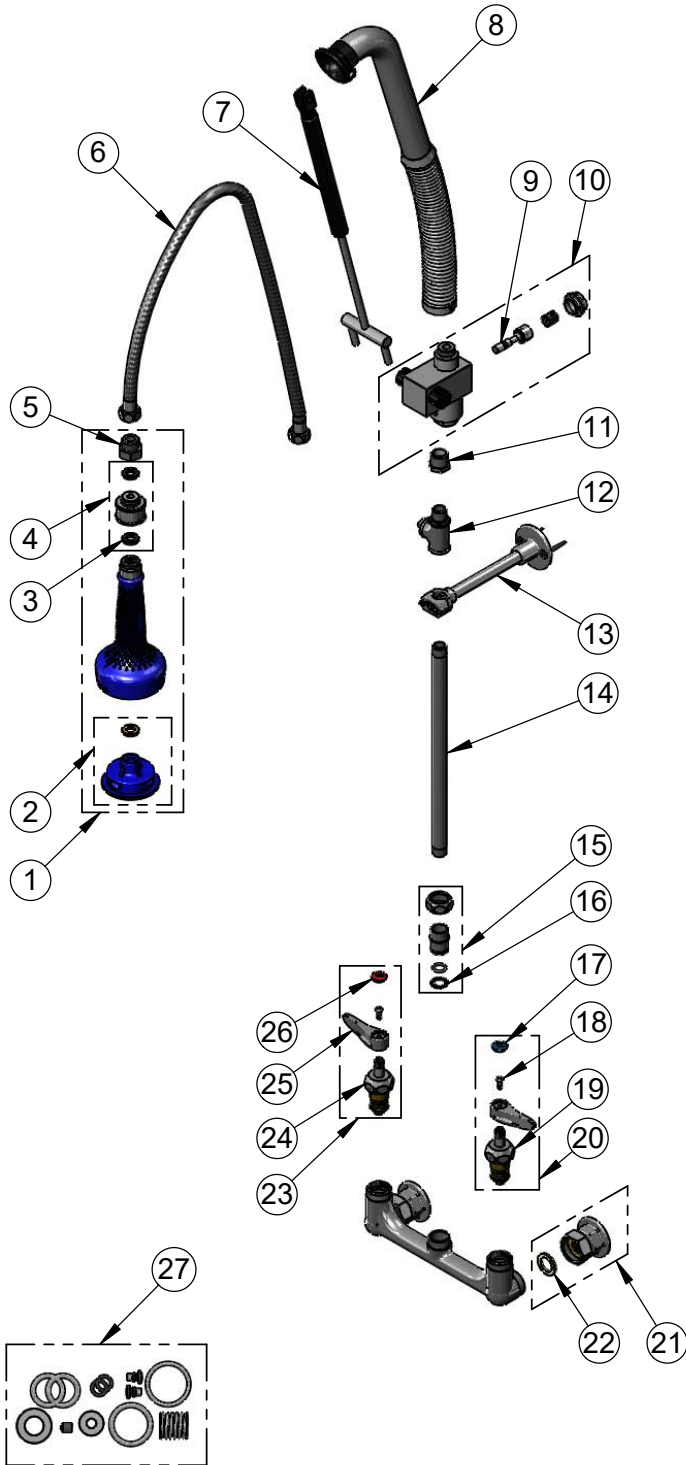
2 Saddleback Cove / P.O. Box 1088
Travelers Rest, SC 29690

Model No.

B-0133-CR-B8TP

Item No.

Travelers Rest, SC: 800-476-4103 • Simi Valley, CA: 800-423-0150 • Fax: 864-834-3518 • www.tsbrass.com



ITEM NO.	SALES NO.	DESCRIPTION
1	019898-40	1.07 GPM Sprayer w/ Swivel
2	108SF-RK	Spray Face Repair Kit
3	001014-45	Washer, B-0100 Hose Barrel
4	018200-40	3/8" NPT Live Swivel
5	005221-25	7/8"-20 x 1/2" BSPP Adapter
6	019901-45	30" Stainless Steel Braided Hose w/ 1/2" NPSM Threads
7	020062-45	Air Cylinder Repair Kit
8	020060-45	Spring & Tube Repair Kit
9	020061-45	Valve Stem Repair Kit
10	020063-45	Valve Body Repair Kit
11	001359-40	Hex Bushing, 1/2" NPT Male x 3/8" NPT Female
12	B-TEE-RGD	3/8" NPT Rigid Tee
13	B-0109-01	6" Wall Bracket
14	000366-40	Nipple, 3/8" NPT x 12"
15	EZ-K	EasyInstall Kit: Nut, Bushing, O-ring & Lock Washer
16	014200-45	Star Washer, Anti-Rotation
17	018506-19NS	Blue Button Index, Press-in
18	000925-45	Lab Handle Screw
19	012395-25NS	Quarter-Turn Cerama Cartridge w/ Check Valve, LTC
20	012447-25NS	Quarter-Turn Cerama Cartridge w/ Check Valve, Handle, Red Index & Screw, LTC
21	00AA	1/2" NPT Female Eccentric Flange
22	001019-45	Coupling Nut Washer
23	012446-25NS	Quarter-Turn Cerama Cartridge w/ Check Valve, Handle, Red Index & Screw, RTC
24	012394-25NS	Quarter-Turn Cerama Cartridge w/ Check Valve, RTC
25	001638-45NS	Lever Handle (New Style)
26	001193-19NS	Red Button Index, Press-in
27	020064-45	PRU Control Valve Seal Repair Kit

Product Specifications:

EasyInstall Pull-Down Pre-Rinse Unit: 8" Wall Mount Mixing Faucet, Quarter-Turn, Cerama Cartridges w/ Check Valves, Lever Handles, 12" Riser, 30" Flexible Stainless Steel Hose, 1.07 GPM Sprayer, 6" Wall Bracket & 1/2" NPT Female Inlets

Product Compliance:

ASME A112.18.1 / CSA B125.1
NSF 61 - Section 9
NSF 372 (Low Lead Content)
2019 DOE PRSV - Class II