

MODEL NUMBER

- DXPMMPR604M



DXPMMPR-60-4M

Model DXPMMPR604M aluminum multi-purpose transport and drying rack.

FRAME

The vertical uprights and cross bracing are 1" x 2" x .100" thick extruded aluminum channels, welded to form a rigid frame. A solid reinforced top of .080" thick aluminum sheet is welded to the cross bracing.

SHELVES

The shelves consist of extruded aluminum interlocking solid panels with 5/8" high raised guides and .090" thick walls. The guides are 1-1/2" on center to separate pans or trays inserted vertically.

PAN SUPPORTS

Each level has removable sections of 1/4" diameter chromium plated wire dividers to support the pans or trays.

CASTERS

The unit is mounted on four 5" diameter, heavy duty, swivel casters.

DIMENSIONS

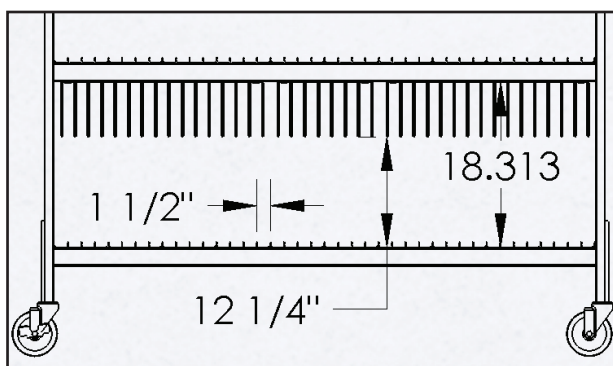
- 62" wide x 23" deep x 74" high.

SHIPPING WEIGHT

- 243 lbs.

OPTIONS / ACCESSORIES

Option	Description
<input type="checkbox"/> DXPEMB	Personalized Embossment (12 letters per line)
<input type="checkbox"/> DXPY5	5" Polyurethane Casters (set of 4)
<input type="checkbox"/> DXPWB	Wheel Brakes (set of 2)
<input type="checkbox"/> DXPV	Vertical Bumpers
<input type="checkbox"/> DXPR	Rotating Bumpers



LIMITED WARRANTY: DINEX warrants to the original purchaser parts and labor for a period of twelve (12) months from the date of purchase. See manufacturer's complete warranty for details.

It is our policy to build equipment which is design certified by companies that have been accredited at the Federal Level by the Occupational Safety and Health Agency (OSHA) and ANSI as a National Recognized Testing Laboratory. These companies include CSA International, Underwriters Laboratories, and the National Sanitation Foundation. However, a continuing program of product improvement makes it necessary to submit new models to the agencies as they are developed. Consequently, all models may not bear the appropriate labels at all times.

We reserve the right to change specifications and product design without notice. Such revisions do not entitle buyer to corresponding changes, improvements, additions or replacements for previously purchased equipment. Information is not for design purposes.

We do not accept returns on any Dinex equipment or Dinex custom products. Please contact your local Dinex rep to ensure order accuracy prior to ordering.