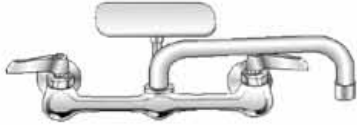




Item# _____ Project _____



Model S-1
8" O.C. Faucet (CH)
12" Spout



Model S-2
8" O.C. Faucet (T&S)
12" Spout



Model S-3
8" O.C. Faucet (CH)
8" Spout



Model S-16
8" O.C. Faucet (CH)
18" Swing Spout



Model S-70
Mop Sink Service Faucet (T&S)



Model S-17
S/S Basket Assembly



Model S-6
8" O.C. Faucet (T & S)
14" Spout



Model S-57
Wrist Blades (CH)



Model S-20
2" Twist Type Leverwaste



Model S-18
2" Twist Type Leverwaste
With Overflow (CH)



Model S-7
8" O.C. Splash Mount
Pre-Rinse Unit (T & S)

Model S-8
Deck Mount Pre-Rinse Unit (CH)



Model S-10
Pre-Rinse Add-on Faucet (CH)



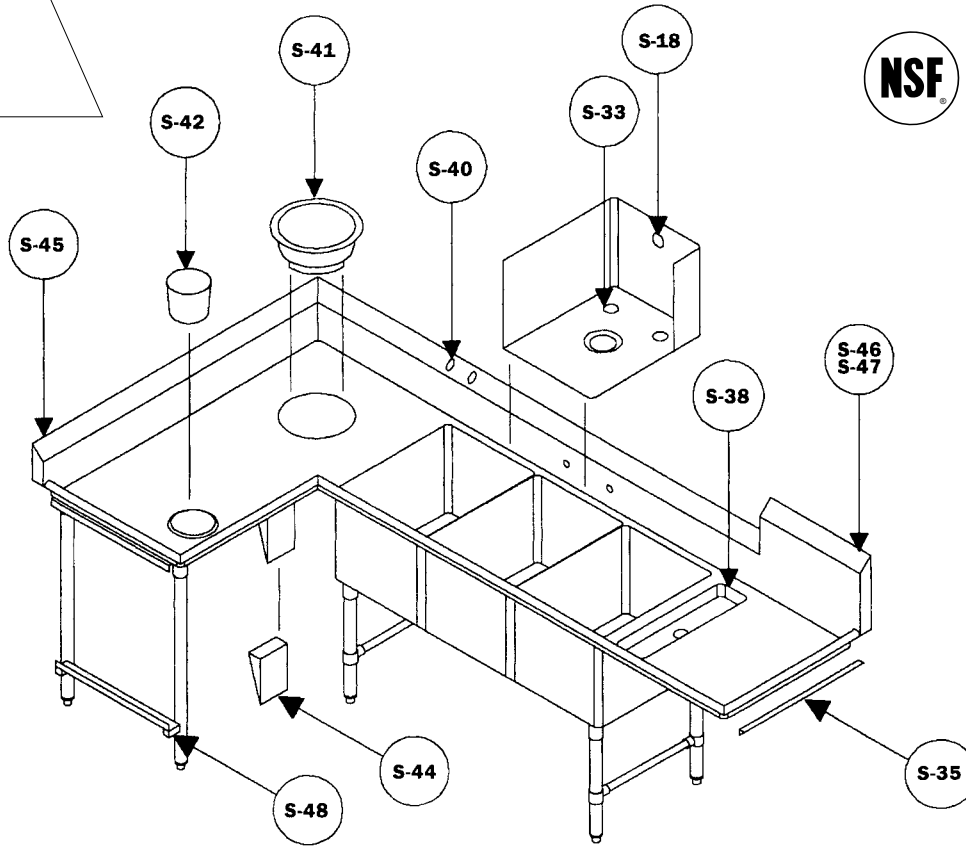
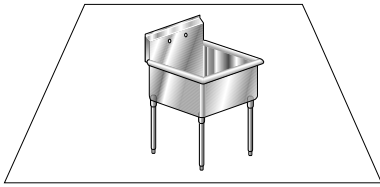
Model S-66
Foot Pedals (CH)



Model S-22
3 Compartment Continuous Waste



SINK ACCESSORIES & OPTIONS



Quantity Model #Description

SINK ACCESSORIES & OPTIONS

___	S-1	12" Faucet (CH)
___	S-2	12" Faucet (T & S)
___	S-3	8" Faucet (CH)
___	S-4	8" Faucet (T & S)
___	S-5	14" Faucet (CH)
___	S-6	14" Faucet (T & S)
___	S-7	Pre-Rinse Faucet Wall (T & S)
___	S-8	Pre-Rinse Faucet Deck (CH)
___	S-9	Pre-Rinse Faucet Wall (CH)
___	S-10	Add-On Faucet
___	S-11	Repair Kit (CH or T&S)
___	S-12	16" Faucet (CH)
___	S-13	12" Pot Filler Faucet (CH)
___	S-14	Vacuum Breaker
___	S-15	Stainless Steel Wrap for "M" or "3" Series
___	S-16	18" Swing Spout (T & S)
___	S-17	Basket Strainer
___	S-18	Leverwaste w/Overflow
___	S-19	S/S Lever Support Bracket
___	S-20	2" Twist Type Leverwaste
___	S-21	2 Compt Cont Waste
___	S-22	3 Compt Cont Waste
___	S-23	4 Compt Cont Waste
___	S-24	3/4" Poly Board Per Sq. Foot
___	S-25	Backflow Preventer
___	S-26	Splash Turndown "Z" Bracket Included
___	S-27	Faucet Hole Revision

Quantity Model #Description

SINK ACCESSORIES & OPTIONS

___	S-28	Working Height Revision
___	S-29	S/S Leg w/Foot
___	S-30	S/S Foot
___	S-31	S/S Flanged Foot
___	S-32	Provision For Water Pump
___	S-33	Provision For Hatco Heater
___	S-34	Special Size Charge (Per Sink Bowl)
___	S-35	Prepare Sink for Undercounter Dishwasher (24" Drainboard Minimum)
___	S-38	Scrap Trough
___	S-39	S/S Sink Cover
___	S-40	Vacuum Breaker Holes
___	S-41	Disposal Cone or Collar Weldment Only
___	S-42	Scrap Block & Hole
___	S-43	Drainboard Corner Turn
___	S-44	Control Bracket
___	S-45	Side Splash
___	S-46	13" Splash Per Foot
___	S-47	18" Splash Per Foot
___	S-48	Poly Board Holder
___		SINK MOUNTED SHELVES & POT RACKS
___	S-49	Mounting Charge
___	S-50	S/S Pot Rack Per Foot
___	S-51	12" Solid Stainless Steel Shelf per Foot
___	S-52	15" Wide Tubular Shelf per Foot

FOR SINK UNDERSHELVES SEE PAGE DT-5 A&B

BOLD TYPEFACE INDICATES ITEM ILLUSTRATED ABOVE

email - sales@aeromfg.com

AERO MANUFACTURING COMPANY • 310 ALLWOOD ROAD, CLIFTON, NEW JERSEY 07012 • VOICE 973473.5300 FAX 973.473.3794