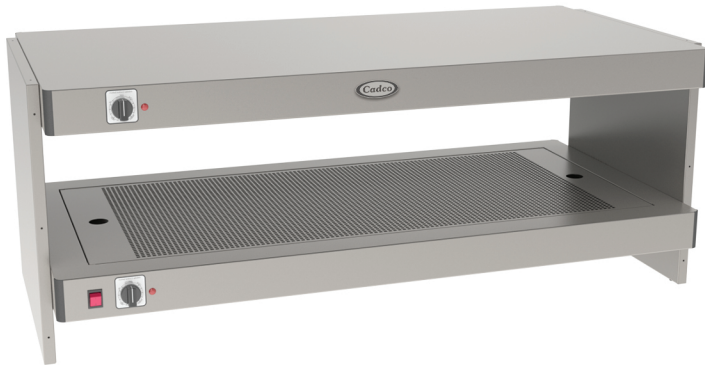




52" WIDE COUNTERTOP WARMER • PASS THROUGH • MADE IN USA

# Model PGW-15



The Cadco PGW-15 pass & go countertop warmer features a reach-through design with a space-saving small footprint.

With independent top and bottom thermostat controls, holding temperatures can be fine tuned for optimal serving temperatures - perfect for grab & go items such as sandwiches and snacks.

With a wide-open design, the kitchen is able to load food products from the back, with the customers able to grab their desired food from the front.

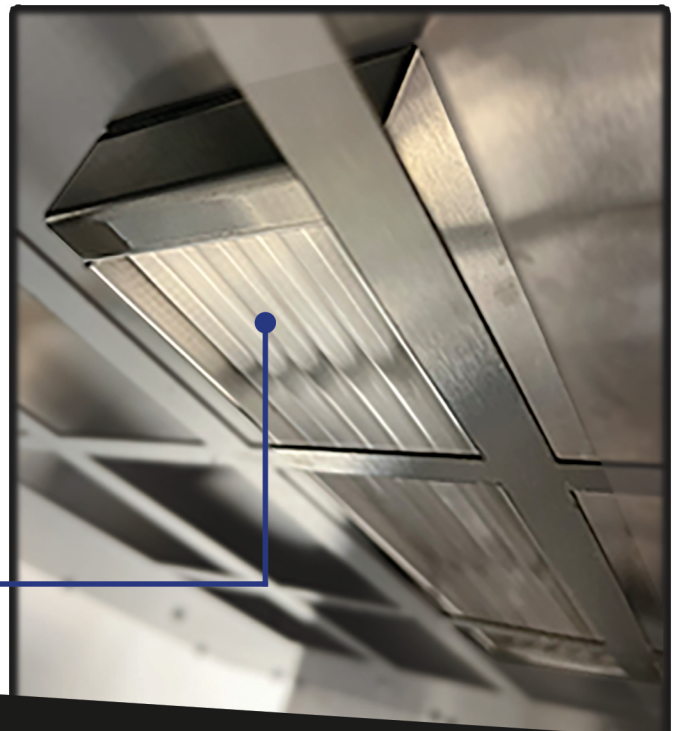
Cadco offers 3 different sizes of pass & go warmers, and all warmers can even be stacked, for maximum output with minimal footprint.

## FEATURES

- 52" wide
- Infrared heating element
- Stainless steel construction
- Pass-through design
- Made in the U.S.A.
- Individual top & bottom heating controls
- 120v plug & play design
- Stackable for maximum output\*



Top Infrared Element



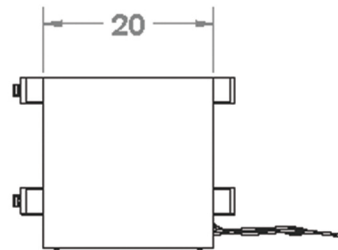
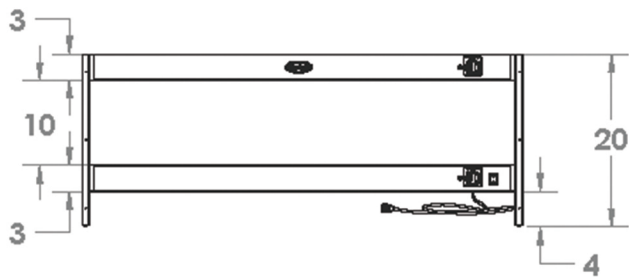
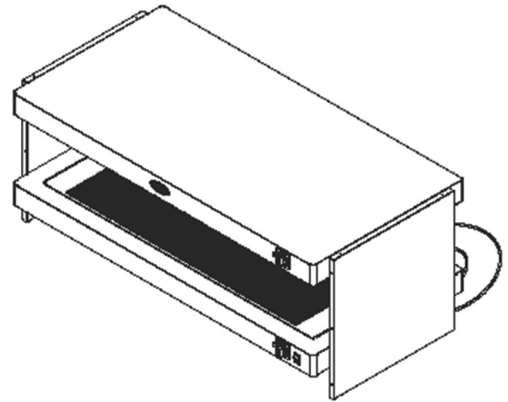
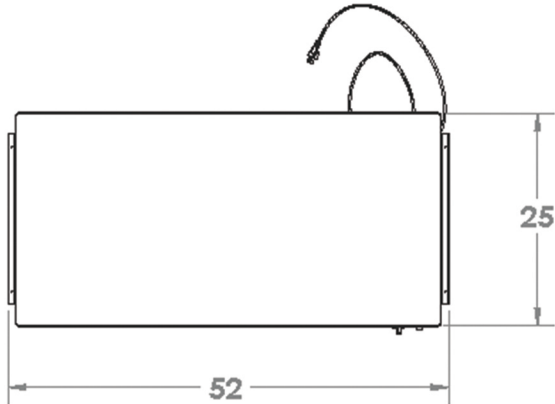
[WWW.CADCO-LTD.COM](http://WWW.CADCO-LTD.COM)

200 International Way, Winsted CT 06098 • Phone: (860) 738-2500 • Fax: (860) 738-9772

---

# DIMENSIONS

\* DIMENSIONS ARE IN INCHES \*



---

# SPECIFICATIONS

Height	20"
Width	52"
Depth	25"
Weight	104.18lbs
Warming Surface	45" x 20"
Shipping Dims	48 x 40 x 62
Shipping Class	200
Shipping Weight	135 lbs

---

# ELECTRICAL

Volts	120
Amps	15
Watts	1800
Plug	5-15p

