

• FLP8OWL

137-1/4"L x 41-3/8"D x 50-5/8"H

### Included

- 8" X 13" Buckets
- Adjustable lower front display
- Black interior
- Digital fahrenheit thermometer
- One year parts & labor warranty
- Three display levels



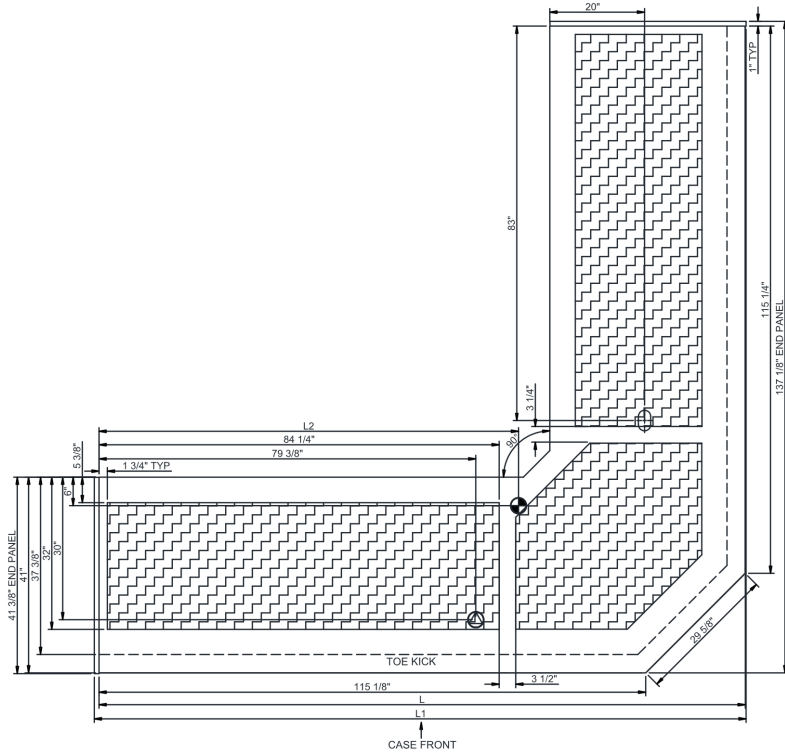
FLP8OWL

Specify	Standard Features	Additional Options
EXTERIOR COLOR	• Laminate (stock colors)	• Laminate (non-stock colors)
INTERIOR COLOR	• Powder coated Silversan Black	• Stainless steel
LOWER PANEL COLOR	• Powder coated Silversan Black	
REAR EXTERIOR COLOR	• Powder coated Silversan Black	
BASE SUPPORT	• Rail system for shims	
END PANELS	• Full w/stainless steel mirror interior	• Cutaway w/ glass
INTERIOR DISPLAY	<sup>1</sup> • 8" X 13" Buckets	
ELECTRICAL CONNECTION	• Electrical leads	
REFRIGERATION	• Remote DX refrigeration	• Remote DX w/thermostat, solenoid & TXV
SENSOR	• None	• CPC discharge air sensor (remote)
MISCELLANEOUS		• Second year parts & labor warranty

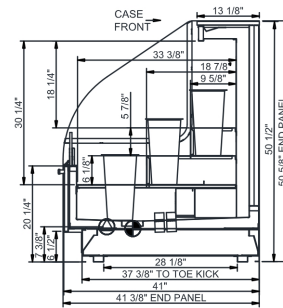
Std Notes: 1 - FLP8OWL= (54)

<b>Intended Environment:</b> Type I - Designed to operate in ambient conditions of 75°F with 55% relative humidity unless noted otherwise in system information below.		
<b>Zone</b>	<b>Intended Product To Be Displayed</b>	<b>Warmest Avg Prod Temp ° F</b>
1	Floral products	38

**PLAN VIEW**



**SIDE VIEW**



**NOTE: ALL DIMENSIONS APPROXIMATE**

- ELECTRICAL JUNCTION BOX**  
(SUPPLIED WITH 6" LEADS OR POWER CORD).
- LOCATION OF DRAIN TUBE FOR REMOTE REF.**  
ONLY (SUPPLIED WITH 3/4" OR 1 1/2" PVC TUBE).

- REFRIGERATION LINE CONNECTION.**
- REMOTE FLOOR SINK & UTILITIES**  
ACCESS AREA.

- SELF-CONTAINED CASE SERVICE ACCESS AREA.**
- DRY CASE SERVICE ACCESS AREA.**

Model Technical Specifications																
Model	L"	L1"	L2"	System Circuit Volts		Phs	Freq	Amps ***	Watts	Wires	NEMA Plug	SST	Conv. Rack BTUH	Para. Rack BTUH	Est Wt	
FLP80WL	N/A	137.25	88.38	Remote (DX)	Circuit #1	110-120	1	60	2.90	276	2+G	Leads Multiple	26.00	14822	13724	N/A
				Remote (GLYCOL 35%)	Circuit #1	110-120	1	60	2.90	276	2+G	Leads Multiple	26.00	14822	13724	

\*\*\* Does not include electric defrost on freezer models.

Regulatory Approvals:	
All Models	Accordance with AHRI Std 1200 ETL Listed to UL 471 ETL Listed to CAN/CSA 22.2 No. 120



In Accordance with  
**AHRI Std 1200**

**DOE 2017**  
Energy Efficiency  
Compliant

**Important Notes:**

- 1) ELECTRICAL NOTE: If GFCI is required, a GFCI breaker MUST be used in lieu of a GFCI receptacle.
- 2) Units must be leveled during installation to ensure the unit is level and plumb.
- 3) Keep unit at least 15' from exterior doors, 10' from overhead HVAC vents, 5' from exterior windows.
- 4) Performance issues (product temperatures, water on floor, etc) caused by adverse conditions are not covered by warranty.

**⚠ WARNING:** This product can expose you to chemicals, including Urethane (Ethyl Carbamate), which are known to the State of California to cause cancer and birth defects or other reproductive harm. For more information go to [www.P65Warnings.ca.gov](http://www.P65Warnings.ca.gov).