



**TOBIN ELLIS SIGNATURE SERIES ICE VAULT**  
*Large Format Ice Management System*



**eco friendly**  
 R290 Refrigerant



JOB	
AREA	
ITEM NO.	
MODEL NO.	



ISC12-6



Tempering Pan

MODEL	DESCRIPTION
ISC12	Tobin Ellis Signature Series Ice Vault

**KEY PRODUCT FEATURES AND BENEFITS**

- The industry’s first NSF rated large format ice management system
- Designed by Tobin Ellis to integrate into the Perlick Bartender Station – the station is designed to maximize speed and profitability for bar tenders and bar owner
- Rear vault compartment safely stores up to 48 large format cubes within reach of the bartender
- VariChill™ adjustable temperature damper allows you to adjust the temperature in the front vault for storage of juices, spirits, vermouths, or any other bottled ingredient
- Triple Action lid allows for quick, no look access to the rear freezer compartment – slide back for quick access then lift to fold the lid back so it remains in the open position
- Tempering pan allows ice to be pulled forward to temper in the front vault prior to drink production
- Two separate vaults create flexible and unique temperature-controlled storage options:
  - Rear vault compartment can hold up to 48 large format ice cubes, included divider can separate the rear vault into two compartments for separating different shapes of craft ice cubes
  - Front vault with VariChill™ can be used to temper ice with included ice tempering pan, or chill up to three bottles of juice, vermouth, or liqueur
- Rear vault is adjustable between -20°F to +10°F to maintains clear ice for up to 3 days
- Front vault operates at 30°to 55°F and temperature can be adjusted via the VariChill™ Damper
- Eco-friendly: R290 high-efficiency, zero-ozone depleting refrigerant
- Available options:
  - Freestanding unit with 4” or 6” backsplash
  - Built onto modular die-wall



**TOBIN ELLIS SIGNATURE SERIES ICE VAULT**  
*Large Format Ice Management System*

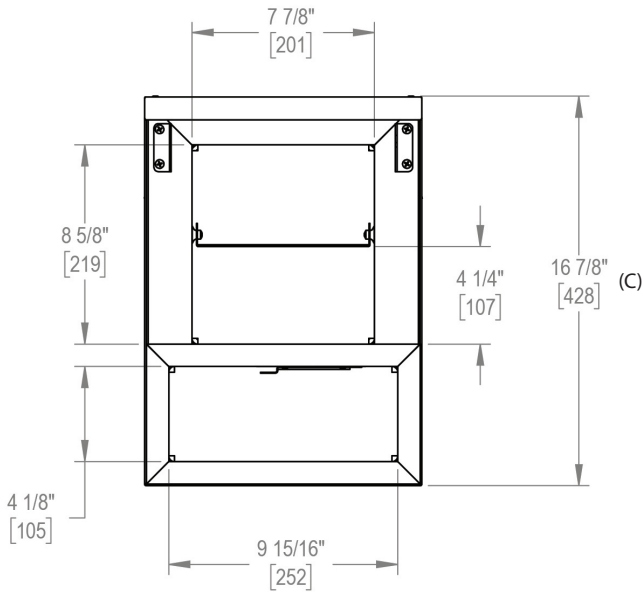
MODEL NUMBERS	ISC12-4	ISC12-6	ISC12-MB
HEIGHT in. (MM) (A)	33-5/8" to 34-5/8" (854 to 879)	35-5/8" to 36-5/8" (905 to 930)	40-3/8" (1026)
WIDTH in. (MM) (B)	12" (305)		
DEPTH in. (MM) (C)	16-7/8" (429)		
CAPACITY	Front Well: 0.21 cu. ft. / Rear Well: 0.34 cu. ft.		
SHIP WEIGHT lbs. (kg)	85 (39)	85 (39)	100 (45)
CABINET WEIGHT lbs. (kg)	70 (32)	70 (32)	85 (39)
COMPRESSOR H.P.	1/10 h.p.		
AMPS	1.0		
FRONT CHEST in. (MM)	8-7/8" (226) H X 9-7/8" (251) W X 4-1/8" (105) D		
REAR CHEST in. (MM)	8-5/8" (220) H X 7-7/8" (201) W X 8-5/8" (220) D		
ELECTRICAL	115 volt, 60 hz, 1 phase AC. Furnished with eight foot rubber cord.		
REFRIGERANT & CHARGE (g)	R290 30 grams		
AIRFLOW INTAKE	Front of machine compartment must be unobstructed to allow for ambient airflow into the machine compartment.		
AIRFLOW DISCHARGE	The back, left and right sides allow for the discharge air to be removed from the machine compartment, one of these sides must be kept unobstructed to perform properly. If the unit is built in tightly on the left and right side, the standard furnished leg clearance must be maintained under the unit for proper operation.		
BACKSPLASH	6" standard, 4" option, and available for Perlick Modular Bar		

Per NSF Certification front compartment intended for storage and display of non-potentially hazardous bottled or canned products.

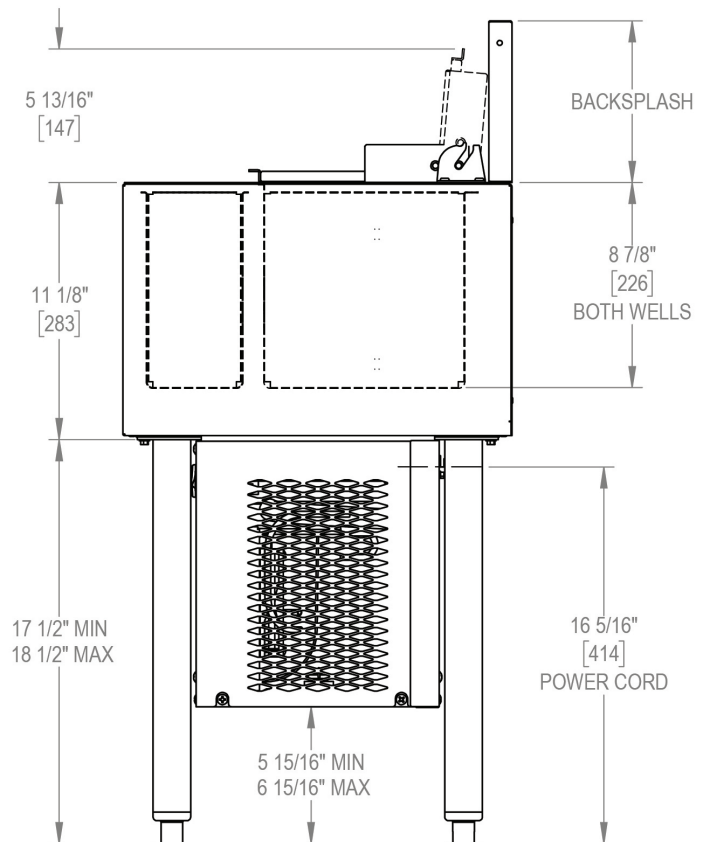
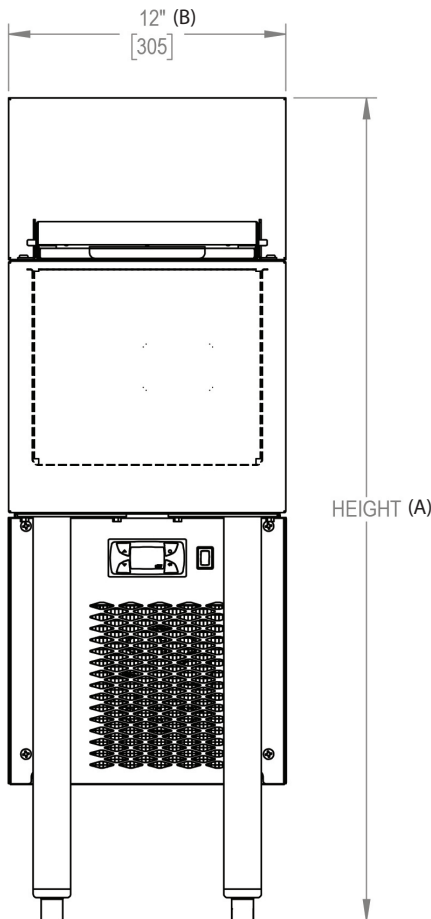


**TOBIN ELLIS SIGNATURE SERIES ICE VAULT**  
*Large Format Ice Management System*

**Freestanding Application**



MODEL	BACKSPLASH	OVERALL HEIGHT (A)
ISC12-4	4"	33-5/8" to 34-5/8"
ISC12-6	6"	35-5/8" to 36-5/8"

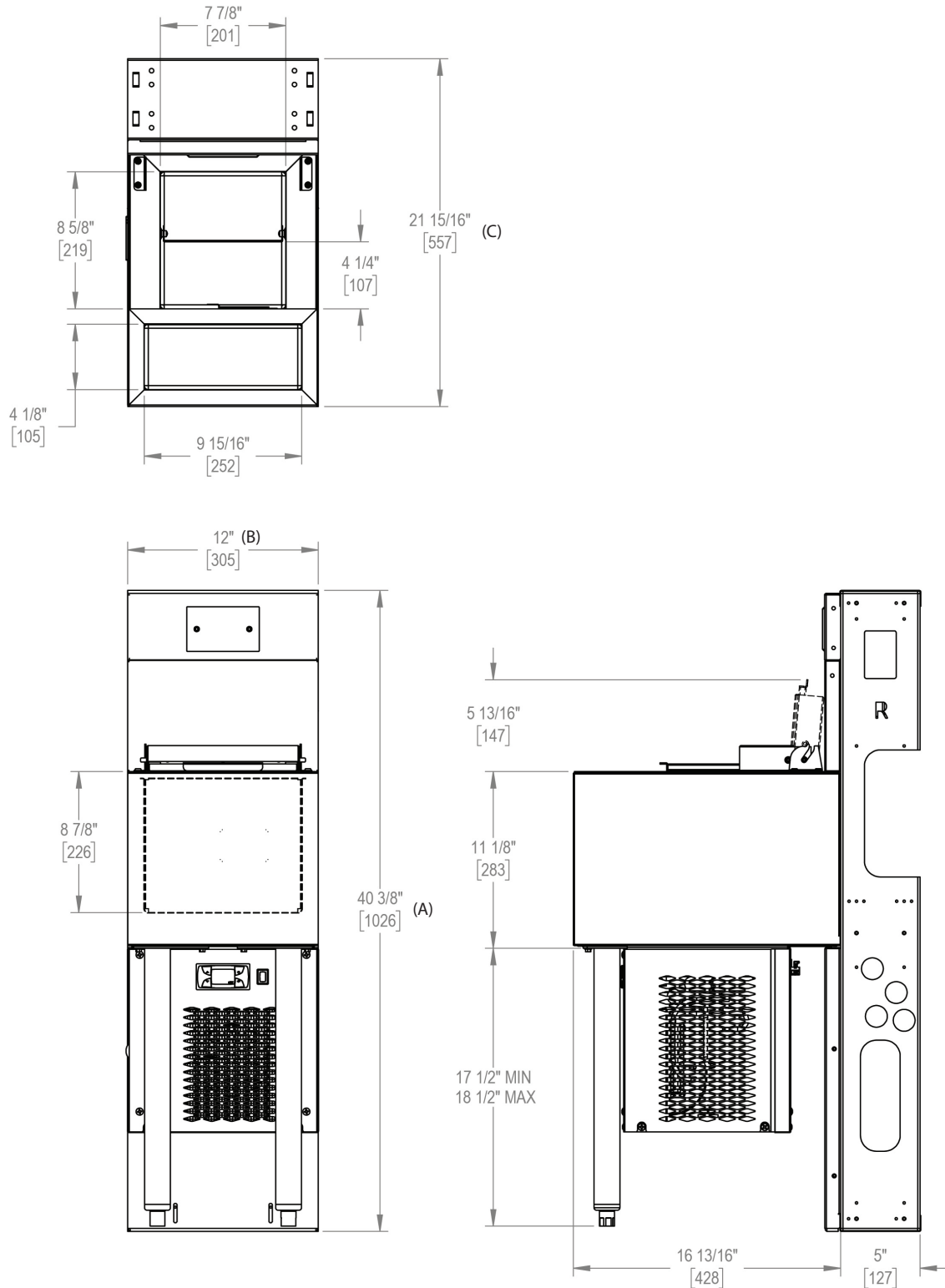


Form No. Z2598  
 Rev. 02.06.24



**TOBIN ELLIS SIGNATURE SERIES ICE VAULT**  
*Large Format Ice Management System*

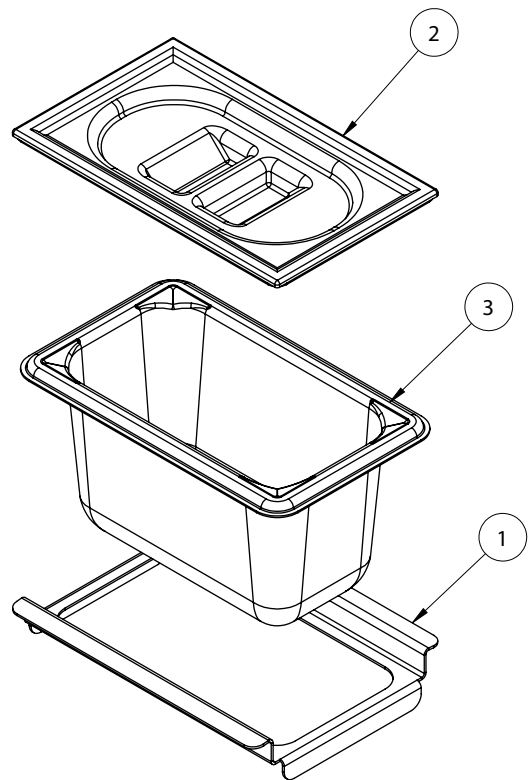
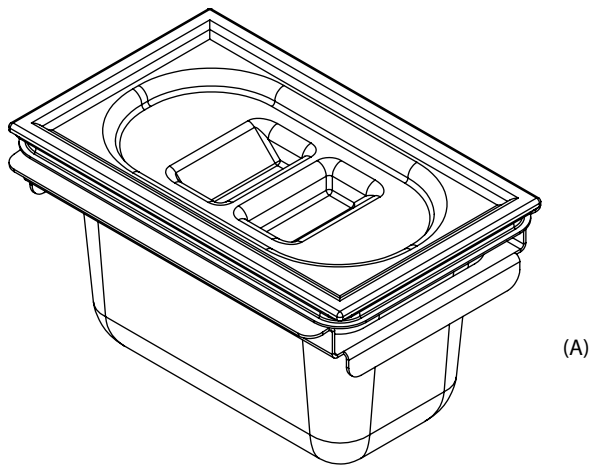
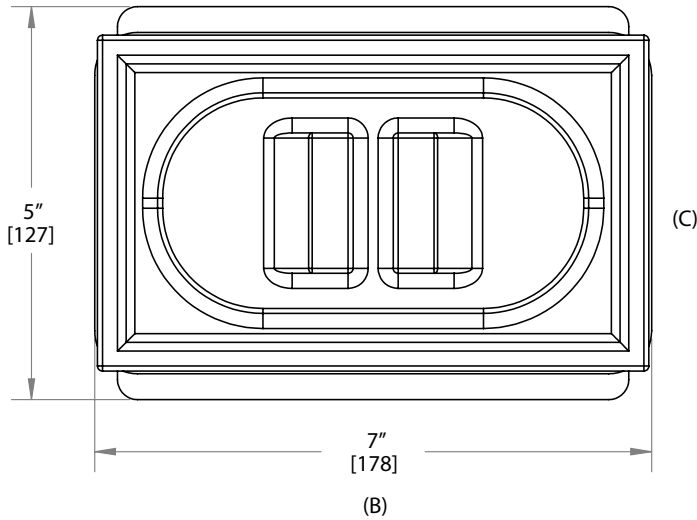
**Modular Die Wall Application**





**TOBIN ELLIS SIGNATURE SERIES ICE VAULT**  
*Large Format Ice Management System*

**Tempering Pan Kit**



ITEM NO.	PART #	DESCRIPTION	QTY.
1	1026639	Saddle bracket for ISC-12 tempering kit	1
2	1027064	1/9th pan cover, clear plastic, NSF	1
3	63386-1	Ninth size anti-jam pan, 1-1/8th qt. capacity	1