



**John  
BOOS**  
Since 1887

ITEM #: \_\_\_\_\_ QTY: \_\_\_\_\_

MODEL #: \_\_\_\_\_

PROJECT NAME: \_\_\_\_\_

052118

3601 S. Banker St. Effingham, IL 62401 • P.O. BOX 609 • Ph: (888) 431-2667 • Fax: (800) 433-2667

## **BUILD A TABLE**

### **FEATURES:**

- NORTHERN HARD ROCK MAPLE EDGE GRAIN TOP W/ BOOS BLOCK CREAM FINISH W/ BEESWAX
- FOOD SERVICE GRADE STAINLESS STEEL BASE AND UNDERSHELF
- 36" TABLE HEIGHT
- 84" OVERALL HEIGHT W/ POT RACK
- SHIPPED KNOCKED DOWN, 2 CARTONS
- OPTIONS: POT HOOKS, BOAT SHAPE STAINLESS STEEL POT RACK
- PLASTIC BULLET FEET



CUCSN03



CPRB02



HOOK-SS-DBL

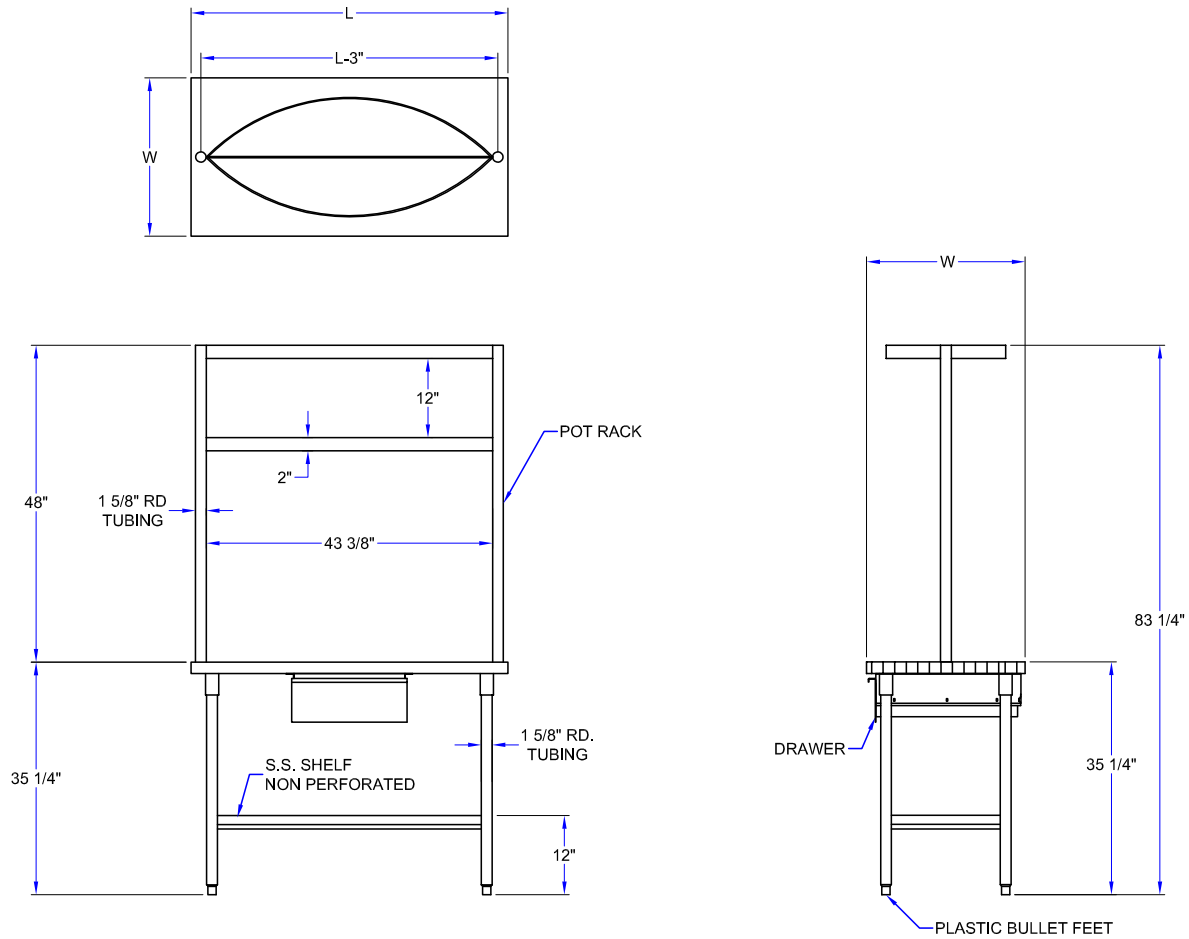


HOOK-SS-SGL

### **BUILD A TABLE**

	MODEL #	QTY
BASIC MODEL	CUCSN02	
	CUCSN03	
	CUCSN08	
	CUCSN09	
	CUCSN10	
OPTIONAL ADD-ON FEATURES	DR2015-W	
	HOOK-SS-DBL	
	HOOK-CPR-SGL	
	HOOK-SS-SGL	
	CPRB01	
	CPRB02	
	CPRB03	

# DETAILED SPECIFICATIONS



## BUILD A TABLE

	MODEL #	SIZE	DESCRIPTION	HEIGHT	WEIGHT (LBS)
BASIC MODEL	CUCSN02	48" X 24" X 1-3/4"	BASIC MODEL W/ 1-3/4" TOP	35.25"	91
	CUCSN03	60" X 24" X 1-3/4"	BASIC MODEL W/ 1-3/4" TOP	35.25"	109
	CUCSN08	48" X 30" X 1-3/4"	BASIC MODEL W/ 1-3/4" TOP	35.25"	109
	CUCSN09	60" X 30" X 1-3/4"	BASIC MODEL W/ 1-3/4" TOP	35.25"	132
	CUCSN10	72" X 30" X 1-3/4"	BASIC MODEL W/ 1-3/4" TOP	35.25"	154
OPTIONAL ADD-ON FEATURES	DR2015-W	20" X 15"	SS ROLLER BEARING DRAWER	5"	19
	HOOK-SS-DBL	-	SS DOUBLE PRONG POT HOOK	-	1
	HOOK-CPR-SGL	-	COPPER SINGLE PRONG POT HOOK	-	1
	HOOK-SS-SGL	-	SS SINGLE PRONG POT HOOK	-	1
	CPRB01	48" X 18"	BOAT SHAPE SS POT RACK	48"	30
	CPRB02	60" X 18"	BOAT SHAPE SS POT RACK	48"	38
	CPRB03	72" X 18"	BOAT SHAPE SS POT RACK	48"	45

SOME UNITS SHIP UNASSEMBLED FOR REDUCED SHIPPING COST. ALL DIMENSIONS ARE TYPICAL. TOLERANCE +/- .500"

John Boos & Co. is constantly engaged in a program of improving products and therefore reserves the right to change specifications without prior notice.



3601 S. Banker St. • Effingham, IL 62401 • PO BOX 609 • quotes@johnboos.com

052118

Boos  
lock

AQ AutoQuotes

[www.johnboos.com](http://www.johnboos.com)

247