



# SPA-162 • SFA-192 Touchless Ice Dispensers

Model  SPA-162  SFA-192

ADA Compliant



## ONLY 22" WIDE

### SPA Model

Designed for filling both i buckets and glasses. The touch-less lever activated ice chute means the ice bucket or glass is used to dispense ice, not a hand. Clearance from the grate to the bottom of the chute 9.5" ( 24.13cm).

Coupled with an Indigo NXT ice machine, you can program the ice machine to be off at night so that while the hotel guests are sleeping, the ice machine can be too!



Indigo NXT iT0620 Ice Machine  
SPA-162 Ice Dispenser  
(Ice Machine and Dispenser sold separately)



Indigo NXT iT0620 Ice Machine  
SFA-192 Ice & Water Dispenser  
(Ice Machine and Dispenser sold separately)

### SFA Model

Designed for filling both ice buckets and glasses with a built in Water Valve. The touch-less lever activated ice chute means the ice bucket or glass is used to dispense ice, not a hand. Clearance from grate to bottom of chute 9.5" ( 24.13 cm) .



### Standard Features

- 120 lbs. (54.4 kgs.) ice storage capacity. Accepts 22" (55.88 cm) wide Manitowoc ice machine.
- Only 22" (55.88 cm) wide, 31" (78.7 cm) deep, and 75.5" high (191.77 cm).
- The touch-less lever eliminates the need to touch a hand to the machine to dispense ice.
- Efficient built-in agitator assures 100% dispensing. Oversized drain pan collects larger quantity of ice overflow.
- DuraTech™ exterior provides superior corrosion resistance. Stainless finish with innovative clear-coat resists fingerprints and dirt.

### Warranty

- 5-year parts and 5-year labor coverage on ice machine evaporator.
- 5-year parts and 3-year labor coverage on ice machine compressor.
- 3-year parts-and-labor coverage on all other ice machine and dispenser components.

### Ice Shape



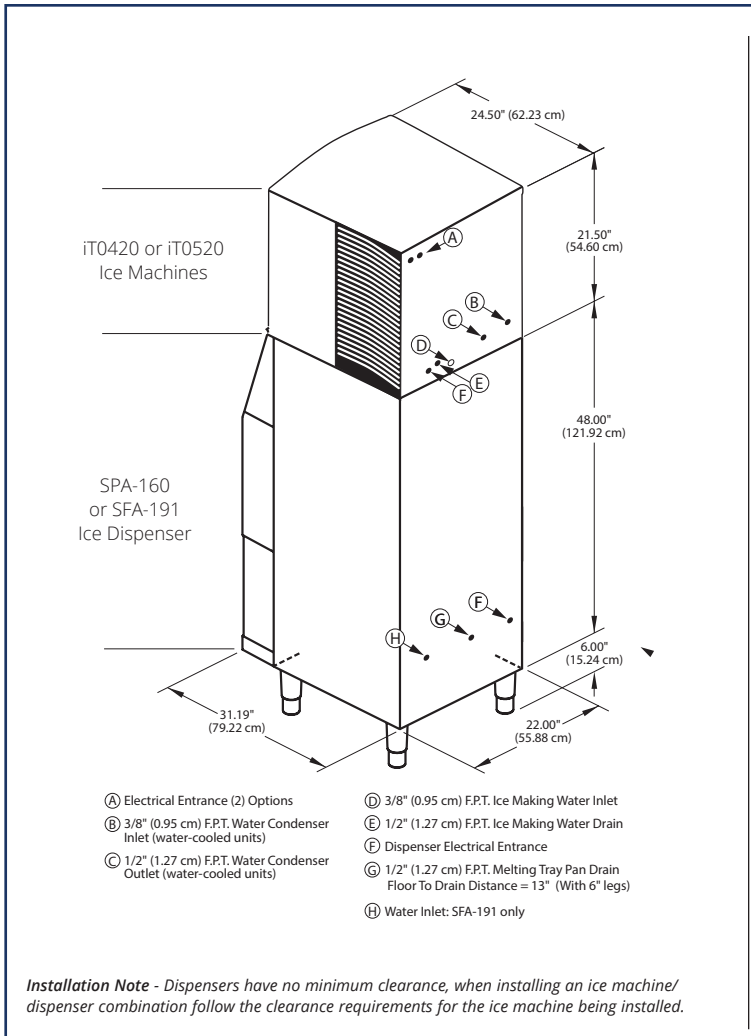
**Half Dice**  
3/8" x 1 1/8" x 7/8"  
(.95 x 2.86 x 2.22 cm)



**Dice**  
7/8" x 7/8" x 7/8"  
(2.22 x 2.22 x 2.22 cm)



SPA-162 • SFA-192 Touchless Ice Dispensers



## Ice Machine Electric

**Note:** Dispenser will accept single 22" wide ice machine. Ice machine ordered separately. Choose Dice or Half Dice cube size. Refer to ice machine specification sheet for electrical and complete AHRI standard ratings.

### Dispenser Electric:

115/60/1. (208-230/60/1 and 230/50/1 also available.)

### Maximum Circuit Fuse Size:

15.0 amps. HACR-type circuit breakers can be used in place of fuses.

### Dispenser Electrical Connection:

6' power cord, rated 125 VAC, 16-3 conductors with standard 3-prong, straight-blade, ground-type plug (NEMA configuration 5-15P).

### Motor:

1.6 amps maximum. Permanently lubricated.

### Service Access:

Dispenser door removes easily to access components.

### Model Options:

SPA-162 touch-less activated lever only  
SFA-192 touch-less activated lever with water valve

### Series iT0420 (115 volt)

Model	Ice Shape	Ice Production 24 Hours			
		70°Air/50°F Water		90°Air/70°F Water	
		lbs.	kgs.	lbs.	kgs.
IDT-0420A	dice	470	213	375	170
IDT-0420W	dice	454	206	400	181
IYT-0420A	half-dice	460	209	375	170
IYT-0420W	half-dice	490	222	425	193

### Series iT0620 (115 volt)

Model	Ice Shape	Ice Production 24 Hours			
		70°Air/50°F Water		90°Air/70°F Water	
		lbs.	kgs.	lbs.	kgs.
IDT-0620A	dice	560	254	450	204
IDT-0620W	dice	530	240	450	204
IYT-0620A	half-dice	575	261	465	211
IYT-0620W	half-dice	560	254	485	220

### LuminIce® II Virus and Bacteria Inhibitor

controls viruses and bacteria inside the ice machine



### Arctic Pure Plus Water Filters

#### AR-Pre-P

Filters dirt, rust, and hard sediments down to 5 micron.



#### AR-10000-P

Ultra-fine filtration reduces chlorine & contaminants down to .5 microns. Use of pre-filter recommended.



Manitowoc Ice reserves the right to make changes to the design or specifications without prior notice.