



PATENT PENDING

Sleek Shields™ MULTI-USE FOOD SHIELDS WITH STAINLESS STEEL SHELF

Protected By: U.S. Patent No. 11,129,484

**Quickly Converts From Full-Service Style
To Self-Service Style**

Item #: _____ Qty #: _____
 Model #: _____
 Project #: _____



FEATURES:

- Bottom front glass locks in place at 3 fixed positions
- Entire glass front rotates for easy cleaning
- Stainless steel 1" diameter Posts
- Includes Two 18" Wide Glass Side Panels
- 1/4" Thick Heat-Tempered Glass Side Panels
- 3/8" Thick Heat-Tempered Glass Fronts
- Stainless Steel Top Shelf

CONSTRUCTION:

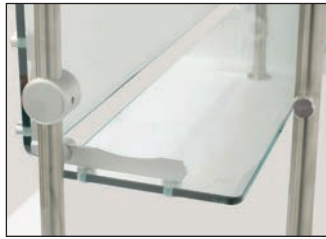
All TIG welded
 Exposed stainless steel surfaces polished to a satin finish

MATERIAL:

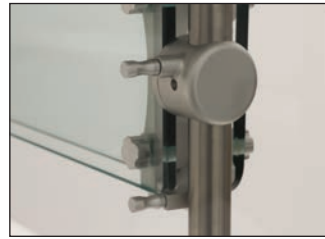
18 Ga., Type 430 Stainless Steel shelf
 1/4" Thick Heat-Tempered Side Glass
 3/8" Thick Heat-Tempered Glass Fronts
 1" Posts - Stainless Steel
 Chamber Lock™ Sleek Shield Assemblies - Anodized Aluminum.
 Finish - Aluminum components are anodized to a satin finish.
 Stainless components polished.



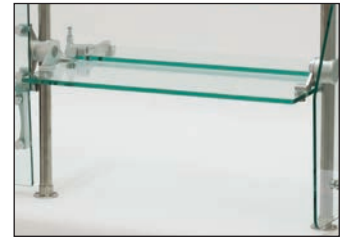
Bottom Glass Flips All The Way Up
To Become A Self-Serve Unit



Bottom Glass Can be Used As a Shelf



Easy To Use Mechanism
For Changing Front Glass Positions



Entire Glass Shield Rotates
For Easy Cleaning

L	12" WIDE	Approx. Wt.	15" WIDE	Approx. Wt.	18" WIDE	Approx. Wt.	Approx. Cubes
36"	DSG-12S-36	131 lbs.	DSG-15S-36	133 lbs.	DSG-18S-36	136 lbs.	18
48"	DSG-12S-48	166 lbs.	DSG-15S-48	169 lbs.	DSG-18S-48	173 lbs.	23
60"	DSG-12S-60	191 lbs.	DSG-15S-60	196 lbs.	DSG-18S-60	199 lbs.	29
72"	DSG-12S-72	237 lbs.	DSG-15S-72	245 lbs.	DSG-18S-72	250 lbs.	34
84"	DSG-12S-84†	276 lbs.	DSG-15S-84†	279 lbs.	DSG-18S-84†	286 lbs.	39
96"	DSG-12S-96†	312 lbs.	DSG-15S-96†	314 lbs.	DSG-18S-96†	323 lbs.	44
108"	DSG-12S-108†	346 lbs.	DSG-15S-108†	353 lbs.	DSG-18S-108†	359 lbs.	49
120"	DSG-12S-120†	382 lbs.	DSG-15S-120†	389 lbs.	DSG-18S-120†	397 lbs.	55
132"	DSG-12S-132†	420 lbs.	DSG-15S-132†	428 lbs.	DSG-18S-132†	437 lbs.	60
144"	DSG-12S-144††	455 lbs.	DSG-15S-144††	465 lbs.	DSG-18S-144††	473 lbs.	65

† Requires a single pair of center legs †† Requires two pairs of center legs

IMPORTANT INFORMATION
 All Food Shields are a non-stock special order items & may not be canceled once ordered.



Customer Service Available To Assist You 1-800-645-3166 8:30 am - 7:00 pm E.S.T.

For Orders & Customer Service:

Email: customer@advancetabco.com or Fax: 631-242-6900

For Smart Fabrication™ Quotes:

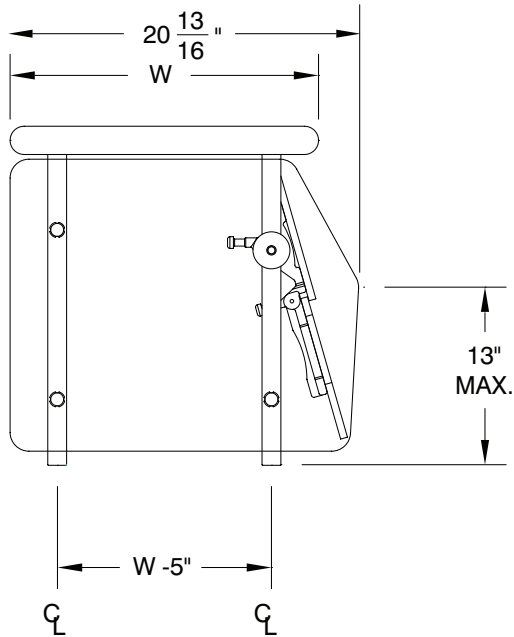
Email: smartfab@advancetabco.com or Fax: 631-586-2933

DETAILS and SPECIFICATIONS

TOL ± .500"

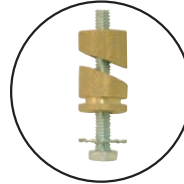
ALL DIMENSIONS ARE TYPICAL

DSG-S SERIES - STAINLESS STEEL SHELF

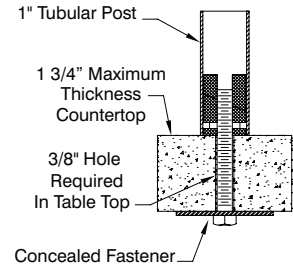


Standard Concealed Mounting Hardware

Requires access below counter for installation.



Brass Expander Table Mounting Hardware Included. For traditional undermount installation (1" tubing only)



Optional Accessories

Surface Mounting Brackets

Use when access below countertop is not available.



SG-1
Fits 1" Posts
2" O.A. Diameter

(Compatible With All Advance Tabco Food Shields)

