

VICTORY[®]

ULTRASPEC

PROJECT: _____

ITEM # _____ QTY: _____

MODEL # _____

AIA # _____ SIS # _____

BOTTOM MOUNT GLASS DOOR DISPLAY FREEZER WITH ELECTRONIC LOCK

LSF49HC-1-IQ



EXCLUSIVE WARRANTY

- ▶ 7 Year Parts, Labor and Compressor
- ▶ Exclusive 2 Year Warranty On Magnetic Door Gaskets
- ▶ Lifetime Warranty On Handles & Hinges (parts only)



CABINET CONSTRUCTION

- Stainless Steel Exterior (galvanized back)
- Aluminum Interior
- Full Electronic Control
- Expansion Valve Technology
- Anti-Condensate Door Perimeter Heaters
- LED Lighting
- High-Performance, Balanced, Bottom-Mounted Refrigeration
- Triple-Pane Glass Door
- Spring-Loaded Hinge With Stay-Open Door Feature For Easy Product Loading
- One-Piece, Snap-In Magnetic Door Gasket
- Ten (10) Heavy-Duty Epoxy Coated Shelves
- 6" Overall Height Casters Standard
- 8' Cord And Plug (see electrical data for details)

FEATURES

- Full Electronic Control
- Expansion Valve Technology
- Anti-Condensate Door Perimeter Heaters

ELECTRONIC LOCK FEATURES

- Secure Temperature-Sensitive Product For Worry-Free Operation
- Automatically Locks When Power Loss Or Temperature Drop Is Sensed
- Led Indicator To Quickly View Status
- Easy-Access Test Switch For Health Inspectors
- Built-In Safety Feature Allow Escape In Case Of Accidental Lock-In

REFRIGERATION

- Refrigeration System Uses R-290 Refrigerant To Comply With All Environmental Concerns
- Hot Gas Condensate Evaporator
- Adaptive Defrost For Reduced Energy Consumption And More Consistent Product Temperatures
- Epoxy Coated Evaporator Coil
- Freezer Capable Of Maintaining Product Temperature 0°F



Please Verify Qualifying Units By Visiting:
www.energystar.gov/cfs



OPTIONS & ACCESSORIES

- Stainless Steel, Black Or White Interior
- Custom Color Cabinet
- Door Swing Orientation (at time of order)
- Additional Shelves
- 3" Casters Or 6" Seismic Legs
- Remote Models* (6" legs only) (refrigerant must be specified at time of order, see note on back page)

3779 Champion Blvd, Winston-Salem, NC 27105

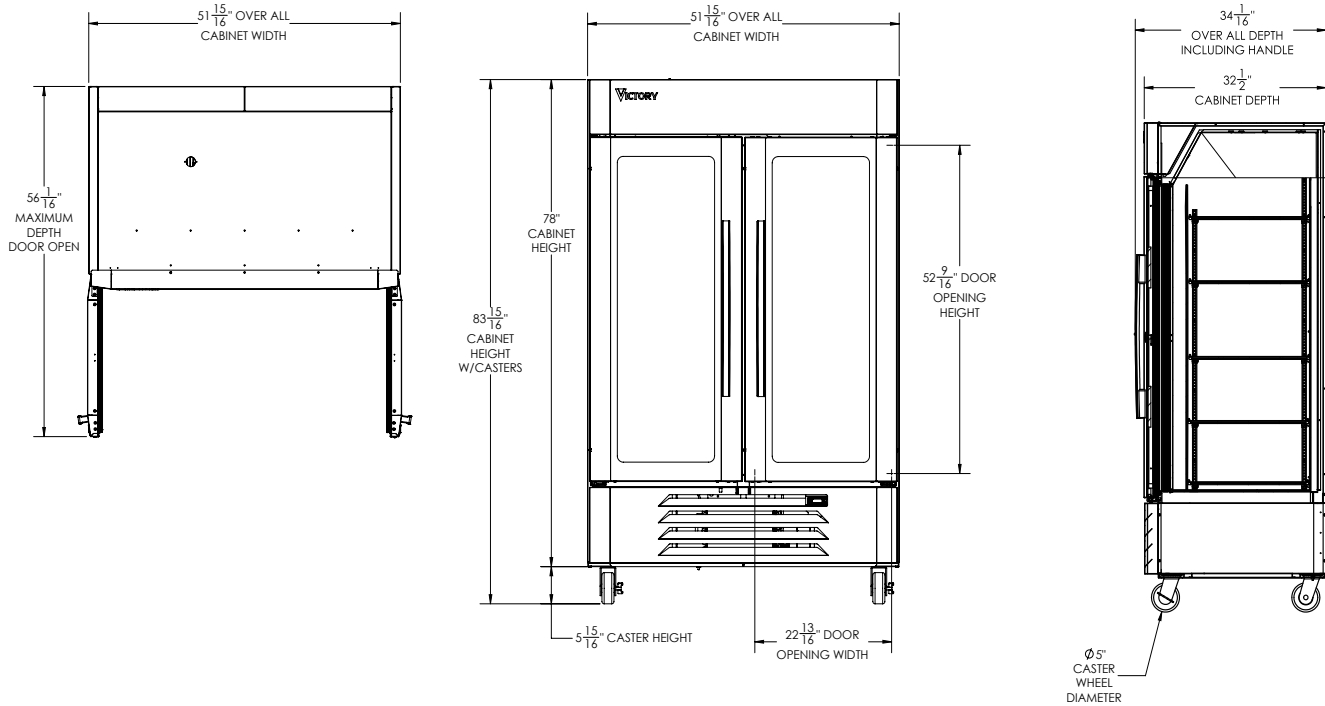
ph: (888) 845-9800 | fax: (800) 253-5168

Sales@VictoryRefrigeration.com | VictoryRefrigeration.com

Rev. 7/1/24 Printed in the U.S.A.

APPROVAL: _____ DATE: _____

BOTTOM MOUNT GLASS DOOR DISPLAY FREEZER - ELECTRONIC LOCK



We reserve the right to change specifications and product design without notice. Such revisions do not entitle the buyer to corresponding changes, improvements, additions or replacements for previously purchased equipment. Dimensional tolerances +/- 1/4". Metric dimensions (MM)

12" Top, 6" Bottom, 3" Sides & 3" Rear clearance is required

CHARACTERISTICS		ELECTRICAL DATA		SHIPPING DETAILS	
Net Capacity (cubic ft.)	46.2	Cabinet Voltage	115/60/1	Height	85"
Width, Overall	$51 \frac{15}{16}$ "	Total Amperes	13.9	Width	54"
Depth, Overall (with handles)	$34 \frac{1}{16}$ "	NEMA Plug (B' cord)	5-20P	Depth	36"
Height Overall (with casters)	$83 \frac{5}{16}$ "	REFRIGERATION DATA		Crated Weight	632 lbs
Depth, Doors Open 90°	$56 \frac{1}{16}$ "	Condensing Unit Size, HP	(2) 3/4	*NOTE: Remote units are field wired and come with 6" legs. Refrigerant must be specified at time of order.	
Door Openings (in.)	$22 \frac{13}{16}$ " x $52 \frac{9}{16}$ "	Refrigerant*	R-290		
No. Of Doors/Shelves	2/10	Capacity (BTU/HR) (100°F/-20°F)	(2) 2097		
		Heat Rejection (BTU/HR)	6291		
		Charge (lbs/grams/ounces)	(2) 0.2094 / 95 / 3.4		

3779 Champion Blvd, Winston-Salem, NC 27105 | ph: (888) 845-9800 | fax: (800) 253-5168

Sales@VictoryRefrigeration.com | VictoryRefrigeration.com

Rev. 7/1/24 Printed in the U.S.A.