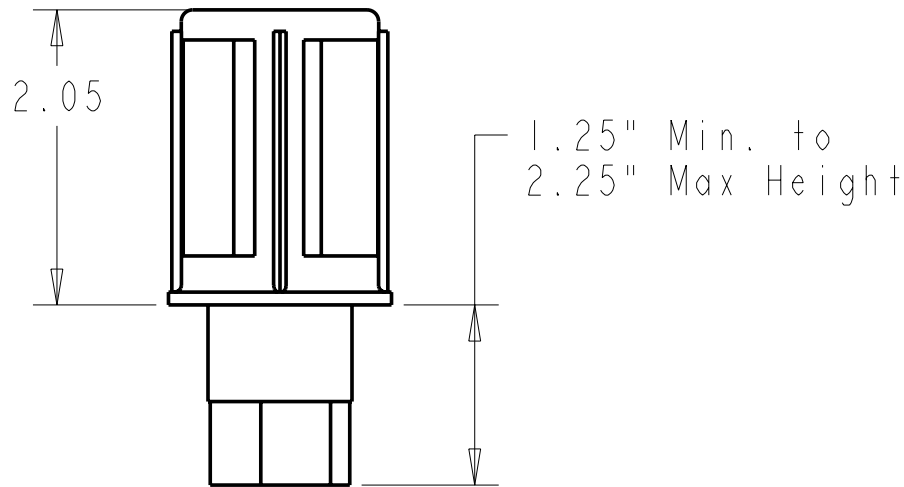
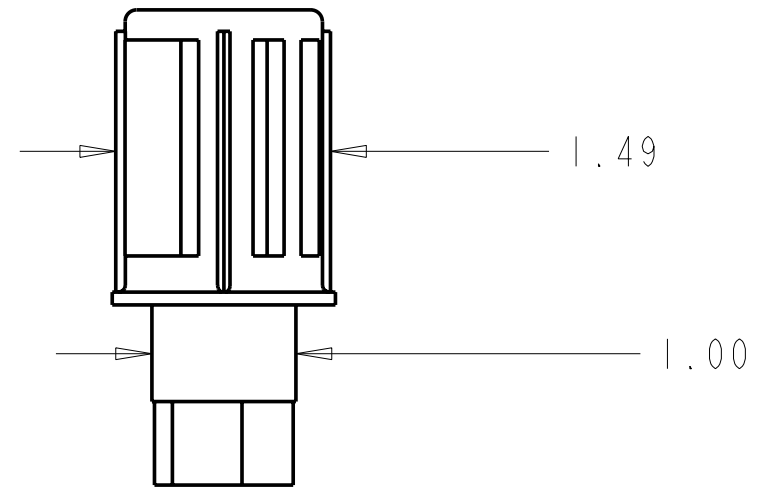


SCALE 0.750



SCALE 0.750



HAND * WARE- * PLUMBING & * COMMERCIAL * COMPONENTS & * SUPPLIES
SINKS * WASHING * DRAINAGE * EQUIPMENT

MODEL #: BK-SSQAF

DESCRIPTION: S/S Clad Metal

MATERIAL:

DATE:

DRAFTER:

SCALE: 6"=1"-0"

APPROVED BY:

REVISIONS

DATE

BK Resources

1609 WEST WERNING AVE., SUITE D
 EFFINGHAM, IL 62401
 (888)310-4393 / FAX (888)310-4394
 EMAIL: sales@bk-resources.com

VISIT OUR WEBSITE
www.bk-resources.com

Dimensions subject to change without prior notification. This illustration is the exclusive property of BK Resources. It may not be distributed in any manner without the express consent of BK Resources