



T&S BRASS AND BRONZE WORKS, INC.
 2 Saddleback Cove / P.O. Box 1088
 Travelers Rest, SC 29690

Model No.
EC-3142-ST-VF05

Item No.

Travelers Rest, SC: 800-476-4103 • Simi Valley, CA: 800-423-0150 • Fax: 864-834-3518 • www.tsbrass.com



ADA Compliant



This Space for Architect/Engineer Approval

Job Name _____ Date _____

Model Specified _____ Quantity _____

Customer/Wholesaler _____

Contractor _____

Architect/Engineer _____

Ø 2 1/2"
 [64mm]



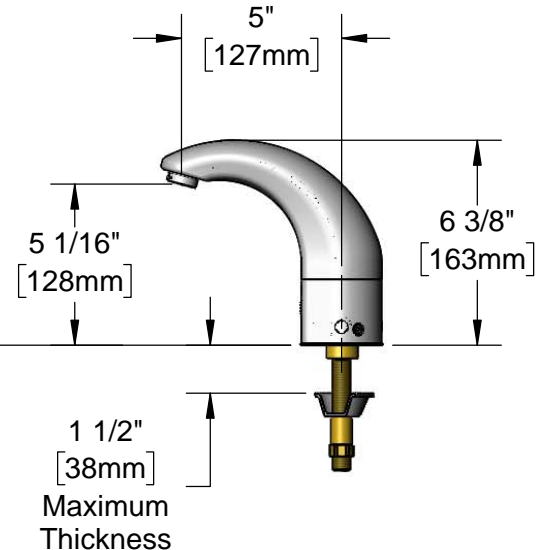
Internal Above Deck
 Electronics w/ Flow
 Control Setting Switches.
 Powered w/ 6 VDC
 Lithium Battery.

Cast Spout w/
 0.5 GPM [1.9 L/min]
 Vandal Resistant
 Non-Aerated Spray
 Device

Removable
 Anti-Rotation Pin

Mounting Surface

13/16"
 [21mm]



19" [483mm] Flexible
 Stainless Steel Supply Hose
 w/ 1/2" NPSM Swivel End &
 Filter Washer

Optional 100-240 VAC
 Adapter w/ 71" [1800mm]
 Power Cord

Check Valve Adapter
 w/ 3/8" Compression Inlet

Rough-In Requirement:

Ø 1 1/4" [32mm] Mounting Hole

Ø 3/16" [5mm] Anti-Rotation Pin Hole (Optional)

Product Specifications:

Chrome Plated Brass Above Deck Electronics Faucet, Single Hole
 Single Temperature Deck Mount, Cast Spout w/ 0.5 GPM VR
 Non-Aerated Spray Device, Battery or AC Adapter Powered,
 Stainless Steel Flexible Supply Line & 3/8" Compression Inlet

Product Compliance:

ASME A112.18.1 / CSA B125.1
 NSF 61 - Section 9
 NSF 372 (Low Lead Content)
 ANSI A117.1 (ADA)
 UL 1951



T&S BRASS AND BRONZE WORKS, INC.

2 Saddleback Cove / P.O. Box 1088
Travelers Rest, SC 29690

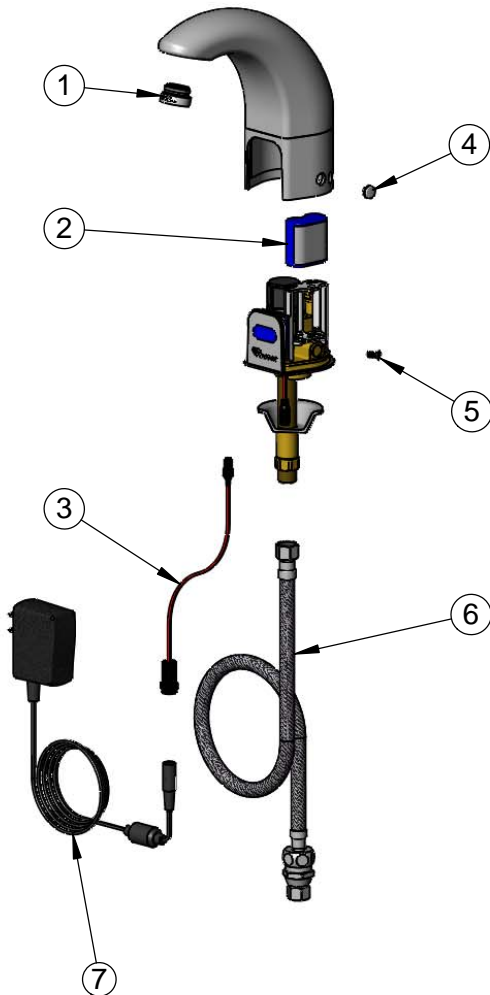
Model No.

EC-3142-ST-VF05

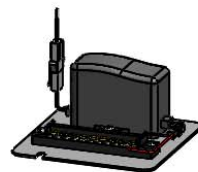
Item No.

Travelers Rest, SC: 800-476-4103 • Simi Valley, CA: 800-423-0150 • Fax: 864-834-3518 • www.tsbrass.com

ITEM NO.	SALES NO.	DESCRIPTION
1	B-0199-08-N05	0.5 GPM VR Non-Aerated Spray Device, 13/16-27 Male w/ Key
2	019087-45	6VDC Lithium Battery, CR-P2
3	019088-45	Auxiliary Power Connector Cable
4	019086-45	Body Plug, Pre-Set Temperature
5	019082-45	Body Screw w/ L-Key
6	018544-45	SS Flex Hose w/ Check Valve Adapter
7	5EF-0002	A/C Transformer



A maximum of (8) ChekPoint faucets can be powered by EC-HARDWIRE ChekPoint Hardwire AC Transformer when connected using EC-ADEWIRE cables. (Both sold separately)



015425-45
VR Aerator Key



018543-45
Torx T-20 VR L-Key

Flow Control Switches are Located Behind the Sensor.
Remove Battery to Access Switches.

- * Switches are set to DEFAULT position:
 - Auto Time Out = 15 seconds
 - Shut Off Delay = 1 second
 - Auto Flush = OFF

- * Available Water Flow Control Selections:
 - Auto Time Out: 15 sec, 30 sec, 45 sec, 60 sec, 3 min, 20 min
 - Shut Off Delay: 1 sec, 10 sec, 15 sec, 30 sec
 - Auto Flush (30 Seconds After Every 12 Inactive Hours): ON or OFF

Product Specifications:

Chrome Plated Brass Above Deck Electronics Faucet, Single Hole
Single Temperature Deck Mount, Cast Spout w/ 0.5 GPM VR
Non-Aerated Spray Device, Battery or AC Adapter Powered,
Stainless Steel Flexible Supply Line & 3/8" Compression Inlet

Product Compliance:

ASME A112.18.1 / CSA B125.1
NSF 61 - Section 9
NSF 372 (Low Lead Content)
ANSI A117.1 (ADA)
UL 1951