

# Copper Beech Range

## Gas Radiant Broiler



Model: CBRB-36



- CBRB-16 16" wide gas radiant broiler
- CBRB-24 24" wide gas radiant broiler
- CBRB-36 36" wide gas radiant broiler
- CBRB-48 48" wide gas radiant broiler
- CBRB-60 60" wide gas radiant broiler

### STANDARD FEATURES

- Stainless steel front, w/ galvanized sides
- Steel U-shape burner (30,000 BTU/hr) each
- To be controlled every 12 "
- Hot rolled steel radiant cover with cast iron grate
- Standby S/S pilot for easy start
- Adjustable heavy duty legs
- Grease trough channel in the front
- Stainless steel oil collector in the bottom
- Stainless steel splash guard on 3 sides
- Durable brass control valve
- Easy access to pilot valve adjustment screws
- Easy gas conversion in the field
- 3/4" NPT rear gas connection
- Shipped with gas regulator
- One year limited parts and labor warranty

### INSTALLATION INSTRUCTIONS

1. A gas pressure regulator supplied with the unit must be installed. Natural Gas 4.0" (102 mm) W.C. Propane Gas 10.0" (254 mm) W.C.
2. An adequate ventilation system is required for commercial cooking equipment.
3. These units are manufactured for installation in accordance with National Fuel Gas Code, ANSI-Z223.1/NFPA #54 (latest edition).
4. This appliance is intended for commercial installation only and is not intended for home use.
5. Equipment clearance requirement:

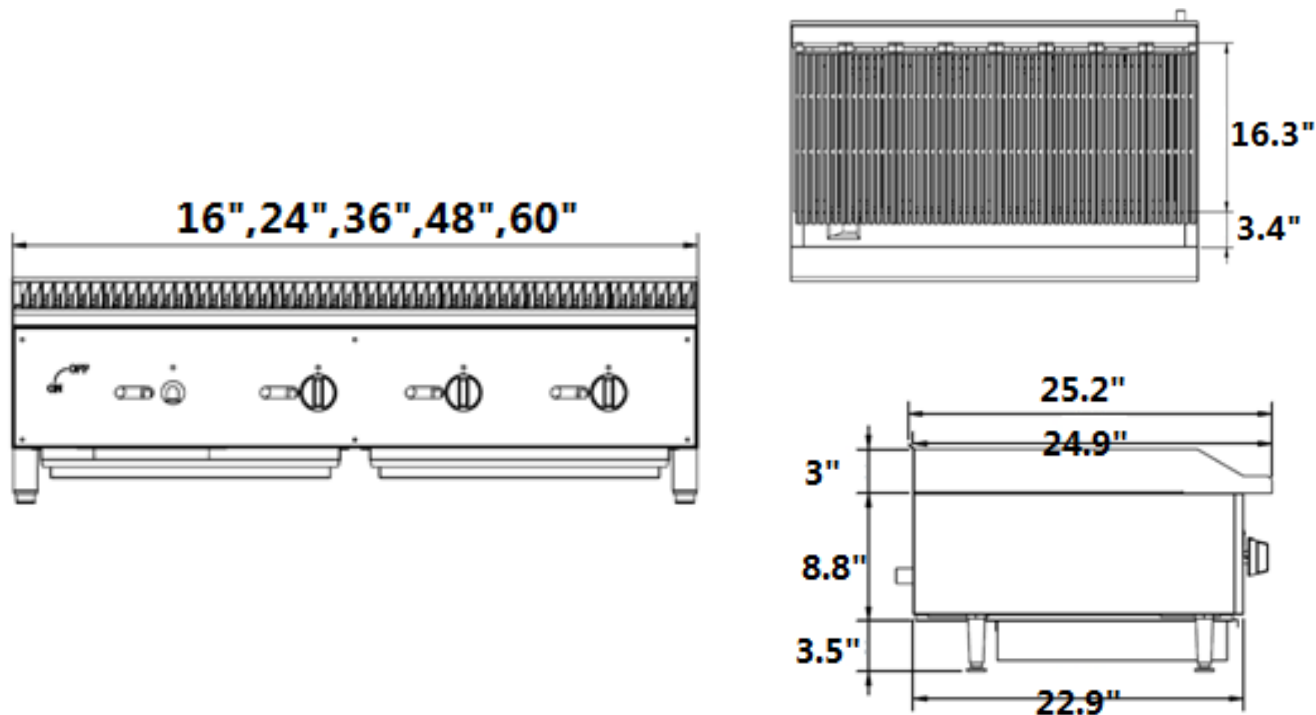
Non-Combustibles	Combustibles
Sides 0"	Sides 4"
Back 0"	Back 4"
6. All the installation must be performed by qualified technicians.
7. For gas conversion, please refer to conversion instructions in the Instruction Manual Book.



# Copper Beech Range

## Gas Radiant Broiler

### INSTALLATION DRAWING



Model	Description	Total Input BTU/HR	Packing Size(IN)	N/W (LB)	G/W (LB)
CBRB-16	Gas radiant broiler	30,000	19x30x20	108	126
CBRB-24	Gas radiant broiler	60,000	28x30x20	119	154
CBRB-36	Gas radiant broiler	90,000	39x30x20	163	210
CBRB-48	Gas radiant broiler	120,000	50x30x20	216	298
CBRB-60	Gas radiant broiler	150,000	63x30x20	269	368

