



GOLD MEDAL® PRODUCTS CO.

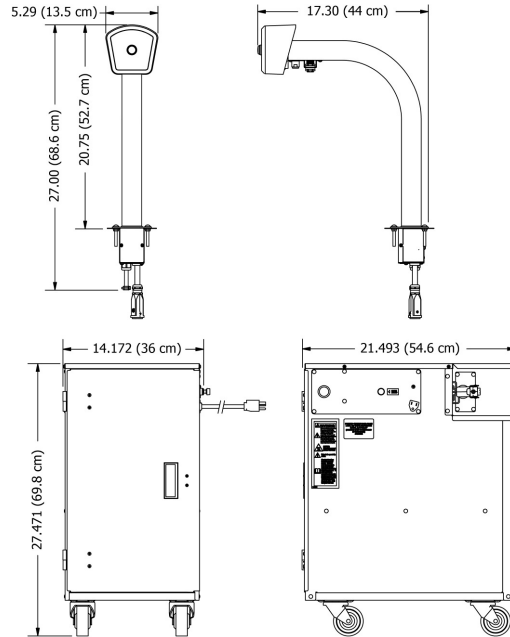
Popcorn Topping Dispenser

Model No. 2396-00-220 and 2396-00-221

Specifications



**Model without photo-eye shown above.
Countertop to be provided by customer.**



Model with photo-eye shown above.

Overall Dimensions:

Width: Refer to drawing shown above.

Depth:

Height:

Power cord is attached to enclosed rack assembly—pedestal connects to rack with an electrical cable.

Electrical - Domestic

120V

324 WATTS 60 Hz

(NEMA 5-15P) Plug

Plug Type:



NEMA 5-15P

Agency Approvals:



Model Description:

2396-00-220 - Single pedestal—no photo-eye, one enclosed rolling rack assembly.

2396-00-221 - Single pedestal with photo-eye, one enclosed rolling rack assembly.

Features:

- LED Lighted Sign on Pedestal
- Forced air heating system, controls temperature of cabinet to 120-130°F.
- Heater in pedestal assures dispense temperature of 110-130°F.
- Heated line capability (heated line sold separately).
- Stainless steel drip tray included with unit.
- Enclosed stainless steel rack on casters; holds (2) 35 lb. boxes of topping.

Options (sold separately): Heated Line Kit (2396-HL-200); ADA Remote Switch (2396-RS-200)



Gold Medal Products Co.

10700 Medallion Drive, Cincinnati, OH 45241

Ph: (513) 769-7676, (800) 543-0862; Fax: (513) 769-8500

gmpopcorn.com info@gmpopcorn.com