

Cleveland

Project _____
Item _____
Quantity _____
FCSI Section 11400 _____
Approved _____
Date _____

42" OPEN TYPE STANDS

TWO REMOVABLE DRAIN DRAWERS WITH SPLASH SHIELDS, ALL STAINLESS STEEL

Models

- ST-42



Standard Features

- All Stainless Steel construction with 1 1/4" square tubing
- Adjustable Feet (rear feet are flanged for Floor Bolting)
- Removable combination Drain Drawer (with Splash Shield) and Pan Support
- Ideal for mounting:
 - two KDT-3-Ts*
 - two KDT-D-Ts*
 - two KET-3-Ts
 - one TKET-3-T
 - one TKET-6-T

* Requires Direct Steam Adaptor Top accessory

Short Form Specifications

Shall be CLEVELAND, Open Type Equipment Stand with removable Drain Drawer, Splash Shield and Adaptor Top (optional), Model ST-42. All Stainless Steel construction with 1 1/4" square tubing. Furnished with Level Adjustable Feet (rear feet are flanged for Floor Bolting).

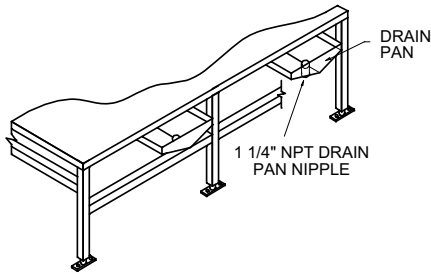
Options & Accessories

- Direct Steam Adaptor Top (AK)

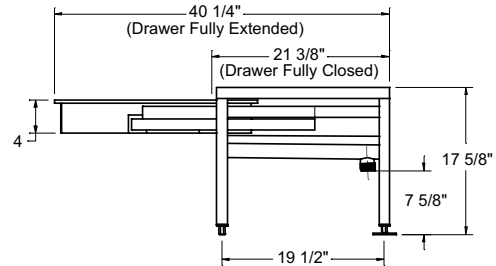
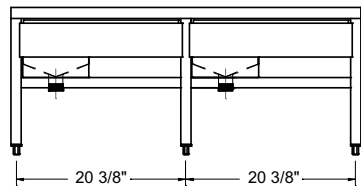
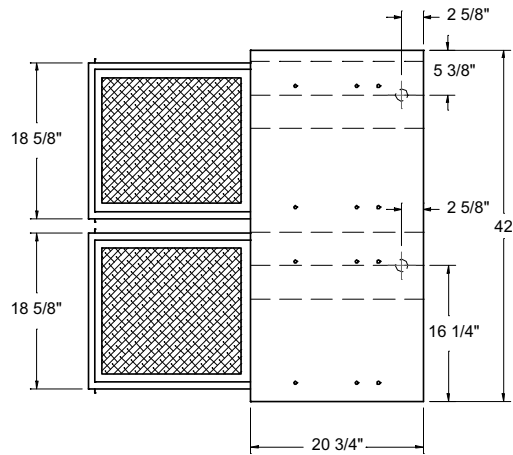
KE004046-124

Cleveland

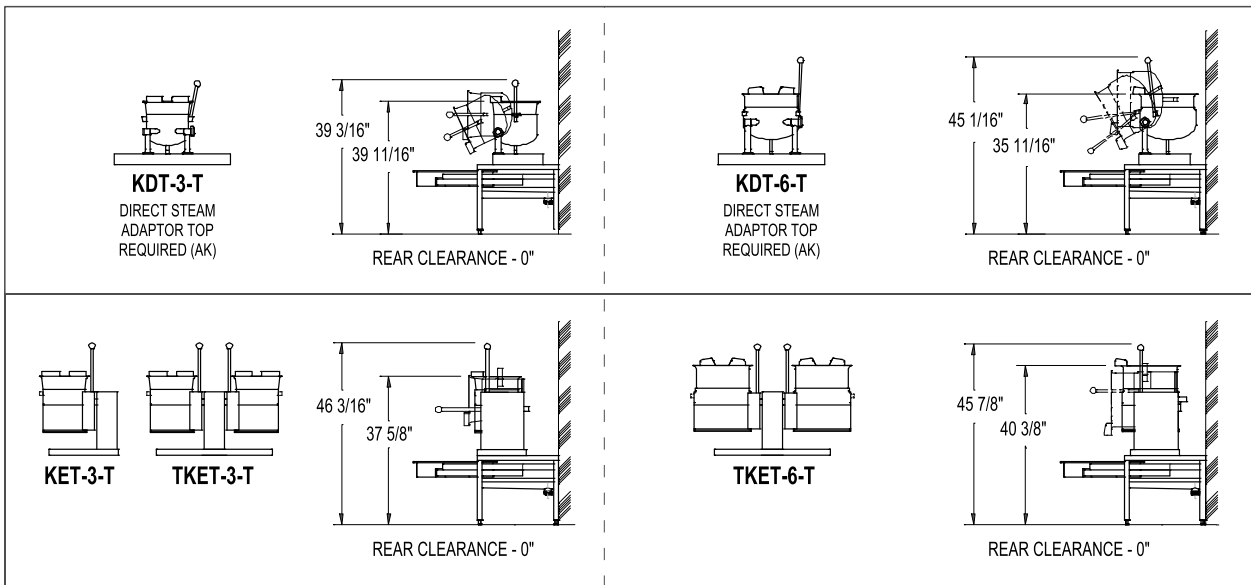
Modular Bases & Equipment Stands



REAR VIEW / DRAIN PAN DETAIL



MOUNTING OPTIONS (SELECT TWO SINGLE UNITS OR ONE TWIN UNIT PER STAND)



NOTES:

Cleveland Range reserves right of design improvement or modification, as warranted.
 Many regional, state and local codes exist and it is the responsibility of the owner and installer to comply with the codes.
 Installations of Back Flow Preventers, Vacuum Breakers and other specific code requirements are the responsibility of the Owner and Installer.
 Cleveland Range equipment is built to comply with applicable standards for manufacturers. Included among those approval agencies are U.L., NSF, CGA, CSA, ETL and others.

(NOT TO SCALE)

760 Beta Drive, Unit D
 Mayfield Village, Ohio 44143

Tel 1.216.481.4900
 Fax 1.216.481.3782
 Email steam@clevelandrange.com

www.clevelandrange.com
 Section 4, Page 30
 06 / 2021

Timeless Quality, Trusted For Life®