



**T&S BRASS AND BRONZE WORKS, INC.**  
 2 Saddleback Cove / P.O. Box 1088  
 Travelers Rest, SC 29690

Model No.  
**S-0113-A12-BJ**

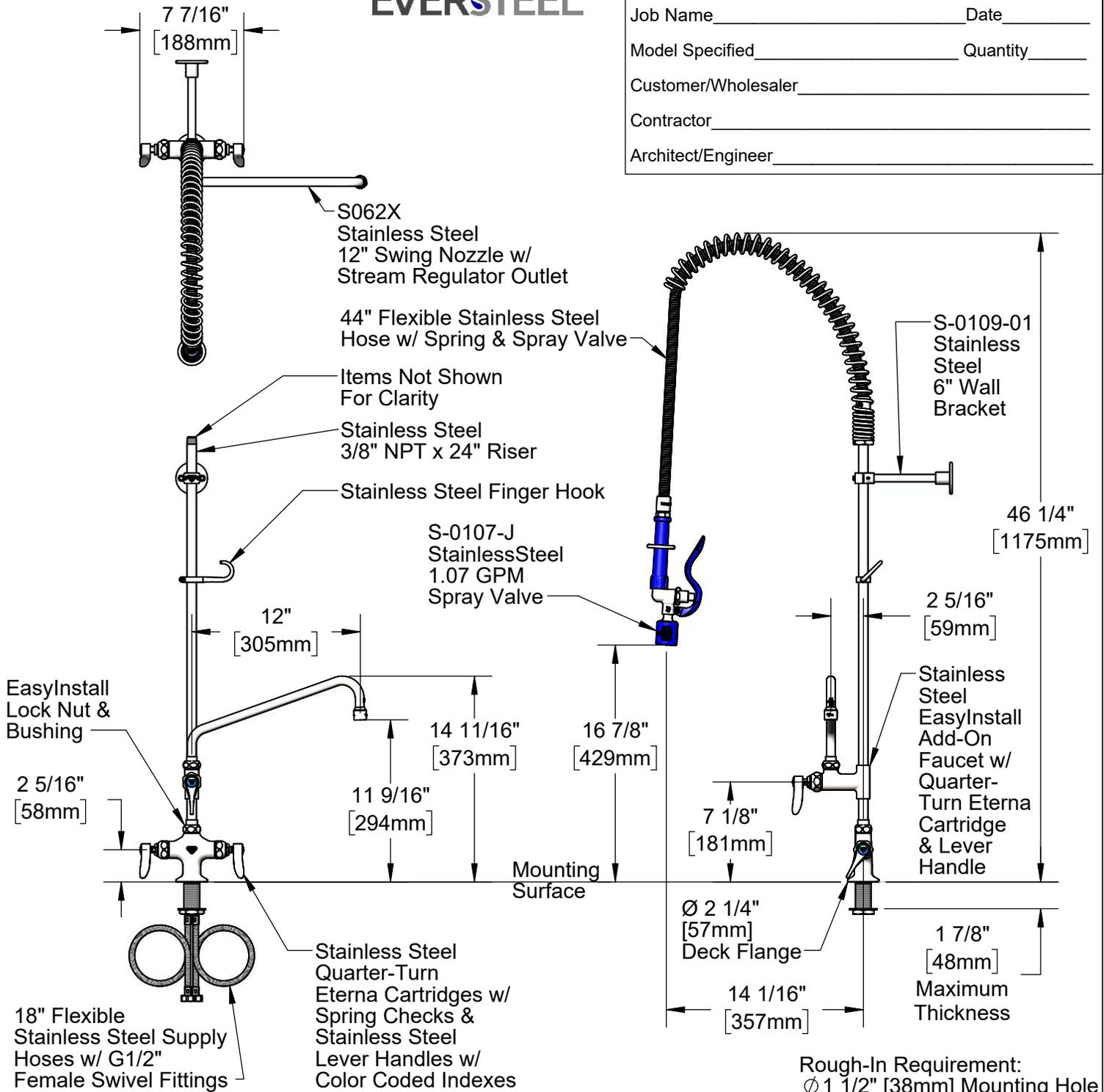
Item No.

Travelers Rest, SC: 800-476-4103 • Simi Valley, CA: 800-423-0150 • Fax: 864-834-3518 • www.tsbrass.com

**EVERSTEEL**

This Space for Architect/Engineer Approval

Job Name \_\_\_\_\_ Date \_\_\_\_\_  
 Model Specified \_\_\_\_\_ Quantity \_\_\_\_\_  
 Customer/Wholesaler \_\_\_\_\_  
 Contractor \_\_\_\_\_  
 Architect/Engineer \_\_\_\_\_



Product Specifications:  
 Pre-Rinse Unit: EasyInstall Stainless Steel Single Hole Deck Mount Mixing Faucet, SS Quarter-Turn Eterna Cartridges w/ Spring Checks, SS Lever Handles, SS Add-On Faucet, SS 12" Swing Nozzle, 44" Flexible Stainless Steel Hose, SS 1.07 GPM Spray Valve, SS 6" Wall Bracket & Flexible Stainless Steel Supply Hoses

Product Compliance:  
 ASME A112.18.1 / CSA B125.1  
 NSF 61 - Section 9  
 NSF 372 (Low Lead Content)  
 2019 DOE PRSV - Class II



# T&S BRASS AND BRONZE WORKS, INC.

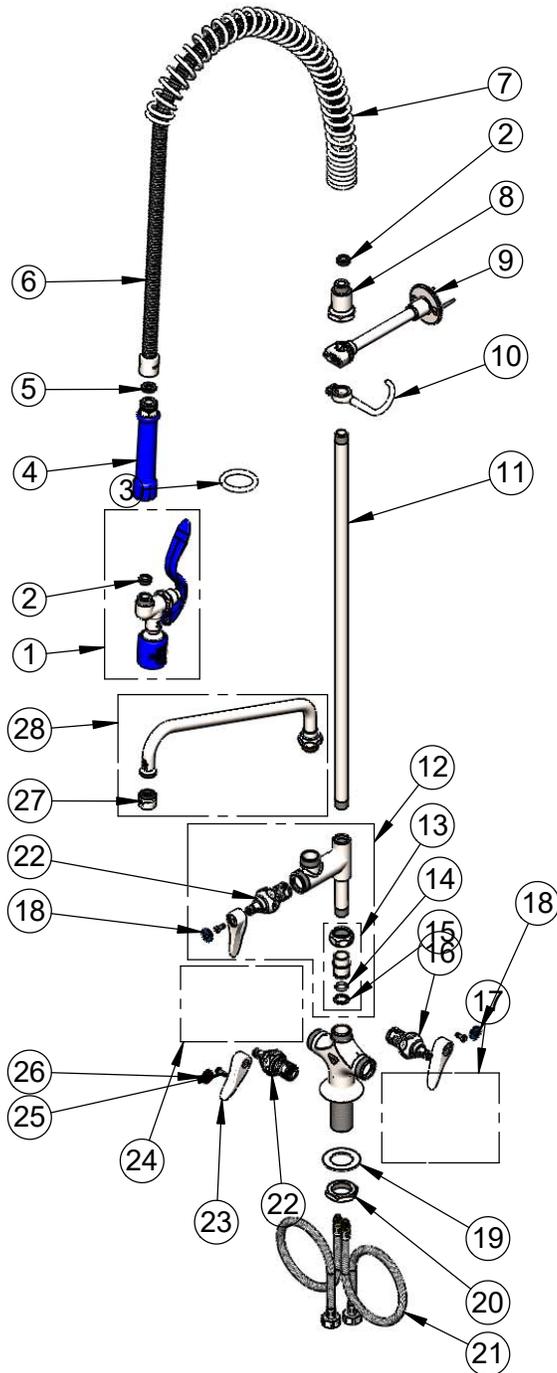
2 Saddleback Cove / P.O. Box 1088  
Travelers Rest, SC 29690

Model No.

**S-0113-A12-BJ**

Item No.

Travelers Rest, SC: 800-476-4103 • Simi Valley, CA: 800-423-0150 • Fax: 864-834-3518 • www.tsbrass.com



ITEM NO.	SALES NO.	DESCRIPTION
1	S-0107-J	Stainless Steel 1.07 GPM Spray Valve (Blue)
2	010476-45	#27 Washer
3	S000907-30	Spray Valve Hold Down Ring
4	S011482-30	Stainless Steel Grip Handle (Blue)
5	001014-45	Washer, Hose Barrel
6	S-0044-H2A	44" Flexible Stainless Steel Hose, Less Handle
7	S000888-30	SS EasyInstall Overhead Spring
8	S000821-30	Stainless Steel Spring Body
9	S-0109-01	Stainless Steel 6" Wall Bracket
10	S004R	Stainless Steel Finger Hook
11	S000372-30	Stainless Steel 3/8" NPT x 24" Riser
12	S-0155-LNEZ	Stainless Steel EasyInstall Add-On Faucet w/ Quarter-Turn Eterna Cartridge & Lever Handle, Less Nozzle
13	SEZ-K	Stainless Steel EasyInstall Kit: Nut, Bushing, O-Ring & Lock Washer
14	001065-45	O-Ring
15	014200-45	Star Washer, Anti-Rotation
16	S012442-30NS	Stainless Steel Quarter-Turn Eterna Cartridge w/ Spring Check, LTC
17	S002711-30NS	Stainless Steel Quarter-Turn Eterna Cartridge w/ Spring Check, Handle, Blue Index & Screw, LTC
18	018506-19NS	Blue Button Index, Press-in
19	S007365-20	Stainless Steel Lock Washer
20	S000965-20	Stainless Steel Lock Nut
21	012436-45DR	Flexible Connector Hose
22	S012443-30NS	Stainless Steel Quarter-Turn Eterna Cartridge w/ Spring Check, RTC
23	S001638-30NS	Lever Handle (New Style)
24	S002712-30NS	Stainless Steel Quarter-Turn Eterna Cartridge w/ Spring Check, Handle, Red Index & Screw, RTC
25	000925-45	Lab Handle Screw
26	001193-19NS	Red Button Index, Press-in
27	S-PT	SS Full Flow Stream Regulator, 55/64-27
28	S062X	Stainless Steel 12" Swing Nozzle

**Product Specifications:**

Pre-Rinse Unit: EasyInstall Stainless Steel Single Hole Deck Mount Mixing Faucet, SS Quarter-Turn Eterna Cartridges w/ Spring Checks, SS Lever Handles, SS Add-On Faucet, SS 12" Swing Nozzle, 44" Flexible Stainless Steel Hose, SS 1.07 GPM Spray Valve, SS 6" Wall Bracket & Flexible Stainless Steel Supply Hoses

**Product Compliance:**

ASME A112.18.1 / CSA B125.1  
NSF 61 - Section 9  
NSF 372 (Low Lead Content)  
2019 DOE PRSV - Class II