



Special Features:

- ✓ Stainless Kitchen Filler Tables
- ✓ Work Area: Stainless Flat Top 2.5ft² - 3.75ft²
- ✓ Sturdy 18-Gauge 430 Stainless Steel Work Area
- ✓ High Loading Capacity for Work Area & Undershelf
- ✓ Undershelf Material: 18-Gauge Galvanized Steel
- ✓ 1-1/2" Backsplash
- ✓ Galvanized Steel Hat Channel
- ✓ Galvanized Steel Legs
- ✓ Plastic Adjustable Bullet Feet

About Empura Filler Tables:

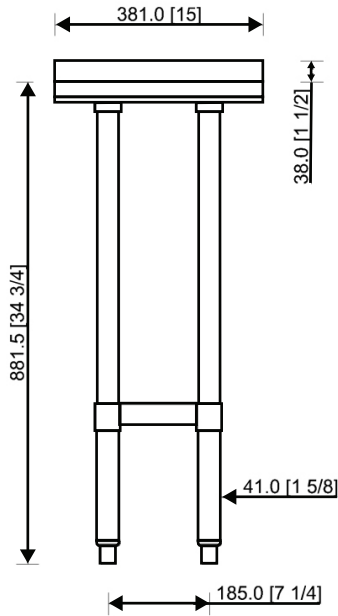
Empura Stainless filler tables offer a versatile solution for commercial kitchens with their range of sizes and durable construction. Available in four sizes, with widths of 15" and 18" and depths of 24" and 30", these tables cater to various space requirements. The top, crafted from sturdy 18-gauge 430 stainless steel, ensures longevity and ease of cleaning. Supported by galvanized steel legs and an undershelf, these tables provide stability and ample storage space. The adjustable plastic feet accommodate uneven surfaces, enhancing stability further. Featuring a 1-1/2" backsplash and a galvanized steel hat channel, Empura Stainless filler tables combine functionality with durability, making them essential assets in any busy kitchen environment..

TECHNICAL SPECS

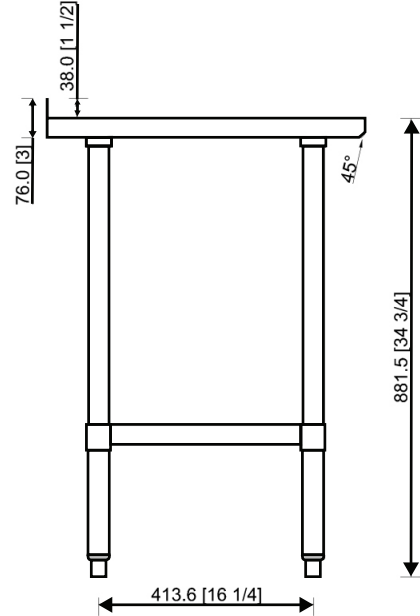
Model #	FT1524E	FT1530E	FT1824E	FT1830E
Overall Width	15"	15"	18"	18"
Overall Depth	24"	30"	24"	30"
Overall Height	34-3/4"	34-3/4"	34-3/4"	34-3/4"
Undershelf Width	7-1/4"	7-1/4"	10-1/4"	10-1/4"
Undershelf Depth	16-1/4"	22-1/4"	16-1/4"	22-1/4"
Backsplash Height	1-1/2"	1-1/2"	1-1/2"	1-1/2"
Top Shelf Loading Capacity	400 lb	400 lb	420 lb	420 lb
Undershelf Loading Capacity	280 lb	280 lb	300 lb	300 lb
Shipping Weight	27.3 lb	29.5 lb	29.7 lb	32.6 lb
Top Shelf Material	403 Stainless Steel	403 Stainless Steel	403 Stainless Steel	403 Stainless Steel
Top Shelf Gauge	18	18	18	18
Undershelf Material	Galvanized Steel	Galvanized Steel	Galvanized Steel	Galvanized Steel
Undershelf Gauge	18	18	18	18
Hat Channel Material	Galvanized Steel	Galvanized Steel	Galvanized Steel	Galvanized Steel
Leg Material	Galvanized Steel	Galvanized Steel	Galvanized Steel	Galvanized Steel
Foot Material	Plastic	Plastic	Plastic	Plastic

FT1524E

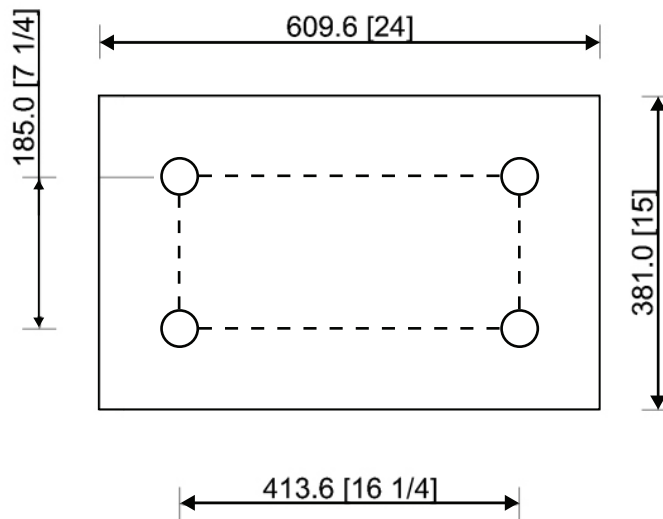
Front View



Side View



Top View

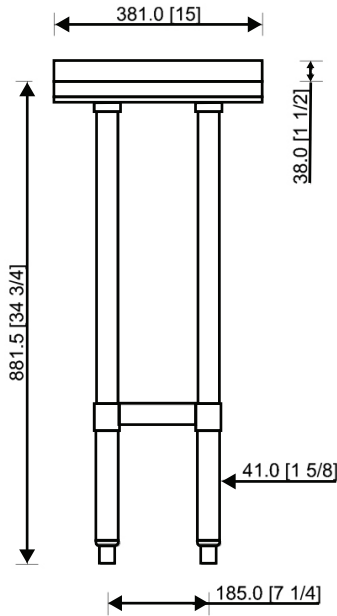


Intended For Commercial Use Only. Empura assumes no liability for component failure, factory defects or any other damages for units installed in non-commercial foodservice or residential applications.

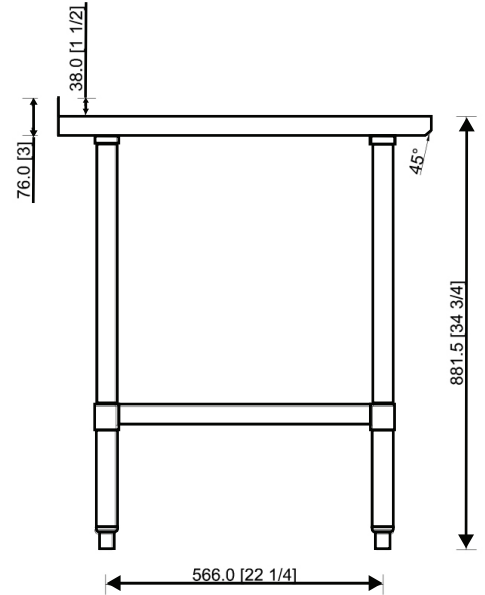
Attention CA Residents: This product can expose you to chemicals including lead, which are known to the State of California to cause cancer, birth defects, or other reproductive harm. For more information, go to www.p65warnings.ca.gov.

FT1530E

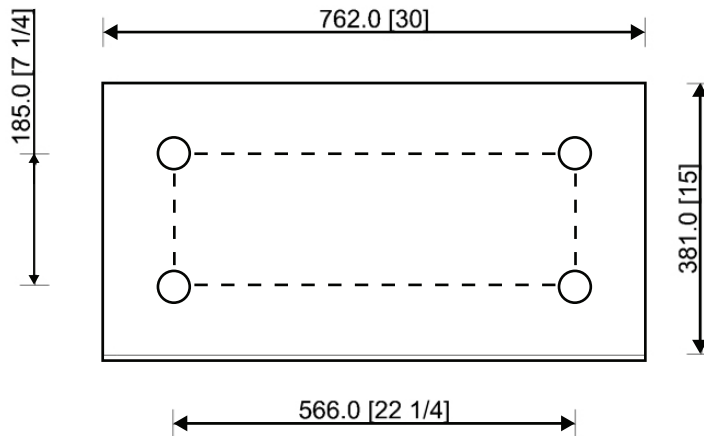
Front View



Side View



Top View

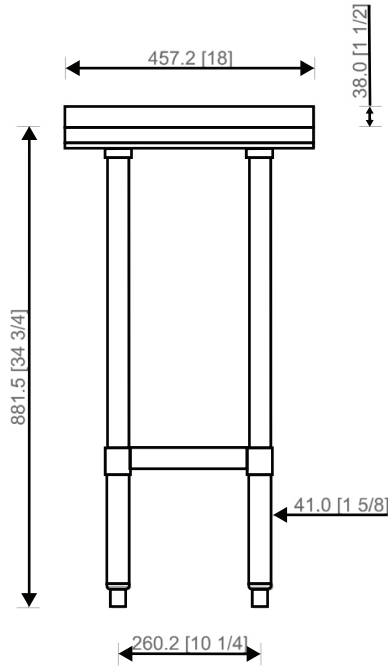


Intended For Commercial Use Only. Empura assumes no liability for component failure, factory defects or any other damages for units installed in non-commercial foodservice or residential applications.

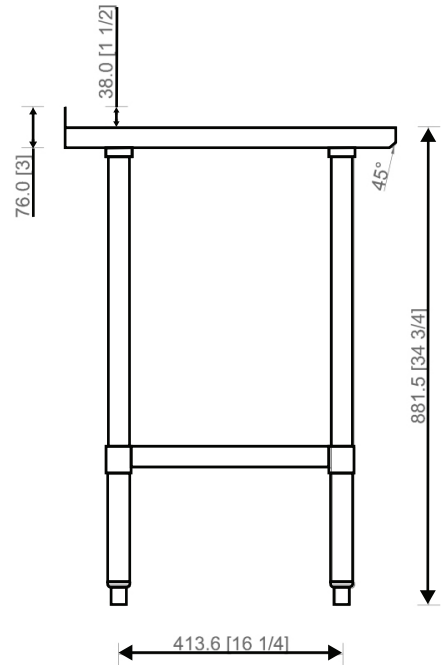
Attention CA Residents: This product can expose you to chemicals including lead, which are known to the State of California to cause cancer, birth defects, or other reproductive harm. For more information, go to www.p65warnings.ca.gov.

FT1824E

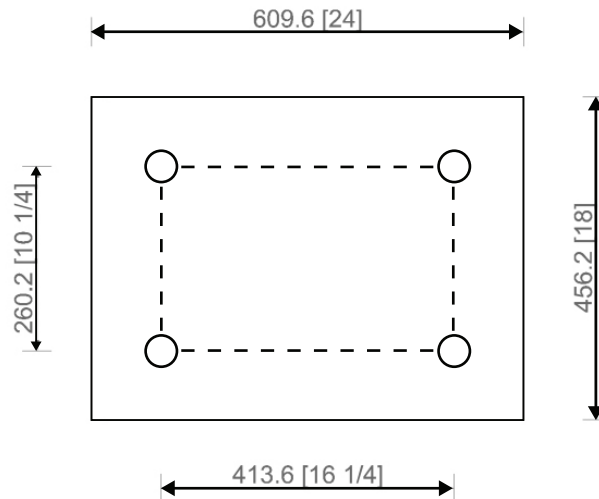
Front View



Side View



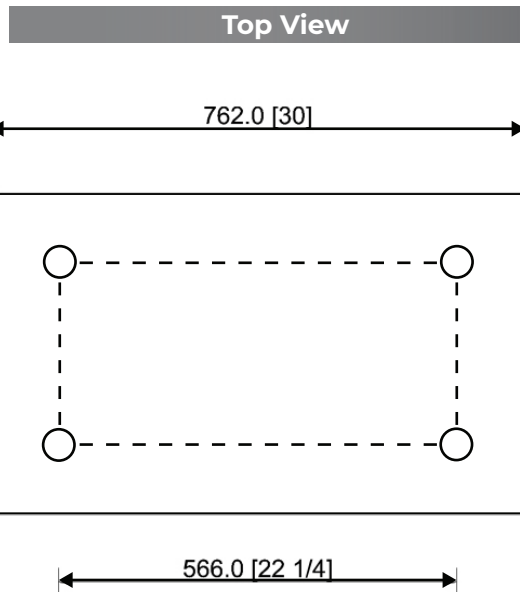
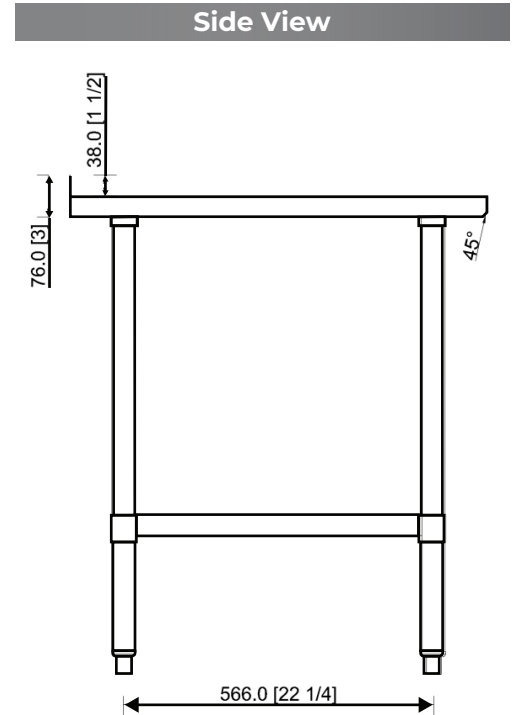
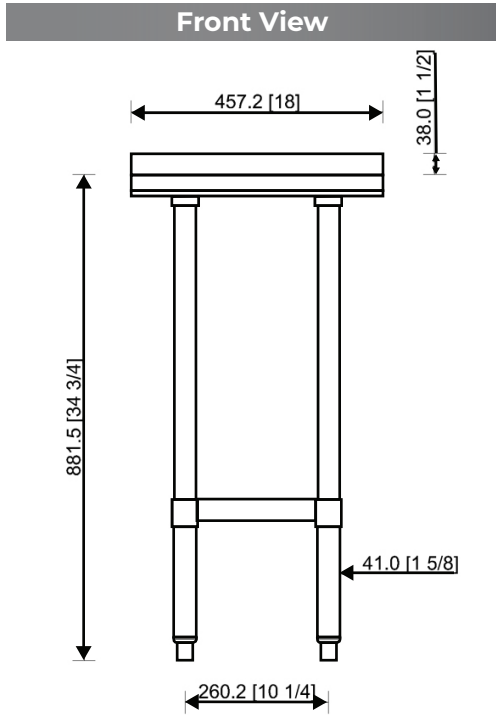
Top View



Intended For Commercial Use Only. Empura assumes no liability for component failure, factory defects or any other damages for units installed in non-commercial foodservice or residential applications.

Attention CA Residents: This product can expose you to chemicals including lead, which are known to the State of California to cause cancer, birth defects, or other reproductive harm. For more information, go to www.p65warnings.ca.gov.

FT1830E



Intended For Commercial Use Only. Empura assumes no liability for component failure, factory defects or any other damages for units installed in non-commercial foodservice or residential applications.

Attention CA Residents: This product can expose you to chemicals including lead, which are known to the State of California to cause cancer, birth defects, or other reproductive harm. For more information, go to www.p65warnings.ca.gov.