

Cuisine Series Heavy Duty Griddle Top Range

Project _____
 Item _____
 Quantity _____
 CSI Section 11400
 Approved _____
 Date _____

Models

- C24-19S
- C24-19M



Model C24-19S
 24" Plancha
 (shown with optional door)

Standard Features

- 20,000 BTU/h (NG) burners
- Stainless steel front and sides
- Stainless steel front rail
- 1-1/4" NPT front gas manifold
- Can be installed individually or in a battery
- 7" (178mm) high stainless steel stub back
- 6" (152mm) stainless steel adj. legs
- Modular unit (M) can be mounted on Polar Cuisine refrigerated base

Options & Accessories

- Single or double deck high shelf or back riser
- Full-height stand for modular base with legs or casters
- Stainless steel intermediate shelf for cabinet base
- Stainless steel door(s) for cabinet base units
- Stainless steel back
- Continuous plate rail, 48"-72" for battery installations
- Gas shut-off valves: 3/4", 1", 1 1/4" NPT (Specify)
- Gas regulator: 3/4", 1", 1 1/4" NPT (Specify)
- Gas flex hose w/ quick disconnect: 3/4", 1", 1 1/4" (Specify)
- Rear gas connection: 3/4" NPT
- Set of (4) flanged feet (for fastening unit to the floor)
- Set of (4) 5" polyurethane non-marking swivel casters w/front brakes
- Set of (4) 6" swivel casters w/front brakes
- Extension for 1/9 pans

Specifications

Garland Cuisine 24" (610mm) wide Heavy Duty Range Series. Model _____ with total BTU/h rating of _____ when used with natural/propane gas. Stainless steel front and sides. 6" (152mm) legs with adjustable feet.

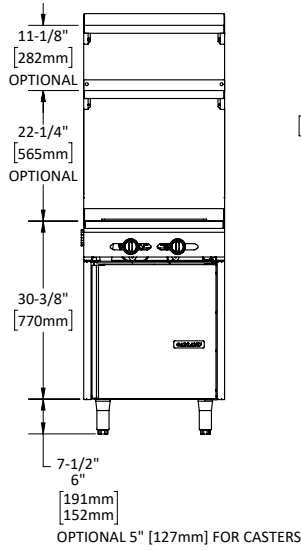
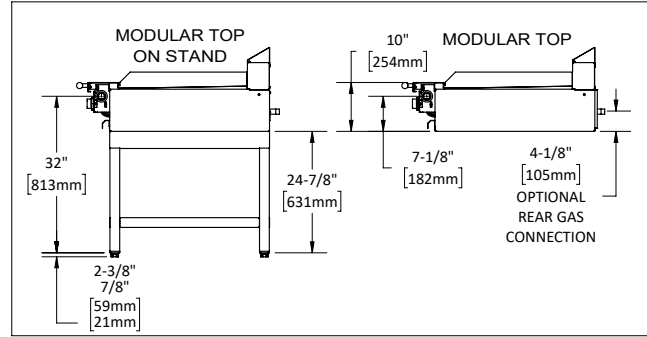
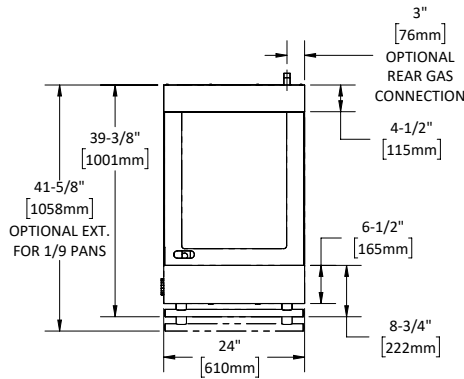
Plancha - 1" (25mm) thick steel plate griddl with 3" (76mm) wide grease trough. Burners rated 20,000 BTU/h each. One burner per 12" (305mm) griddle section.

NOTE: Ranges supplied with casters must be installed with an approved restraining device.

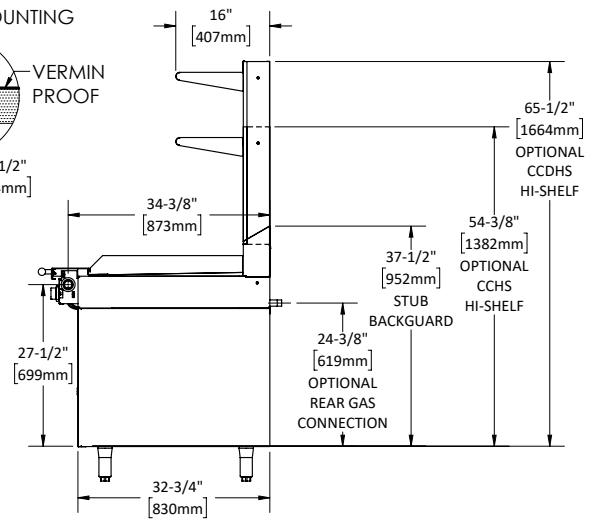
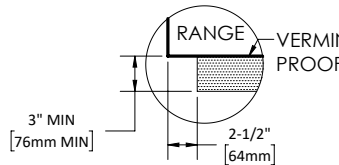


Cuisine Series Heavy Duty Griddle Top Range

Cuisine Series Heavy Duty Griddle Top Range



CURB/DAIS MOUNTING



Model #	Description	Total BTU/h NAT. Gas	Total BTU/h Propane	Shipping		Individual Burner Ratings (BTU/h)		
				Cu Ft	lbs/kg	Burner	NAT.	PRO.
C24-19S	24" Plancha - w/Storage Base	20,000	19,000	35	380/172	Plancha Griddle	20,000	19,000
C24-19M	24" Plancha - w/Modular Top	20,000	19,000	35	342/155			
Interior Dimensions: In (mm)								
Product	Height	Width	Depth					
Cabinet Base	20-1/2 (521)	32-1/4 (819)	31 (787)					
Gas Pressure								
Gas Pressure	NAT.	PRO.						
Minimum Supply	7" WC	11" WC						
Manifold Operating Pressure	6" WC	10" WC						
Gas Manifold 1-1/4" NPT								

Combustible Wall Clearance	
Sides	Back
10" (254mm)	6" (152mm)

Garland reserves the right to make changes to the design or specifications without prior notice.

Garland Commercial Ranges Ltd.
1177 Kamato Road,
Mississauga, Ontario
L4W 1X4 CANADA

General Inquires 1-905-624-0260
USA Sales, Parts and Service 1-800-424-2411
Canadian Sales 1-888-442-7526
Canada or USA Parts/Service 1-800-427-6668

www.garland-group.com
8009
03/24

