



SPEC SHEET

KoolMore 24 in. One-Door Merchandiser Refrigerator - 12 Cu. Ft.

SKU: MDR-1GD-12C

FEATURES

- Automatic Defrost and Dynamic Cooling System.
- LED Interior Illumination.
- Double-Sided, Double-Layer Tempered Glass.
- Adjustable Shelving.
- Self-Evaporation Water Tray



CLOSE UP IMAGES



TECHNICAL SPECS

Dimensions

Depth	24.25
Width	23.75
Height	72.75
Interior Depth	18.9
Interior Width	21.1
Interior Height	52.7
Shelf Width	20.9
Shelf Depth	16.5
Depth Including Handles	23.7
Depth Excluding Handles	23.6
Depth Less Door	18.9
Depth With Door Open 90 Degrees	43.9
Power Cord Length	70.8
Minimum Back Air Clearance	4 in.
Minimum Side Air Clearance	4 in.

Capacity

Weight	148
Gross Cubic Feet	12.8
Net Capacity Cu. Ft.	12
Individual Shelf Capacity	49.1 lbs

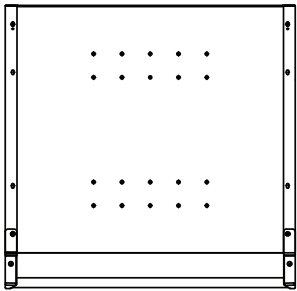
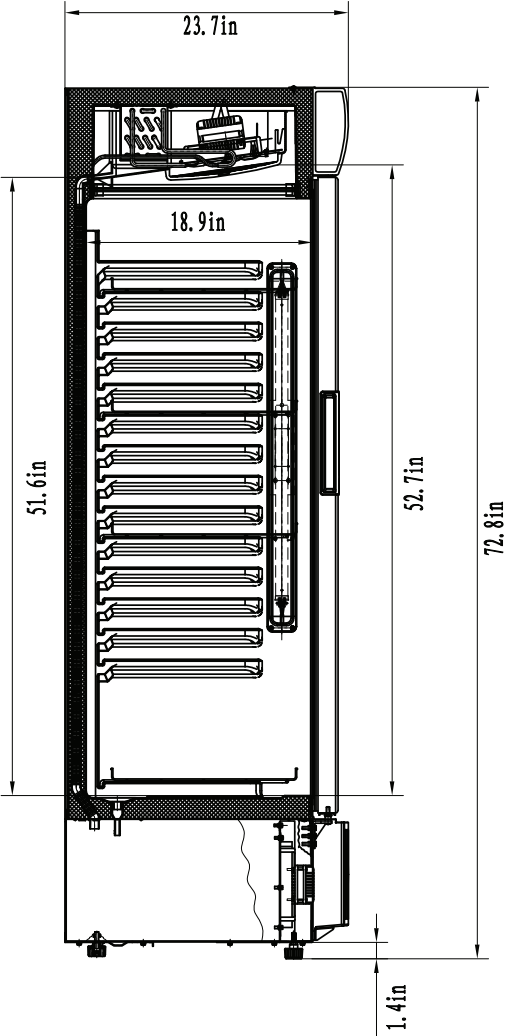
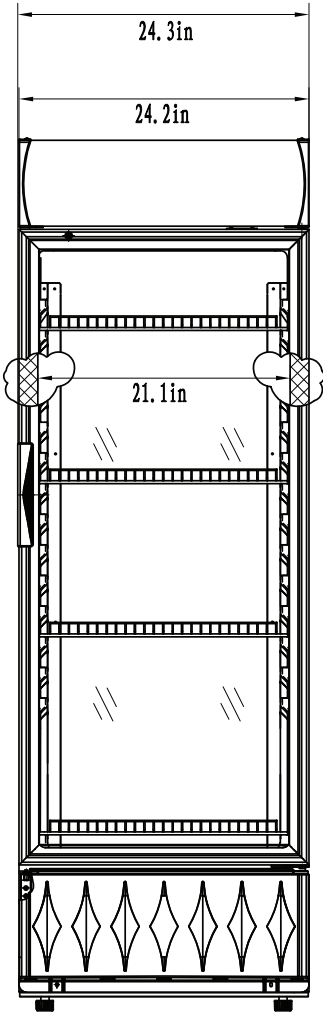
Features & Material

Door Style	Swing
Number Of Doors	1
Number Of Shelves	4
Defrost Type	Automatic
Refrigerant Type	R-600a
Temperature Control Type	
Ambient Temperature Range	50-100.4 F
Temperature Range	32-50 F
Noise	55 db
Exterior Material	Powder Coated Steel
Interior Material	ABS Plastic
Shelf Material Type	White Powder Coated Steel

Electric Data & Certifications

Amps	2.7
Phase	1
Plug Type	NEMA 5-15P
Voltage	115
Hertz	60
Wattage	280
Certifications	ETL Listed for Safety and Sanitation

Plan View



CERTIFICATIONS

Intertek Intertek



706 Eastern Parkway STE 1G, Brooklyn NY 11213
718-576-6342
info@koolmore.com