

50Hz iP0320 Ice Cube Machine

Models

IDP0320A IYP0320A



R290



Indigo NXT Series iP0320
Ice Machine on D320 Bin
*Ice machine and bin sold separately

Designed for operators who know that ice is critical to their business, the Indigo NXT Series ice machine's preventative diagnostics continually monitor itself for reliable ice production. Improvements in cleanability and programmability make your ice machine easy to own and less expensive to operate.

- **R290 Natural Refrigerant** - Minimize global warming potential and still maintain high performance with R290 Propane Refrigerant.
- **easyTouch® Display** - New icon based touch screen takes the guess work out of owning and operating an ice machine.
- **Multiple Language Capability** - The easyTouch display is available in multiple languages selected in the initial start-up installation Wizard.
- **Programmable Ice Production** - Now its super easy to program your ice machine to be off at certain times of the day to save money with fluctuating electrical rates. Also programmable by daily ice production volume and night time programming.
- **Easy to Clean Foodzone** - Hinge front door swing out for easy access. Removable water-trough, distribution tube, curtain, water probe and water pump for fast and efficient cleaning. Selected components are made with AlphaSan® antimicrobial.
- **Intelligent Diagnostics** - Provides 24 hour preventative maintenance and diagnostic feedback for trouble free operation.
- **Acoustical Ice Sensing Probe** - Unique patented technology allows for reliable operation in challenging water conditions and environments
- Available **LuminIce® II Virus and Bacteria Inhibitor** - Controls viruses, bacteria, mold and yeast within the food zone to keep the ice machine cleaner longer. A new sanitation icon lets you know the operational status.
- **Active Sense** - insures consistent ice harvest in all environmental conditions. This software works in conjunction with the acoustical ice sensing probe improving reliability and performance.

Ice Machine Electric

230/50 /1

Minimum circuit ampacity:

Air-cooled: 6.0

Maximum fuse size:

Air-cooled: 15 1ph



Specifications

BTU Per Hour:
3,800 (average),
and 4,800 (peak)

Refrigerant:

R290 CFS Free.
Non-ozone depleting
and near zero GWP

Operating Limits:

- Ambient Temperature Range:
40° to 110° F (4.4° to 43.3° C)
Water Temperature Range:
40° to 90° F (4.4° to 32.2° C)
- Water Pressure Ice Maker
Water In:
Min. 20 psi (137.9 kPa)
Max. 80 psi (551.1 kPa)

Ice Shape



Half Dice
3/8" x 1 1/8" x 7/8"
(.95 x 2.86 x 2.22 cm)
Cube weight 5.7 g



Dice
7/8" x 7/8" x 7/8"
(2.22 x 2.22 x 2.22 cm)
Cube weight 8.5 g



Indigo® NXT™ iP0320 Ice Cube Machine



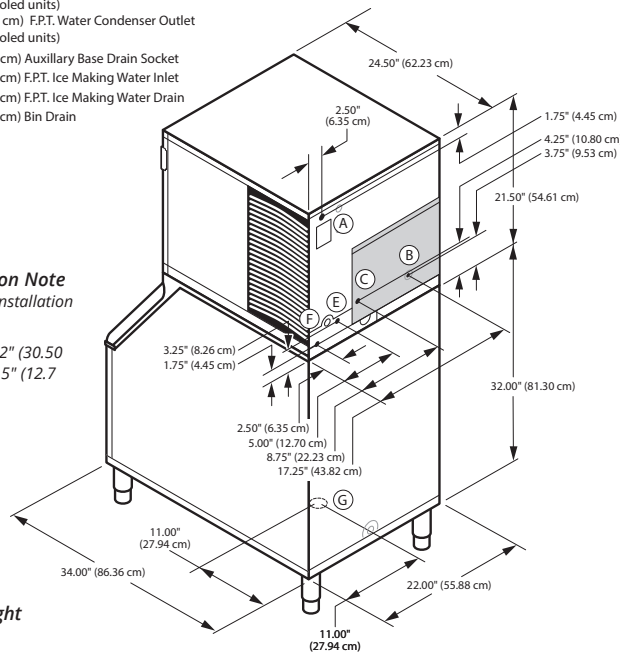
50Hz

Indigo® NXT™ iP0320 Ice Cube Machine

iP0320 on D-320 Storage Bin

- Ⓐ Electrical Entrance (2) Options
- Ⓑ 3/8" (0.95 cm) F.P.T. Water Condenser Inlet (water-cooled units)
- Ⓒ 1/2" (1.27 cm) F.P.T. Water Condenser Outlet (water-cooled units)
- Ⓓ 1/2" (1.27 cm) Auxiliary Base Drain Socket
- Ⓔ 3/8" (0.95 cm) F.P.T. Ice Making Water Inlet
- Ⓕ 1/2" (1.27 cm) F.P.T. Ice Making Water Drain
- Ⓖ 3/4" (1.91 cm) Bin Drain

Installation Note
Minimum installation clearance:
Top/side: 12" (30.50 cm)
Back is 5" (12.7 cm)



Shipping Weight
67 kg
147 lbs

Space-Saving Design



	iP0320 D-320	iP0320 D-420
Height	59.50" 151.13 cm	71.50" 181.61 cm
Width	22.00" 55.88 cm	22.00" 55.88 cm
Depth	34.00" 86.30 cm	34.00" 86.30 cm
Bin Storage	264 lbs. 118 kgs.	383 lbs. 174 kgs.

Height includes adjustable bin legs 6.00" to 8.00", (15.24 to 20.32 cm) set at 6.00" (15.24 cm).
Bin capacity is based on 90% of the volume x 33 lbs/ft³ average density of ice.

Specifications

AIR COOLED	Model	Ice Shape	Ice Production 24 Hours		Power Usage kWh 45.4 kg / 100 lbs @ 32°Air / 21°C Water 90°Air / 70°F Water	Potable Water Usage/100 lbs. 45.4 kgs. of Ice
			21°Air / 10°C Water 70°Air/ 50°F Water	32°Air / 21°C Water 90°Air/ 70°F Water		
			1 Ph			
IDP0320A	dice		305 lbs.	226 lbs.	5.63	20 Gal.
			138 kgs	103 kgs		76 L
IYP0320A	half-dice		320 lbs.	238 lbs.	5.63	20 Gal.
			145 kgs	108 kgs		76 L

Order separately: Ice storage bin for all units
R290 is a refrigerant grade propane which is naturally occurring with no ozone depletion potential and extremely low global warming potential

Accessories

LuminIce® II Virus and Bacteria Inhibitor
controls viruses and bacteria in the ice machine.



External Scoop holder
protect the ice scoop with the NSF approved versatile scoop holder.



Arctic Pure® Plus Water Filters
reduce sediments and chlorine contaminants down to .5 microns. Use with a Pre-filter is recommended.



Welbilt reserves the right to make changes to the design or specifications without prior notice.

Welbilt Deutschland GmbH
Auf der Weih 11
D - 35745 Herborn, Germany
Tel.: +49 27 72 58 050
welbilt.com.de

Welbilt Iberia, S.A.U
Textil, 6 - Pol.Ind. La Ferreria - 08110
Montcada i Reixac
Barcelona, Spain
Tel.: +34 902 20 10 69
welbilt.com.es

Welbilt UK
Ashbourne House
The Guildford, Old Portsmouth Rd
Guildford GU3 1LR
United Kingdom
Tel.: +44 1483 464900
www.welbilt.uk

