

# BISON

## REFRIGERATION

Units Manufactured Prior 10-1-18

Include 1 Year Parts + Labor / 5 Year Compressor Warranty

Units Manufactured After 10-1-18

Include 2 Year Parts + Labor / 5 Year Compressor Warranty

### BRF-71 3 Door Stainless Reach-In Freezer

#### Dimensions

Exterior Dimensions (Inches)	82" x 31.75" x 83.25"
Interior Dimensions (Inches)	77" x 27" x 58"
Packaging Dimensions (Inches)	83.7" x 33.1" x 88.5"
Capacity (cu. ft.)	71 cu. ft.
Gross Weight (lbs)	617 lbs

#### Construction

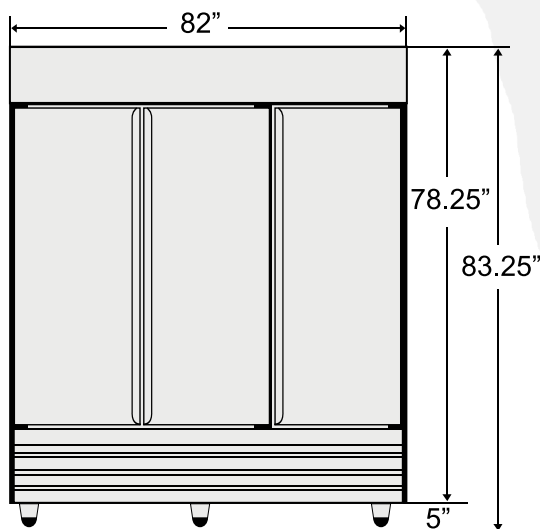
Exterior Material	430 series stainless steel
Interior Material	430 series stainless steel
Insulation Material	Polyurethane
Insulation Thickness (mm)	60
# of Doors	3
# of Shelves	9
Shelf Material	Plastic coated steel
Shelf Load Capacity (lbs/pc)	155 lbs

#### Cooling

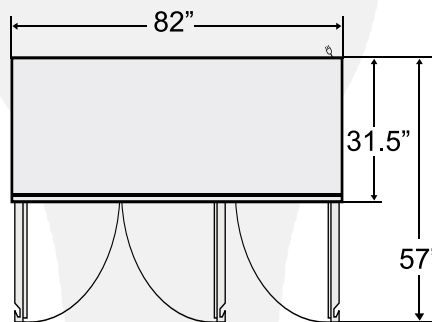
Temperature Range	-8° ~ -1° F
Refrigerant	R-404A
Refrigerant Amount (oz)	25.4
Maximum Ambient Temperature Rating	100.4° F
Defrost Method	Electric Defrost
Defrost Power (W)	1100
Cooling Method	Ventilated
Temperature Controller	Digital
Compressor H/P	1-1/4

#### Electrical

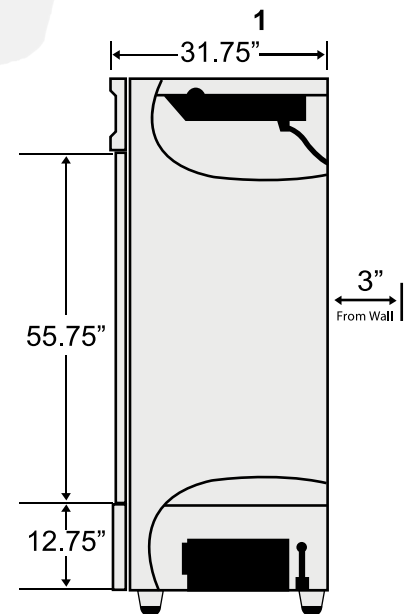
Voltage (v/Hz)	220/60
Power (W)	1200
Power Consumption (kw/24hr)	14.4
Phase	1



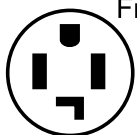
Front View



Top View



Side View



NEMA 14-20P



COMPLIES WITH ANSI/NSF 7 FOR FOOD SERVICE