

"EPT6R10" STAINLESS STEEL PREP TABLE W/SINK

16GA Top w/Stainless Steel Base & Undershelf - 10" Riser

FEATURES:

- 16GA Stainless Steel Top w/10" Riser & Turndown
- Type 300 Stainless Steel With #4 Polish, Satin Finish
- 1-1/2" Stallion Edge On Front With Side Edges 90 Degree Bend Down For Table Line-Up
- (1) 16"x20"x12" Bowl & (1) 16"x20"x4" Bowl
- (1) Poly Sink Cover/Cutting Board
- Stainless Steel Utensil Drawer
- Stainless Steel Base With Adjustable Undershelf
- Adjustable Bullet Feet
- Shipped Knocked-Down, Easy-To-Assemble
- Includes (1) Deck Mounted Faucet 4" O/C w/10" Swing Spout (PBF-4DM-10LF)

SPECIFICATIONS:

- Top: Stainless Steel Tops Are TIG Welded, Exposed Welds Are Polished To Match Adjacent Surface
- Top: 16GA Stainless Steel Type 300 Stainless Steel With #4 Polish, Satin Finish
- Shelf: 18GA Stainless Steel,
- Legs: 1-5/8" Round O.D. 16GA Tubular Stainless Steel
- Gussets: Stainless Steel
- Feet: 1" Adjustable Stainless Steel Bullet Feet



EPT6R10-DL2B-72-L

CERTIFICATIONS:

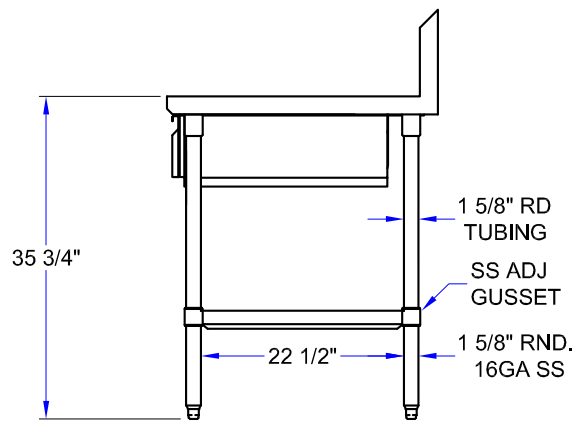
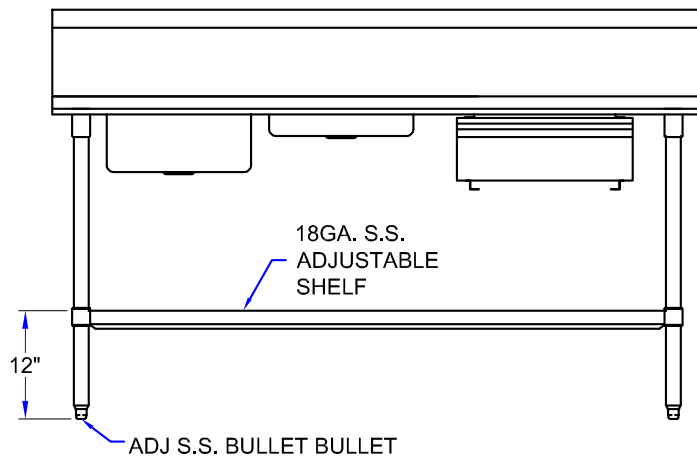
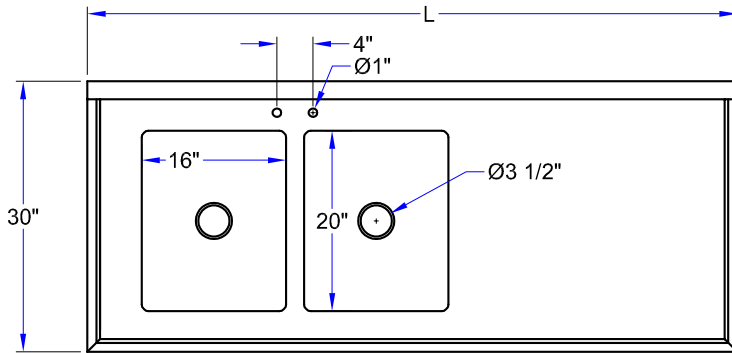


"EPT6R10" STAINLESS STEEL PREP TABLE WITH SINK

MODEL	LENGTH (L X W)	WEIGHT (LBS)
EPT6R10-DL2B-72L	72"x30"	328
EPT6R10-DL2B-72R	72"x30"	328
EPT6R10-DL2B-96L	96"x30"	360
EPT6R10-DL2B-96R	96"x30"	360

ALL DIMENSIONS ARE TYPICAL. TOLERANCE +/- .500". JOHN BOOS & CO. RESERVES THE RIGHT TO CHANGE SPECIFICATIONS WITHOUT NOTICE.

DETAILED SPECIFICATIONS



MODEL # STRUCTURE

DL = Deluxe
 10 = Ht. Of Riser w/Turndown
 R = Riser Top Work Table
 6 = 16GA Work Surface
 EPT=Economy Prep Table

2B = Number Of Bowls
 72 = Table Length
 L = Bowl Location

EPT6R10-DL2B-72L

"EPT6R10" STAINLESS STEEL PREP TABLE WITH SINK

MODEL	LENGTH (L X W)	WEIGHT (LBS)
EPT6R10-DL2B-72L	72"x30"	328
EPT6R10-DL2B-72R	72"x30"	328
EPT6R10-DL2B-96L	96"x30"	360
EPT6R10-DL2B-96R	96"x30"	360

ALL DIMENSIONS ARE TYPICAL. TOLERANCE +/- .500". JOHN BOOS & CO. RESERVES THE RIGHT TO CHANGE SPECIFICATIONS WITHOUT NOTICE.