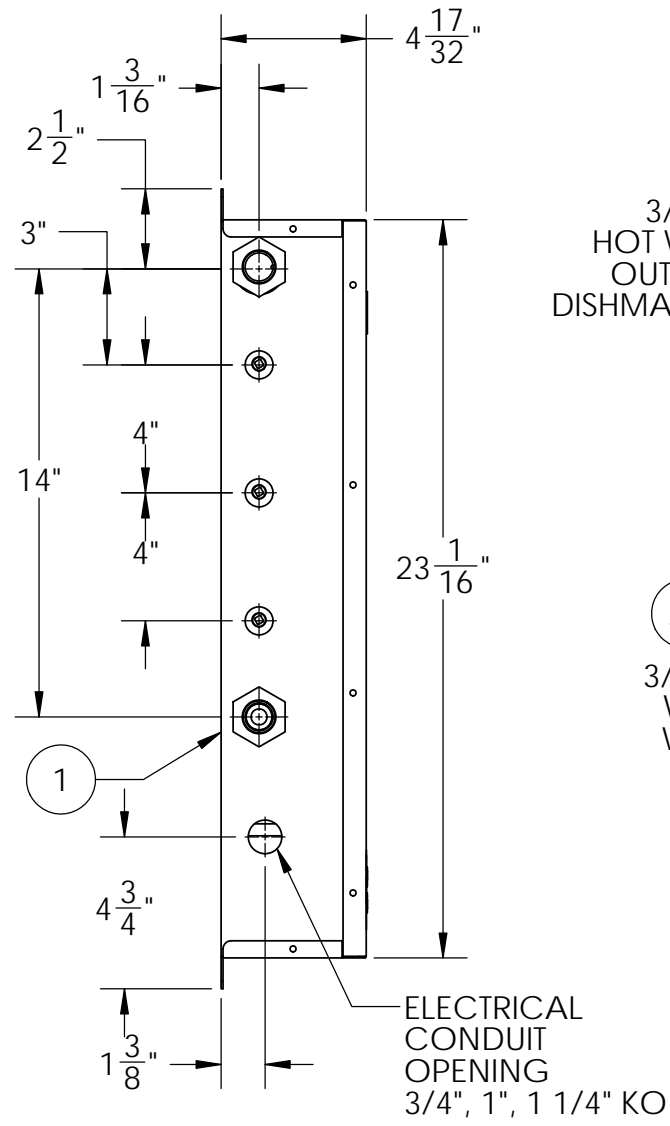


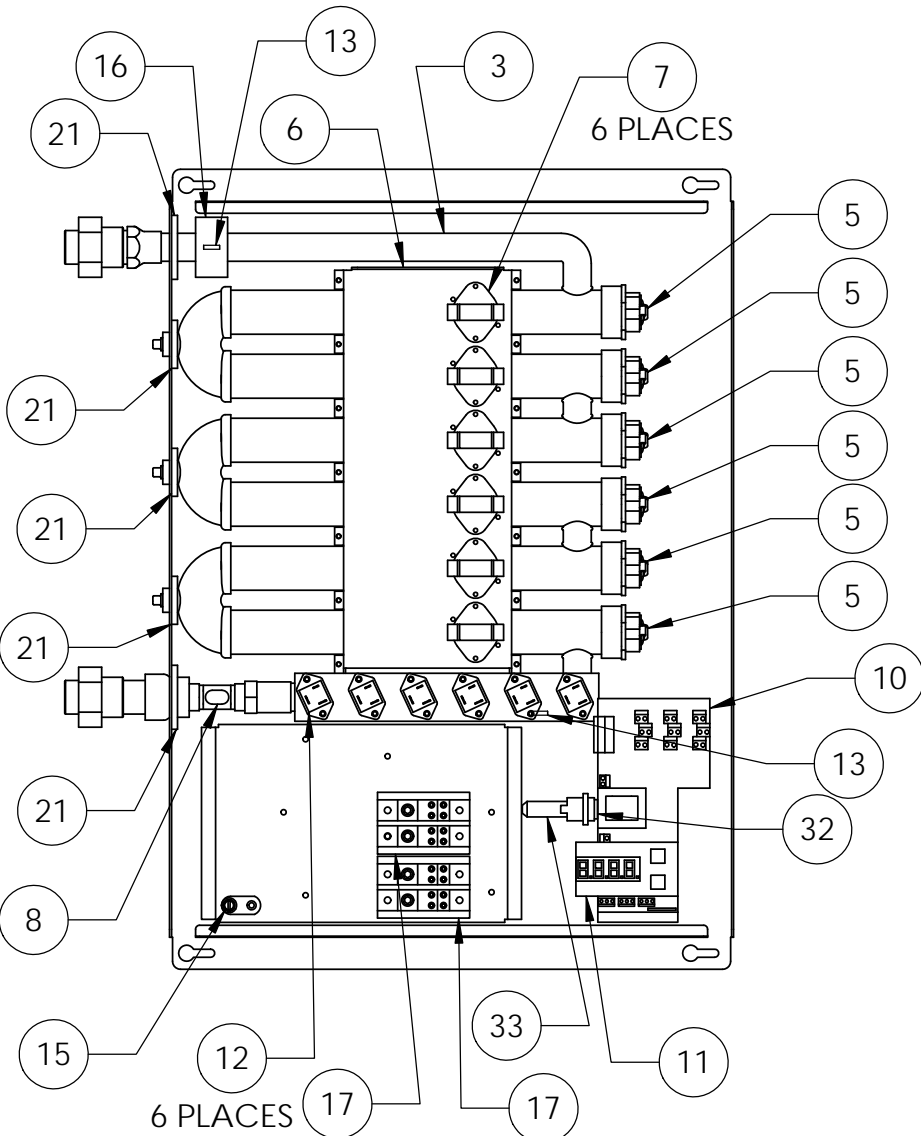
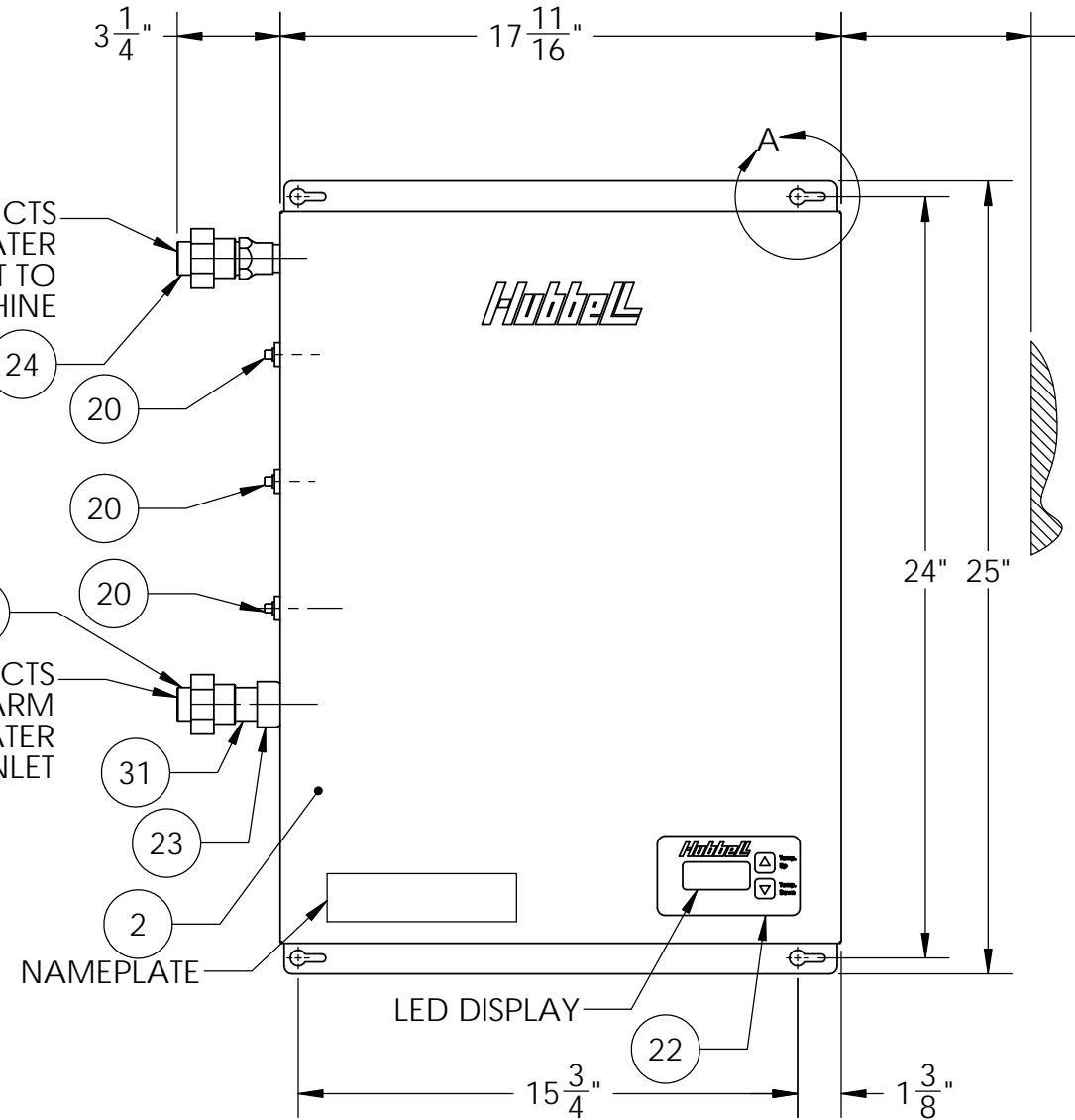
DETAIL A
SCALE 1 : 2



3/4" CTS
HOT WATER
OUTLET TO
DISHMACHINE

3/4" CTS
WARM
WATER
INLET

ELECTRICAL
CONDUIT
OPENING
3/4", 1", 1 1/4" KO



| ZONE | REV. | DESCRIPTION | DATE | APPROVED |
|-----------|------|-------------|------|----------|
| REVISIONS | | | | |

| DATE | NAME | Hubbell | Stratford, CT 06615 (203) 378-2659 |
|--------------------|---------|------------------------------------|---------------------------------------|
| DRAWN 01/19/11 | PRD | The Electric Heater Company | |
| CHECKED 01/19/11 | SW | | |
| ENG APPR. 01/19/11 | PRD | | |
| MFG APPR. 01/19/11 | WEN III | | |

| | | | |
|------------|-------------|---|--|
| Customer: | | Description: | |
| | | TANKLESS ELECTRIC BOOSTER HEATER, 40 kW @ 208 V, 1Ph | |
| SIZE | DWG. NO. | REV | |
| B | JTX040-6RS | | |
| SCALE: 1:1 | FSCM: 19857 | SHEET 1 OF 2 | |

PROPRIETARY AND CONFIDENTIAL
THE INFORMATION CONTAINED IN THIS DRAWING IS THE SOLE PROPERTY OF THE ELECTRIC HEATER COMPANY. ANY REPRODUCTION IN PART OR AS A WHOLE WITHOUT THE WRITTEN PERMISSION OF THE ELECTRIC HEATER COMPANY IS PROHIBITED.

DIMENSIONS ARE IN INCHES
TOLERANCES:
(UNLESS OTHERWISE SPECIFIED)
FRACTIONAL ± 1/4
ANGULAR: MACH ± 1/2° BEND ± 1°
TWO PLACE DECIMAL ± 0.01
THREE PLACE DECIMAL ± 0.005

| ITEM NO. | QTY. | PART NO. / DWG. NO. | MATERIAL | DESCRIPTION |
|----------|----------|-----------------------|-----------------|--|
| 1 | 1 | D-1111 | STAINLESS STEEL | BACK CASING ASSEMBLY |
| 2 | 1 | D-1110 | STAINLESS STEEL | FRONT COVER |
| 3 | 1 | JTK6-FM | COPPER / BRASS | HEATER TUBE ASSEMBLY |
| 4 | -- | -- | -- | -- |
| 5 | 6 | N1375-9000 | INCOLOY / BRASS | HEATING ELEMENT, 9000/6666W @ 240/208V |
| 6 | 1 | D-1114 | ALUMINUM | TOP HEATER TUBE SUPPORT |
| 7 | 6 | 20603L13-44 | VARIOUS | HI-LIMIT SWITCH, AUTO RESET (SET TO 200°F) |
| 8 | 1 | TK FLOW BR | BRASS | FLOW METER, 0.2-8 GPM |
| 9 | -- | -- | -- | -- |
| 10 | 1 | TK2250 | VARIOUS | ELECTRONIC TEMPERATURE CONTROLLER |
| 11 | 1 | TKD2000 | VARIOUS | LED DISPLAY |
| 12 | 6 | TG40E60 | VARIOUS | TRIAC |
| 13 | 2 | USP9509 | VARIOUS | THERMISTOR |
| 14 | AS REQ'D | | COPPER | WIRE: POWER: #8 AWG, CONTROL: #18 AWG, THHN (90°C) |
| 15 | 1 | KA-4C | COPPER | GROUND LUG |
| 16 | 1 | | POLYURETHANE | THERMISTOR INSULATION |
| 17 | 2 | 67572 | VARIOUS | POWER DISTRIBUTION BLOCK |
| 18 | -- | -- | -- | -- |
| 19 | -- | -- | -- | -- |
| 20 | 3 | PLUGBR 1/8 | BRASS | DRAIN PLUG, 1/8" NPT |
| 21 | 5 | | RUBBER | INLET / OUTLET / DRAIN CASING GASKETS |
| 22 | 1 | TANKLESS OVERLAY | LEXAN | DISPLAY OVERLAY |
| 23 | 1 | COUPBELL 1/2" TO 3/4" | BRASS | INLET BELL COUPLING, 1/2" x 3/4" |
| 24 | 1 | DIELECTRIC UNION | VARIOUS | DIELECTRIC UNION, 3/4" FNPT x 3/4" CTS |
| 25 | -- | -- | -- | -- |
| 26 | 1 | | STAINLESS STEEL | INLET SCREEN (NOT SHOWN) |
| 27 | | | | |
| 28 | | | | |
| 29 | 1 | | VARIOUS | LEAK DETECTION WIRE |
| 30 | AS REQ'D | | RUBBER | GASKET MATERIAL (NOT SHOWN) |
| 31 | 1 | NIPPBR 3/4 X 1.5 | BRASS | NIPPLE 3/4" x 1 1/2" LONG |
| 32 | 1 | LGR-3 | VARIOUS | CONTROL CIRCUIT FUSE, 3A |
| 33 | 1 | LHR000 | VARIOUS | FUSE HOLDER |

- GENERAL NOTES:
- HEATING CHAMBER IS RATED FOR 150 PSI WATER PRESSURE (MAX.)
 - UNIT IS UL, cUL, AND UL EPH LISTED.
 - JTX FLOW RATE: 0.2 GPM MIN., 8 GPM MAX.
 - APPROXIMATE WEIGHT IS 18 POUNDS.
 - HEATERS ARE FULLY MODULATING FROM 0 TO 100%.
 - UNIT IS DESIGNED FOR 50/60 Hz.

| INSTALLATION PARAMETERS | |
|-------------------------|---------|
| VOLTS | 208 V |
| POWER | 40 kW |
| AMP | 192.3 A |
| BREAKER SIZE(MIN) | 225 A |
| FEED WIRE SIZE(MIN) | 4/0 AWG |
| CONDUIT SIZE(MIN) | 2" |
| WIRING DIAGRAM | 6 |

- INSTALLATION NOTES:
- TANKLESS WATER HEATERS ARE CONSIDERED A NON-CONTINUOUS LOAD.
 - IF MULTIPLE FEED INSTALLATION IS USED, IT IS ACCEPTABLE TO INSTALL UP TO TWO CONDUCTORS IN ONE LINE SIDE PORT. ADDITIONALLY, WHEN A POWER DISTRIBUTION BLOCK IS SUPPLIED, ADDITIONAL CONDUCTORS MAY BE INSTALLED IN AN OPEN LOAD SIDE PORT OF THE POWER DISTRIBUTION BLOCK.
 - WIRING SIZING LISTED IS FOR 75°C THHN. 60°C OR 90°C WIRE MAY BE USED. REFER TO NEC TABLE 310.16 FOR SIZING.
 - CONDUCTORS SHOULD BE SIZED TO MAINTAIN A VOLTAGE DROP OF LESS THAN 3% UNDER LOAD.
 - THESE MODELS INDICATED REQUIRE THAT A SUPPLEMENTARY PROTECTION ASSEMBLY BE INSTALLED (SUPPLIED BY HUBBELL). IF SUPPLEMENTAL PROTECTION IS SUPPLIED BY OTHERS, WHERE MULTIPLE FEEDER CONNECTIONS ARE USED, PHASES MUST BE FROM THE SAME SOURCE.

| ZONE | REV. | DESCRIPTION | DATE | APPROVED |
|-----------|------|-------------|------|----------|
| REVISIONS | | | | |

| | DATE | NAME |  The Electric Heater Company Stratford, CT 06615 (203) 378-2659 |
|-----------|----------|---------|--|
| DRAWN | 11/17/10 | PRD | |
| CHECKED | 11/22/10 | SW | |
| ENG APPR. | 11/22/10 | PRD | |
| MFG APPR. | 11/22/10 | WEN III | Customer: |

| | | |
|---|------------------------|--------------|
| Description: TANKLESS ELECTRIC BOOSTER HEATER, 40 kW @ 208 V, 1Ph | | |
| SIZE B | DWG. NO. JTX040-6RS | REV |
| SCALE: 1:1 | FSCM: 19857 | SHEET 2 OF 2 |

PROPRIETARY AND CONFIDENTIAL
 THE INFORMATION CONTAINED IN THIS DRAWING IS THE SOLE PROPERTY OF THE ELECTRIC HEATER COMPANY. ANY REPRODUCTION IN PART OR AS A WHOLE WITHOUT THE WRITTEN PERMISSION OF THE ELECTRIC HEATER COMPANY IS PROHIBITED.

DIMENSIONS ARE IN INCHES
 TOLERANCES:
 (UNLESS OTHERWISE SPECIFIED)
 FRACTIONAL ±¼
 ANGULAR: MACH ±½° BEND ±1°
 TWO PLACE DECIMAL ±0.01
 THREE PLACE DECIMAL ±0.005

D

D

C

C

B

B

A

A