



### Special Features:

- ✓ Commercial Standard Duty 2 Compartment Sink
- ✓ 18-Gauge Type 304 Stainless Steel Construction
- ✓ Two Large 10-18" x 14-24" Sink Bowls
- ✓ 9-3/4" Backsplash
- ✓ 16 Gauge 1-5/8" Diameter Galvanized Legs
- ✓ All Seams Welded & Polished
- ✓ No Burrs or Sharp Edges
- ✓ Plastic Adjustable Feet
- ✓ NSF Listed

## About Empura Standard Duty 2 Compartment Sinks:

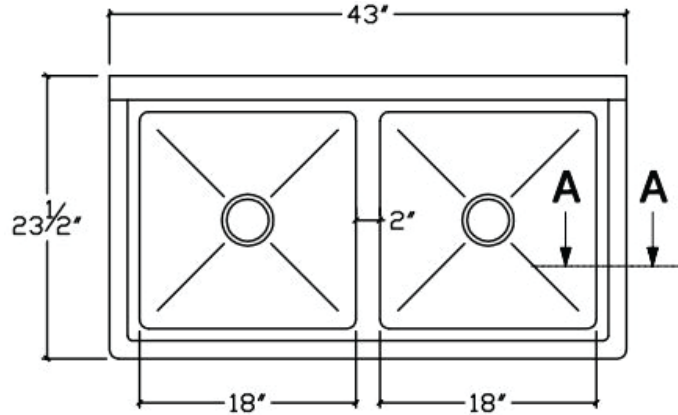
Empura 2 Compartment sinks make great economical sense when looking to update, or expand your existing dish washing station. Made with sturdy 18 gauge stainless steel and available with & without drainboards, they fit almost any kitchen layout. These sinks stand on galvanized steel legs with adjustable plastic feet at a total height of 44.25". Empura compartment sinks are dependable workhorses that your kitchen staff can rely on to provide unwavering stability for washing almost any cookware, kitchen tool, or even pieces of kitchen equipment.

### TECHNICAL SPECS

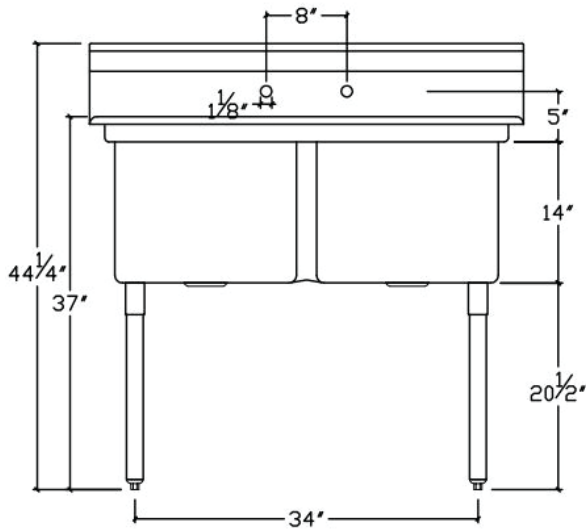
Model #	ESD21818	ESD21818LR18	ESD22424	ESD22424LR24
Sink Bowl Number	2	2	2	2
Drain Board	0	1-LEFT/1-RIGHT	0	1-LEFT/1-RIGHT
Drain Board Length	N/A	18"	N/A	24"
Overall Depth	23.5"	23.5"	29.5"	29.5"
Overall Width	43"	74"	55"	98"
Overall Height	44.25"	44.25"	44.25"	44.25"
Stainless Gauge / Type	18G / 304	18G / 304	18G / 304	18G / 304
Leg Height	20.5"	20.5"	20.5"	20.5"
Leg Material	Galvanized Steel	Galvanized Steel	Galvanized Steel	Galvanized Steel
Leg Material Gauge	16	16	16	16
Backsplash Height	9-3/4"	9-3/4"	9-3/4"	9-3/4"
Bowl Length	18"	18"	24"	24"
Bowl Width	18"	18"	24"	24"
Bowl Depth	14"	14"	14"	14"
Drain Basket Size	3.5" Included	3.5" Included	3.5" Included	3.5" Included
Foot Style	Plastic, Adjustable	Plastic, Adjustable	Plastic, Adjustable	Plastic, Adjustable
Grade	Standard Duty	Standard Duty	Standard Duty	Standard Duty
Weight	53.97 lb	67.44 lb	74.63 lb	98.58 lb

ESD21818

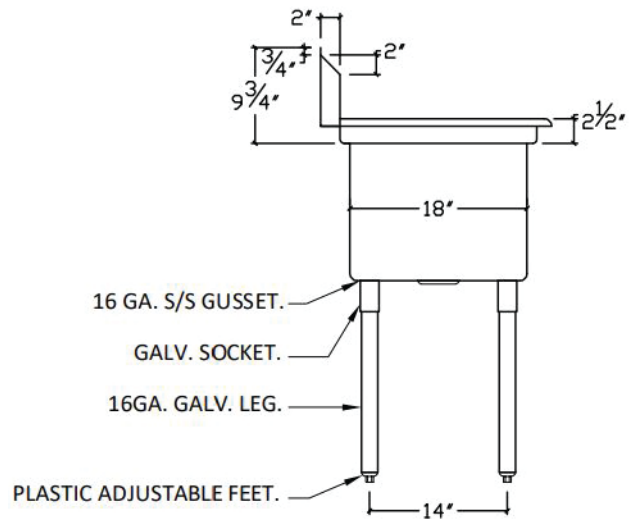
Top View



Front View



Side View

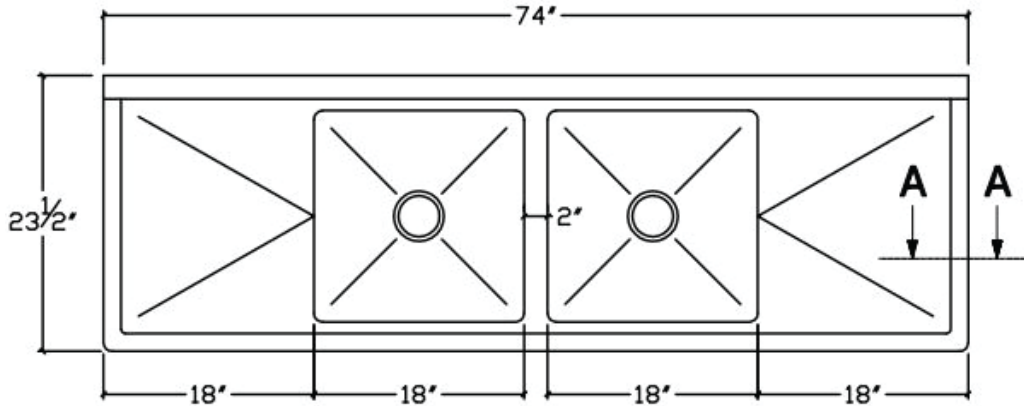


**Intended For Commercial Use Only.** Empura assumes no liability for component failure, factory defects or any other damages for units installed in non-commercial foodservice or residential applications.

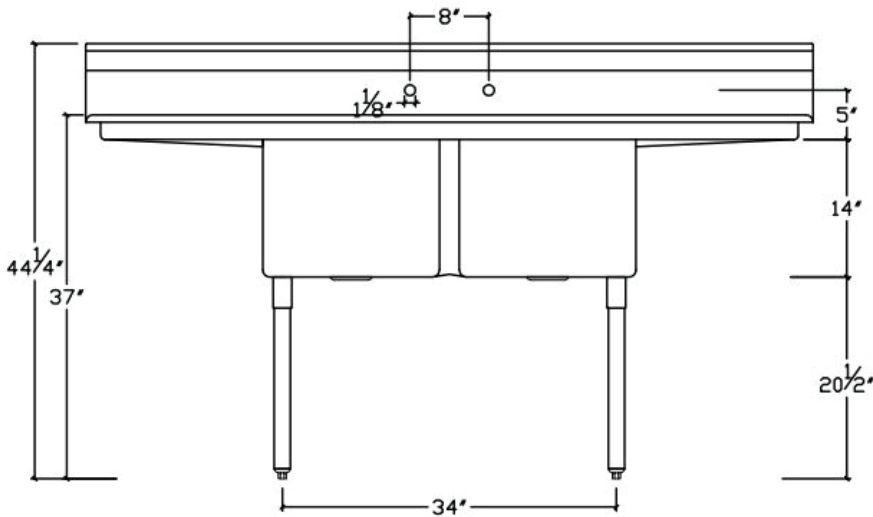
**Attention CA Residents:** This product can expose you to chemicals including lead, which are known to the State of California to cause cancer, birth defects, or other reproductive harm. For more information, go to [www.p65warnings.ca.gov](http://www.p65warnings.ca.gov).

ESD21818LR18

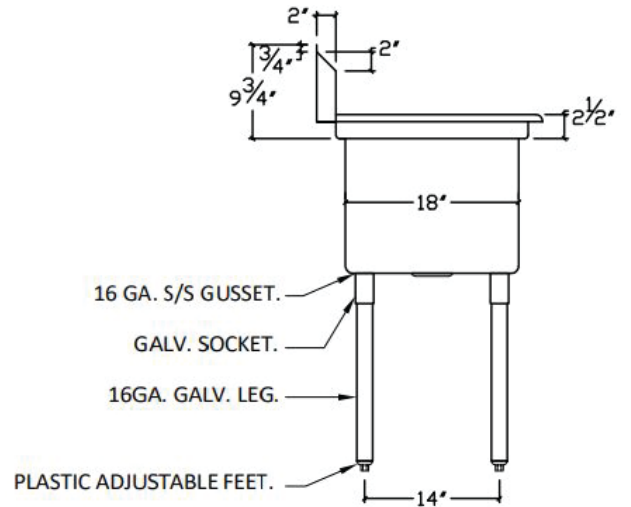
Top View



Front View



Side View

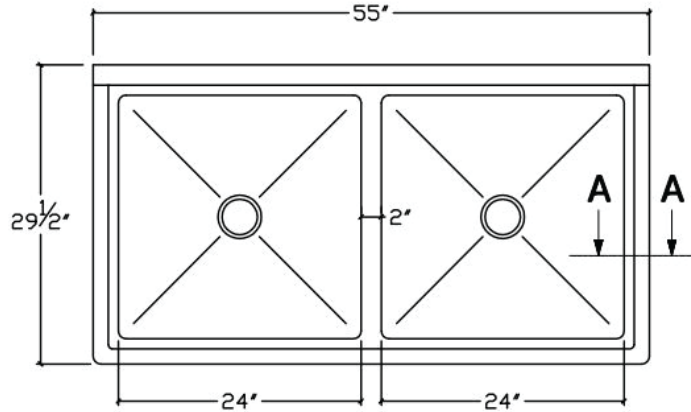


**Intended For Commercial Use Only.** Empura assumes no liability for component failure, factory defects or any other damages for units installed in non-commercial foodservice or residential applications.

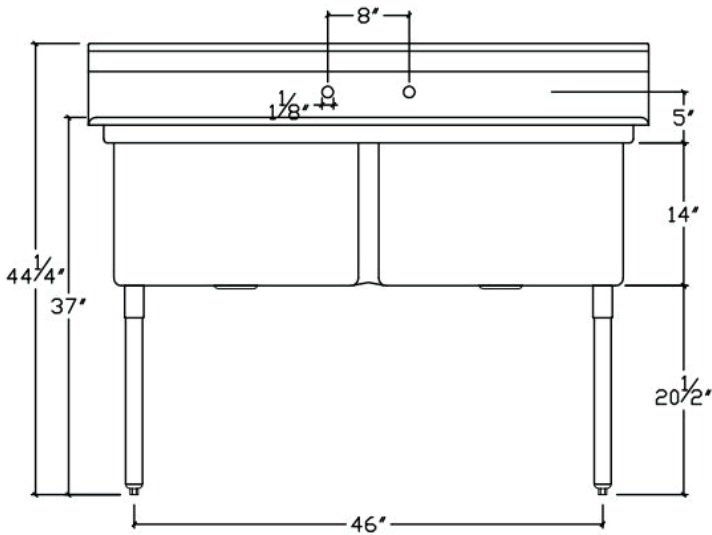
**Attention CA Residents:** This product can expose you to chemicals including lead, which are known to the State of California to cause cancer, birth defects, or other reproductive harm. For more information, go to [www.p65warnings.ca.gov](http://www.p65warnings.ca.gov).

ESD22424

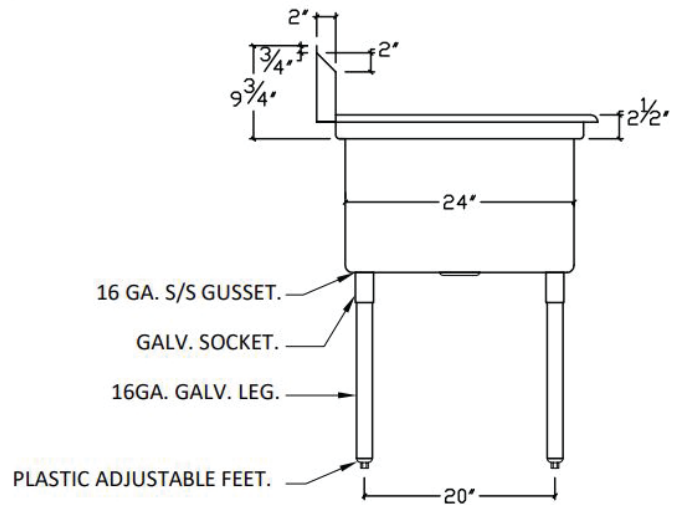
Top View



Front View



Side View

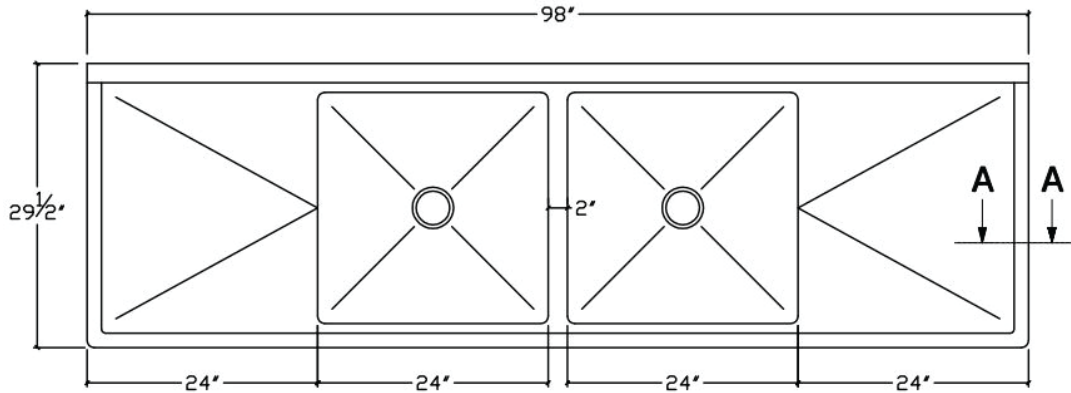


**Intended For Commercial Use Only.** Empura assumes no liability for component failure, factory defects or any other damages for units installed in non-commercial foodservice or residential applications.

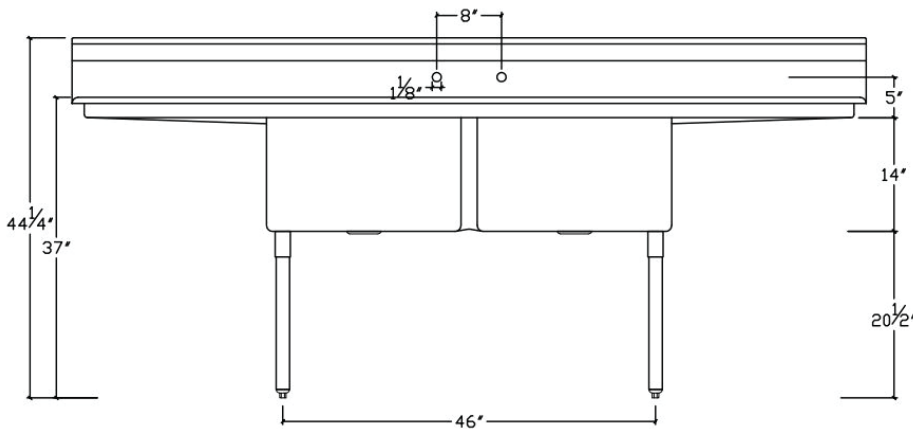
**Attention CA Residents:** This product can expose you to chemicals including lead, which are known to the State of California to cause cancer, birth defects, or other reproductive harm. For more information, go to [www.p65warnings.ca.gov](http://www.p65warnings.ca.gov).

ESD22424LR24

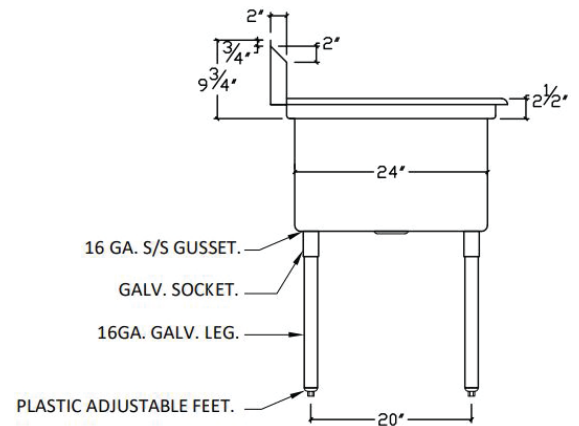
## Top View



## Front View



## Side View



**Intended For Commercial Use Only.** Empura assumes no liability for component failure, factory defects or any other damages for units installed in non-commercial foodservice or residential applications.

**Attention CA Residents:** This product can expose you to chemicals including lead, which are known to the State of California to cause cancer, birth defects, or other reproductive harm. For more information, go to [www.p65warnings.ca.gov](http://www.p65warnings.ca.gov).