



GAS STEAM FULL JACKET TILTING KETTLE

GLT-40F

OPERATION SHALL BE BY:

High efficiency power burner system for operation on 120 VAC, 1 Phase, 50/60 Hz.

- Natural gas
- L.P. gas



Shown with optional spring assist cover

OPTIONS & ACCESSORIES AT ADDITIONAL COST

- | | | |
|---|---|--|
| <input type="checkbox"/> 220-240 VAC operation (specify voltage) (GKVS-1) | <input type="checkbox"/> Etched litre markings (LM-) | <input type="checkbox"/> Perforated strainer for draw-off valve (TPS-) |
| <input type="checkbox"/> Spring assist stainless steel cover (CH-) | <input type="checkbox"/> Single pantry faucet with swing spout (SF-18) | <input type="checkbox"/> Strainer hook (SH-) |
| <input type="checkbox"/> 2" (50 mm) tangent draw-off valve (TVT-2) with perforated strainer (TPS) | <input type="checkbox"/> Double pantry faucet with swing spout (DF-18) | <input type="checkbox"/> Pour strainer (TKS-G) |
| <input type="checkbox"/> 3" (76 mm) tangent draw-off valve (TVT-3) with perforated strainer (TPS) | <input type="checkbox"/> Correctional package | <input type="checkbox"/> Pan carrier (PC-4) |
| <input type="checkbox"/> Etched gallon markings (GM-) | <input type="checkbox"/> Triple basket assembly (TBA-G) | <input type="checkbox"/> Draw-off valve hose kit (DVHK-) |
| | <input type="checkbox"/> Graduated measuring strip (CMS-) | |
| | <input type="checkbox"/> Solid stainless steel disc for draw off (TSS-) | |

STANDARD CONSTRUCTION SPECIFICATIONS

Shall be a Crown Model GLT-40F, self-contained, gas fired, fully jacketed steam kettle, ASME Code stamped, National Board Registered, AGA, CGA and NSF certified for operation up to 50 PSI.

A double wall interior shall form a steam jacket around the full kettle.

The jacket enclosure shall contain factory sealed, distilled water.

The kettle interior shall be stainless steel, type 316 for high acid content cooking.

Kettle exterior is fully insulated.

The bottom of the kettle shall be of hemispherical design for superior heat circulation.

The recessed control panel is located on the front right of the unit, in full view of the operator and easy to use.

Standard controls include direct immersion thermostat for operation at a temperature range of 165°F to 275°F (74°C to 135°C) at 50 psi, water sight glass, cooking light, pressure gauge and electronic ignition with ignition indicator light.

Comes standard with 3 piece split faucet bracket. Safety features include low water shut off with indicator light, pressure switch, pressure relief valve and a 100% safety gas shut off valve.

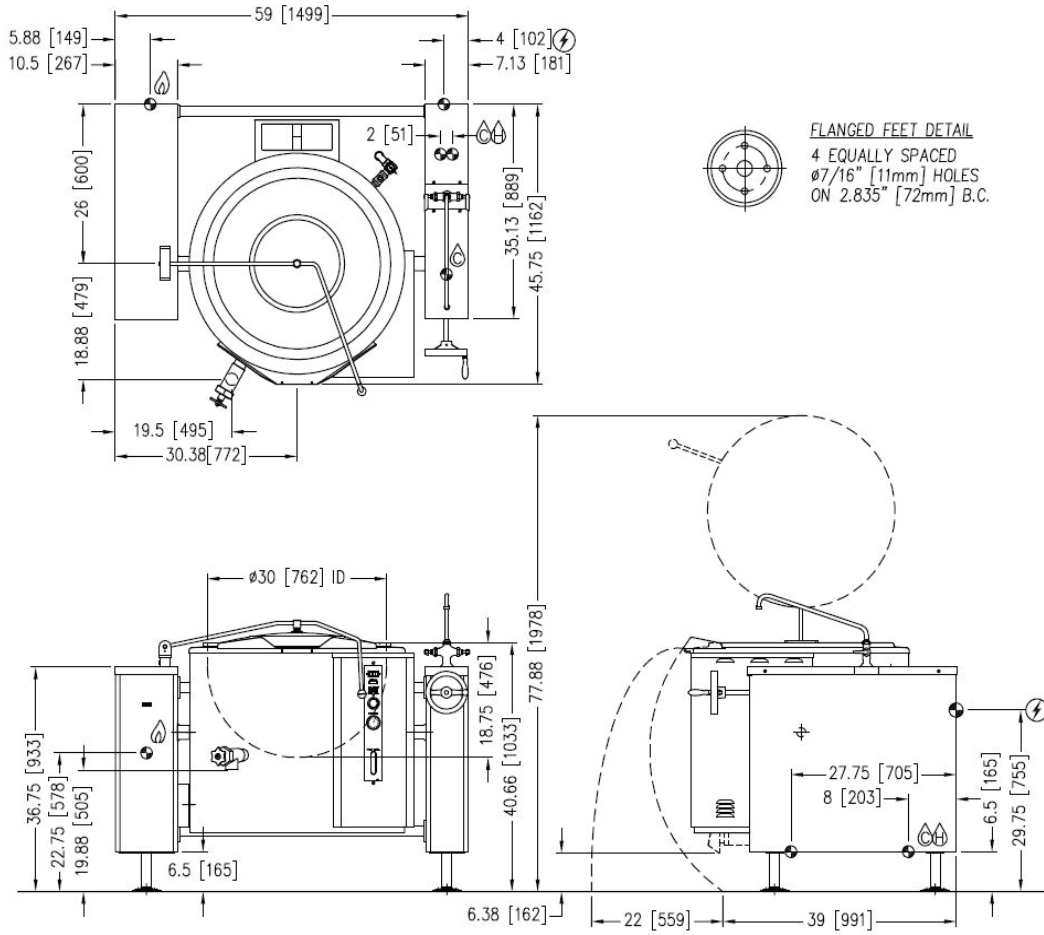
The kettle shall pivot on trunnions connected to the tilt mechanism and control consoles.

The tilt mechanism shall allow the kettle to tilt past 90° for complete emptying.

The console shall be drip proof, stainless steel clad and shall be supported on all welded, 1-5/8" (41 mm) diameter stainless steel legs with flanged feet for securing to the floor.



Approval Notes: _____



SERVICE CONNECTIONS

- GAS CONNECTION: Supply Gas through 3/4" pipe. A gas shut off valve must be installed in supply piping convenient and adjacent to appliance.
- ELECTRICAL CONNECTION : Unless otherwise specified, field wire electrical connection to be 120 volts, 60 Hz, 1 phase with grounding wire. Unit furnished with 6' cord and 3 prong plug. Total maximum amps 4.0.
- COLD WATER: 3/8" (10 mm) tubing to faucet (optional)
- HOT WATER: 3/8" (10 mm) tubing to faucet (optional)

GAS CHARACTERISTICS

| MODEL | GAS SUPPLY | | |
|---------|------------|--------|---------------------------------|
| | BTU/HR. | kW/HR. | SUPPLY PIPE PRESSURE (W.C.) |
| GLT-40F | 120,000 | 35.2 | Natural 6"-14" (152-356 mm) |
| | | | Propane 11"-14" (279-356 mm) |

* For use on non-combustible floors only.

SPECIFICATIONS

| MODEL | CAPACITY | |
|---------|-----------|-----------|
| GLT-40F | 40 Gallon | 152 Liter |

| MODEL | SHIPPING WEIGHT | MINIMUM CLEARANCE * | |
|---------|--------------------|---------------------|--------------------------|
| GLT-40F | 1100 lbs. [499 kg] | Sides Back | 0" [0 mm] 4" [102 mm] |

**INTENDED FOR COMMERCIAL USE ONLY.
 NOT FOR HOUSEHOLD USE.**

