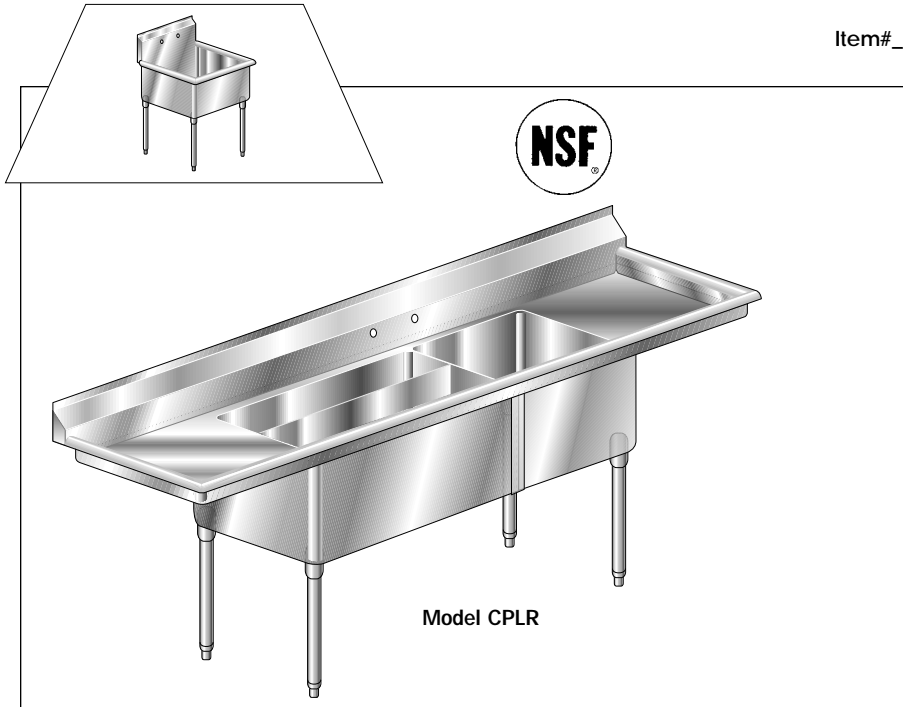




# NSF SUPERMARKET SINKS

CP/MP/FT SERIES

Item# \_\_\_\_\_ Project \_\_\_\_\_



Quantity	16GA304 Model #	14GA304 Model #
<b>MEAT AND PLATTER</b>		
_____	3CP-3	2CP-3
_____	3CP-3 18L or R	2CP-3 18L or R
_____	3CP-3 18LR	2CP-3 18LR
_____	3MP-2	2MP-2
_____	3MP-2 15 L or R	2MP-2 15L or R
_____	3MP-2 15 LR	2MP-2 15LR
_____	3MP-3	2MP-3
_____	3MP-3 15 L or R	2MP-3 15L or R
_____	3MP-3 15 LR	2MP-3 15LR

Quantity	AERO Model #	AERO Model #
<b>FLOOR TROUGHS</b>		
_____	FT-1224	FT-1824
_____	FT-1230	FT-1830
_____	FT-1236	FT-1836
_____	FT-1242	FT-1842
_____	FT-1248	FT-1848
_____	FT-1254	FT-1854
_____	FT-1260	FT-1860
_____	FT-1266	FT-1866
_____	FT-1272	FT-1872

## MATERIAL

### BODY

- 16 gauge 304 or 14 gauge 304 stainless steel.

### LEGS

- 1 1/2" O.D. 16 gauge 304 series stainless steel tubing, complete with adjustable, impact resistant, white metal feet.

## DESIGN FEATURES

- Easily assembled.
- All sinks are fully cartoned.

## EXCLUSIVE AERO SAFETY EDGE

- Sink hemmed on the roll and backsplash to eliminate cuts from rough edges.

## CONSTRUCTION

- **Exclusive 14" bowl depth on all models (consultant's spec)**
- **Custom style fabricated bowl for true gauge integrity.**
- All sinks have a 3/8" radius at all intersecting planes (consultant's spec).
- Stainless steel gusset is machine welded 360 deg. to a stainless steel triangular plate.
- Gusset plate is fully welded underneath the sink for support.
- Polished to a #4 blended finish.
- All sinks with drainboards 30" or longer equipped with 2 S/S 1 1/2" O.D. legs w/ S/S gussets and white metal feet.

## PLUMBING

- Water supply is 1/2" hot and cold.
- Faucet holes are 8" o.c. (Faucets are not included. See Accessories).

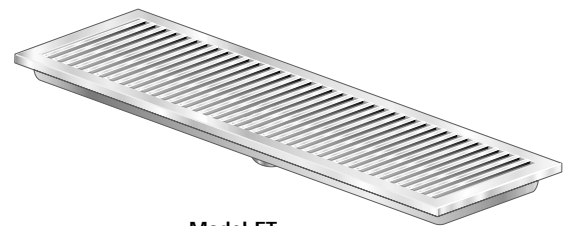
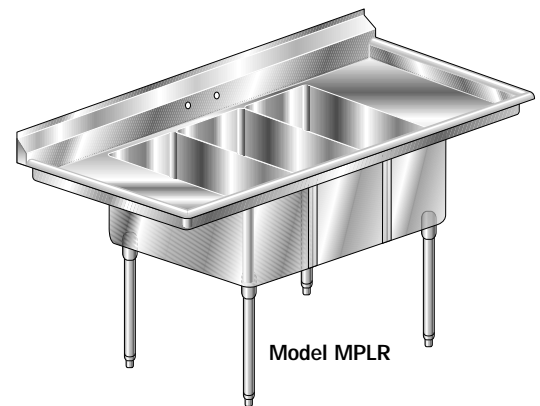
## AEROSPEC

*Includes all of the above and the following:*

- Full 10" backsplash instead of standard 7".
- Stainless steel feet in lieu of white metal.
- Legs have stainless steel crossbracing with aluminum castings at all intersections.

## FLOOR TROUGHS

- 14 GA 304 S/S Body Pitched to Drain
- Stainless Steel Grating of 3/16" x 1" Bar.
- Stainless Steel Waste w/Basket



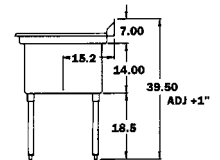
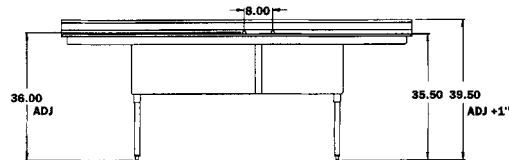
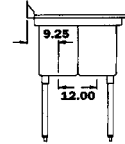
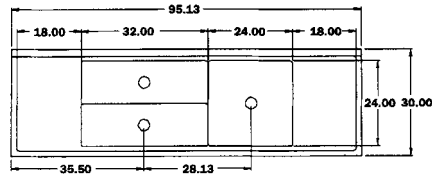
email - sales@aeromfg.com

AERO MANUFACTURING COMPANY • 310 ALLWOOD ROAD, CLIFTON, NEW JERSEY 07012 • VOICE 973.473.5300 FAX 973.473.3794

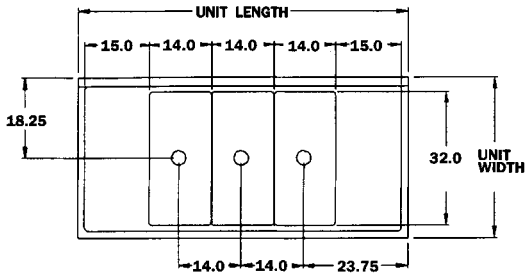


# DIMENSIONAL SPECIFICATIONS

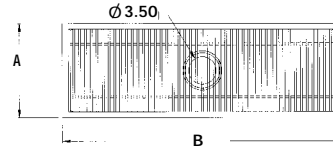
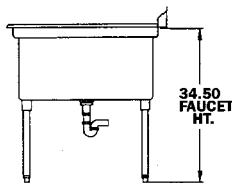
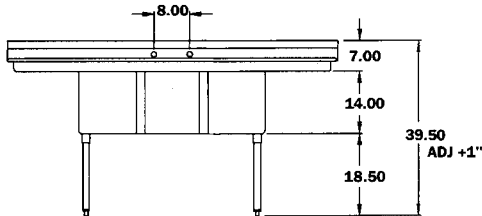
CP/MP/FT SERIES



## Model MPLR



## Model CPLR



## Model FT



BOWL Width	BOWL Length	UNIT Width	UNIT Length	A	B	C	16GA304 Model #	14GA304 Model #	Ship Weight	Cubic Feet
------------	-------------	------------	-------------	---	---	---	-----------------	-----------------	-------------	------------

## MEAT AND PLATTER

N/A	N/A	30	61.5	18.75	9.25	28	3CP-3	2CP-3	150	22
N/A	N/A	30	78.25	35.5	9.25	28	3CP-3 18L or R	2CP-3 18L or R	180	29
N/A	N/A	30	95	35.5	9.25	28	3CP-3 18LR	2CP-3 18LR	220	35
32	14	38	29.5	8.75	19.25	12	3MP-2	2MP-2	90	14
32	14	38	43.25	22.5	19.25	12	3MP-2 15 L or R	2MP-2 15L or R	120	20
32	14	38	57	22.5	19.25	12	3MP-2 15 LR	2MP-2 15LR	150	26
32	14	33.5	41.5	8.75	19.25	12	3MP-3	2MP-3	120	17
32	14	33.5	55.25	22.5	19.25	12	3MP-3 15 L or R	2MP-3 15L or R	150	22
32	14	33.5	69	22.5	19.25	12	3MP-3 15 LR	2MP-3 15LR	180	28

A Width	B Length	AERO Model	Weight	Cubic Feet	A Width	B Length	AERO Model	Weight	Cubic Feet
---------	----------	------------	--------	------------	---------	----------	------------	--------	------------

## FLOOR TROUGHS

12	24	FT-1224	40	3	18	24	FT-1824	70	3
12	30	FT-1230	50	4	18	30	FT-1830	75	4
12	36	FT-1236	60	4	18	36	FT-1836	90	4
12	42	FT-1242	70	5	18	42	FT-1842	105	5
12	48	FT-1248	80	5	18	48	FT-1848	120	5
12	54	FT-1254	90	6	18	54	FT-1854	135	6
12	60	FT-1260	100	6	18	60	FT-1860	150	6
12	66	FT-1266	110	7	18	66	FT-1866	165	7
12	72	FT-1272	120	8	18	72	FT-1872	180	8

**ASK AERO:**  
We can  
Customize  
any product  
for any  
Application!

Call for  
Details!

All dimensions are typical (tol. ±1/2"). • For Accessories and Options see pages FS-7A, FS-7B.

email - sales@aeromfg.com

AERO MANUFACTURING COMPANY • 310 ALLWOOD ROAD, CLIFTON, NEW JERSEY 07012 • VOICE 973473.5300 FAX 973.473.3794