



# SPEC SHEET

## KoolMore 54 in. Commercial Stainless Steel Solid Half Door Reach-In Freezer, 47 cu. ft.

SKU: RIF-2D-SSHD

### FEATURES

- Ideal for restaurants, hotels, and all types commercial kitchens.
- A raised bottom shelf made for convenient loading, unloading, and maintenance.
- Two door industrial freezer with recessed handle for easy access. With a self-closing feature that ensures food remains fresh.
- Six deep adjustable shelves coated in epoxy for maximum corrosion resistance. This tall refrigerator holds up to 47 cu. ft.
- External digital temperature controls and display to easily monitor and control temperature. 4 casters with 2 locking make it portable.



### CLOSE UP IMAGES



# TECHNICAL SPECS

## Dimensions

Depth	32.2
Width	54
Height	82.5
Interior Depth	27.1
Interior Width	49.4
Interior Height	51.6
Shelf Width	23.6
Shelf Depth	23.2
Depth Including Handles	32.2
Depth Excluding Handles	32.2
Depth Less Door	29.4
Depth With Door Open 90 Degrees	57.1
Power Cord Length	98.5

## Capacity

Gross Cubic Feet	46.7
Net Capacity Cu. Ft.	41.3
Individual Shelf Capacity	88l bs.

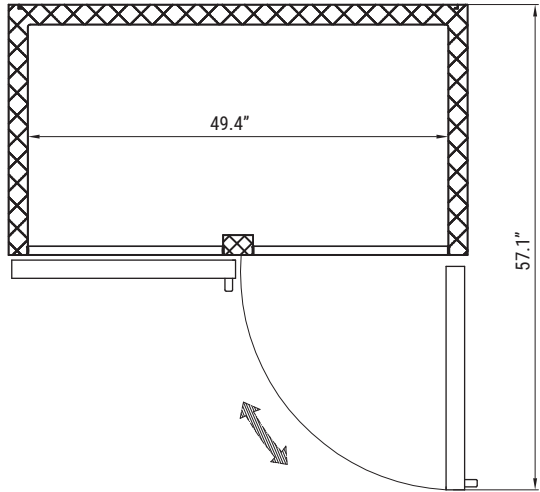
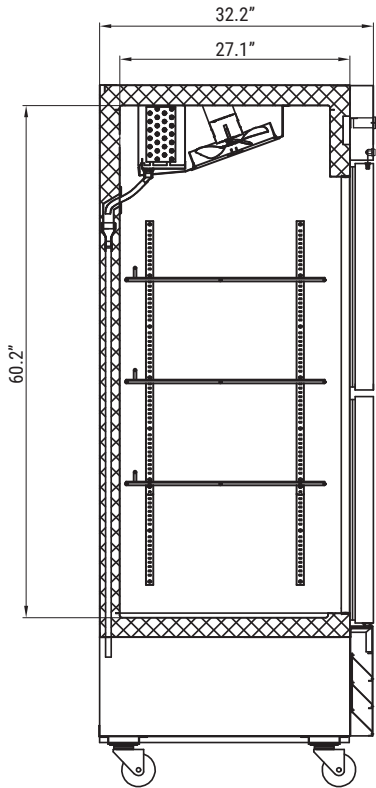
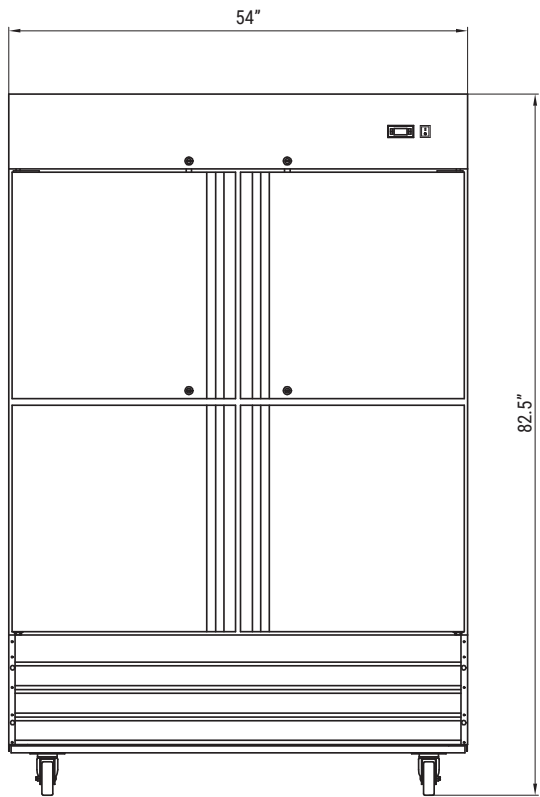
## Features & Material

Door Style	Swing
Number Of Doors	4
Number Of Shelves	6
Defrost Type	Automatic
Refrigerant Type	R-290
Temperature Control Type	External Digital
Ambient Temperature Range	100 F
Temperature Range	- 7 F~0 F
Casters	4
Light Type	Fluorescent Bulb
Shelf Material Type	Epoxy Coated
Interior Material	Stainless Steel 201
Exterior Material	Stainless Steel 304

## Electric Data & Certifications

Amps	6.2
Phase	1
Plug Type	NEMA 5-15P
Voltage	115
Certifications	ETL Listed for Safety and Sanitation

# Plan View



**CERTIFICATIONS**



Intertek Intertek



706 Eastern Parkway STE 1G, Brooklyn NY 11213  
718-576-6342  
info@koolmore.com