

- **NE3635RSSV**                    35-3/4"L x 33"D x 35-3/8"H
- **NE4835RSSV**                    47-3/4"L x 33"D x 35-3/8"H
- **NE6035RSSV**                    59-3/4"L x 33"D x 35-3/8"H
- **NE7235RSSV**                    71-3/4"L x 33"D x 35-3/8"H

### Included

- NOTE: Contact Factory for lead time
- NOTE: Glass warranty only applicable to first point of delivery
- Breeze~E (Type-II) self-contained refrigeration
- (3) Levels of clear glass shelving removable and adjustable on 1" centers
- Condensate pan (self-contained refrig. only)
- LED top & shelf lights
- NOTE: Overall case height is 54-3/4" (includes below counter)
- One piece formed ABS plastic tub
- One year parts & labor; 5 year compressor warranty
- Warmest average product temperature of 40°F or less

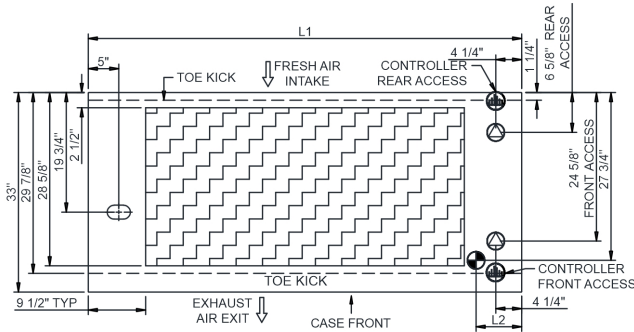


**NE4835RSSV**

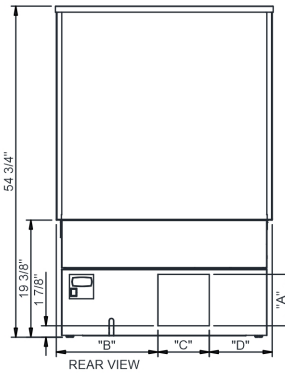
Specify	Standard Features	Additional Options
<b>FRAME EXTERIOR COLOR</b>	• Powder coated Silversan Black	• Powder coated (stock/non-stock colors) • Stainless steel
<b>INTERIOR COLOR</b>	• Powder coated Silversan Black	• NOTE: Interior color must be FDA & NSF approved • Powder coated (stock colors, specify RAL#) • Stainless steel
<b>BASE SUPPORT</b>	• Adjustable, locking casters (self-cont.)	• 6"H legs • Shims (remote)
<b>LEFT END GLASS</b>	• Glass end	• No end glass w/ synchronized defrost
<b>RIGHT END GLASS</b>	• Glass end	• No end glass w/ synchronized defrost
<b>REAR DOORS</b>	• None (solid back panel)	• Clear glass rear sliding doors • Reflective glass rear sliding doors
<b>LIGHTS</b>	• LED 3500K w/ frosted lens	• LED 3000K w/ frosted lens • LED 4000K w/ frosted lens
<b>ELECTRICAL CONNECTION</b>	• 10' Straight blade power cord (self-cont.)	• 10' Locking power cord (self-cont.) • Electrical leads (remote)
<b>REAR VENTED PANEL</b>	• None	• NOTE: Unit can intake & discharge from rear w/ optional rear vented panel • Powder coated (stock/non-stock colors) • Stainless steel
<b>REFRIGERATION</b>	• Breeze~E (Type-II) self-contained refrigeration (rear access)	• Breeze~E (Type-II) self-contained refrigeration (front access) (see important notes) • Remote w/thermostat, solenoid & TXV (front access) • Remote w/thermostat, solenoid & TXV (rear access)
<b>MISCELLANEOUS</b>		• Rear door lock • Second year parts & labor warranty (excludes compressor)
<b>ACCESSORIES</b>		• Clean Sweep® coil cleaner (self-cont.) • Night curtain, retractable, non-locking • Removable clear acrylic security cover, locking

<b>Intended Environment:</b> Type II - Designed to operate in ambient conditions of 80°F and 55% relative humidity unless noted otherwise in system information below.		
<b>Zone</b>	<b>Intended Product To Be Displayed</b>	<b>Warmest Avg Prod Temp ° F</b>
1	Packaged refrigerated products	40

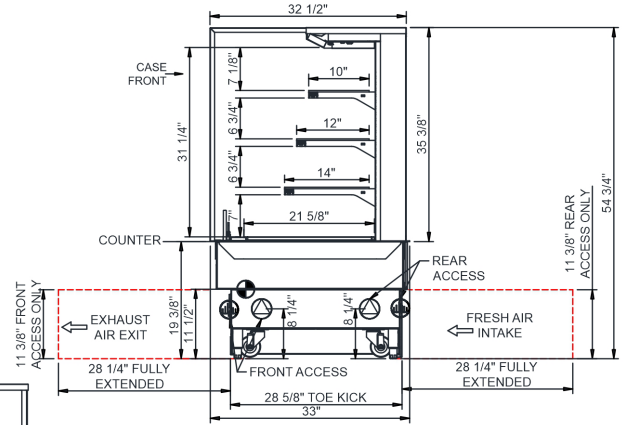
### PLAN VIEW



	"A"	"B"	"C"	"D"
NE3635RSSV	8 1/2"	16 7/8"	8 1/2"	10 1/2"
NE4835RSSV	8 1/2"	13 3/4"	8 1/2" x2	10 1/2"
NE6035RSSV	8 1/2"	19 1/2"	8 1/2" x2	10 1/2"
NE7235RSSV	8 1/2"	22 3/4"	8 1/2" x2	10 1/2"



### SIDE VIEW



**NOTES:**

1. 11 3/8" TALL, FULL WIDTH OF CASE OPENING IN CABINET OR COUNTER IS REQUIRED TO PULL OUT REFRIGERATION SYSTEM.
2. BACK OF COUNTER / CABINET MUST BE VENTED PROPERLY FOR ADEQUATE AIRFLOW TO CONDENSER.
3. \*\*REPRESENTS REAR PULLOUT REFRIGERATION. AIR FLOW INTAKE AND EXIT DETAILS ARE REVERSED WITH FRONT PULLOUT REFRIGERATION OPTION.
4. SELF-CONTAINED ACCESS ONLY BY PULLING OUT CONDENSER UNIT.
5. SEE "COUNTER INSTALLATION GUIDE" FOR AIR FLOW REQUIREMENTS.

**NOTE: ALL DIMENSIONS APPROXIMATE**

- ELECTRICAL JUNCTION BOX (SUPPLIED WITH 6" LEADS OR POWER CORD).
- LOCATION OF DRAIN TUBE FOR REMOTE REF. ONLY (SUPPLIED WITH 3/4" OR 1 1/2" PVC TUBE).

- REFRIGERATION LINE CONNECTION.
- REMOTE FLOOR SINK & UTILITIES ACCESS AREA.

- SELF-CONTAINED CASE SERVICE ACCESS AREA.
- DRY CASE SERVICE ACCESS AREA.

Model Technical Specifications																
Model	L"	L1"	L2"	System Circuit Volts		Phs	Freq	Amps ***	Watts	Wires	NEMA Plug	SST	Conv. Rack BTUH	Para. Rack BTUH	Est Wt	
NE3635RSSV	N/A	35.75	7.50	Remote (DX)	Circuit #1	110-120	1	60	1.20	54	2+G	Leads Single	20.00	3650	3380	750
				Self-Contained (R290)	Circuit #1	110-120	1	60	15.15	1,515	2+G	5-20P or L5-20P	N/A	N/A	N/A	
NE4835RSSV	N/A	47.75	7.50	Remote (DX)	Circuit #1	110-120	1	60	1.56	82	2+G	Leads Single	20.00	4838	4480	950
				Self-Contained (R290)	Circuit #1	208-240	1	60	16.00	2,802	2+G	6-20P or L6-20P	N/A	N/A	N/A	
NE6035RSSV	N/A	59.75	7.50	Remote (DX)	Circuit #1	110-120	1	60	1.60	92	2+G	Leads Single	20.00	6026	5580	1,000
				Self-Contained (R290)	Circuit #1	208-240	1	60	16.00	2,821	2+G	6-20P or L6-20P	N/A	N/A	N/A	
NE7235RSSV	N/A	71.75	7.50	Remote (DX)	Circuit #1	110-120	1	60	1.64	105	2+G	Leads Single	20.00	7193	6660	1,100
				Self-Contained (R290)	Circuit #1	208-240	1	60	16.00	2,838	2+G	6-20P or L6-20P	N/A	N/A	N/A	

\*\*\* Does not include electric defrost on freezer models.

#### Regulatory Approvals:

All Models  
 Accordance with AHRI Std 1200  
 ETL Listed to UL 471  
 ETL Listed to CAN/CSA 22.2 No. 120  
 ETL Sanitation to NSF/ANSI 7



In Accordance with  
**AHRI Std 1200**

**DOE 2017**  
Energy Efficiency  
Compliant

#### Important Notes:

- 1) ELECTRICAL NOTE: If GFCI is required, a GFCI breaker MUST be used in lieu of a GFCI receptacle
- 2) Verify ventilation requirements for your installation by referring to the Design guide located in our Foodservice Resource Library at structuralconcepts.com.
- 3) Rear Access Standard - Counter must be configured to allow air to be drawn in the rear and discharged out the front.
- 4) Front Access Option - Counter must be configured to allow air to be drawn in the front and discharged out the rear.
- 5) Unit can intake and discharge from rear with optional rear vented panel.
- 6) 19.25" minimum space required beneath counter surface.
- 7) Due to DOE regulations, the maximum counter height on this model is 30".
- 8) Glass warranty only applicable to first point of delivery.

**⚠ WARNING:** This product can expose you to chemicals, including Urethane (Ethyl Carbamate), which are known to the State of California to cause cancer and birth defects or other reproductive harm. For more information go to [www.P65Warnings.ca.gov](http://www.P65Warnings.ca.gov).