



Project:
Item Number:
Quantity:

RECESSED HEATED SHELF DROP-IN



ITEMS

Item Numbers	Shelf Material	Length (IN (CM))
FC-4HS-24120-SSR	Natural Stainless Steel Finish	24" (61)
FC-4HS-30120-SSR		30" (76.2)
FC-4HS-36120-SSR		36" (91.4)
FC-4HS-42120-SSR		42" (106.7)
FC-4HS-48120-SSR		48" (121.9)
FC-4HS-54120-SSR		54" (137.2)
FC-4HS-60120-SSR		60" (152.4)
FC-4HS-66120-SSR		66" (167.6)
FC-4HS-72120-SSR		72" (182.9)
FC-4HS-24120-BKR	Black Aluminum Hardcoat Finish	24" (61)
FC-4HS-30120-BKR		30" (76.2)
FC-4HS-36120-BKR		36" (91.4)
FC-4HS-42120-BKR		42" (106.7)
FC-4HS-48120-BKR		48" (121.9)
FC-4HS-54120-BKR		54" (137.2)
FC-4HS-60120-BKR		60" (152.4)
FC-4HS-66120-BKR		66" (167.6)
FC-4HS-72120-BKR		72" (182.9)

DESCRIPTION

Vollrath's Recessed Heated Shelf Drop-ins are ideal for self-serve and grab-and-go food service applications.

Recessed Heated Shelf Drop-ins are sized to uniformly align with other Vollrath drop-ins for a clean visual presentation.

WARRANTY

All models shown come with Vollrath's standard warranty against defects in materials and workmanship. For full warranty details, please refer to www.Vollrath.com.

AGENCY LISTINGS



Due to continued product improvement, please consult www.vollrath.com for current product specifications.

FEATURES

- Available in stainless steel or black aluminum hardcoat
- Two separate warming zones can be used individually or together for maximum energy efficiency during low and peak serving times
- Warming zones are easily identified by stamped marks
- Nine heat settings
- Digital thermostatic heat control keeps food warm without affecting the quality of the food
- 1 1/16" (1.8 cm) recess
- Zero-clearance design enables the drop-in to be installed into most countertop materials. See environment requirements below.
- 6 ft. (1.8 m) power cord with plug
- 5 ft. (1.5 m) control cord

Note: Heated shelves are intended to keep wrapped or plated hot food at serving temperature for a short period of time.

Note: When pairing with a Vollrath heat strip, select a heat strip one size longer than the heated shelf drop-in. Follow the recommended mounting heights and UL clearance requirements listed on the heat strip spec sheet, found on Vollrath.com.

Note: For use with countertops up to 2 in. (5.1 cm) thick.

ENVIRONMENT REQUIREMENTS

- Indoor use only.
- Surface temperature of the shelf may reach up to 220°F (104.4°C). Verify countertop material specs to confirm material is suitable.

Approvals	Date



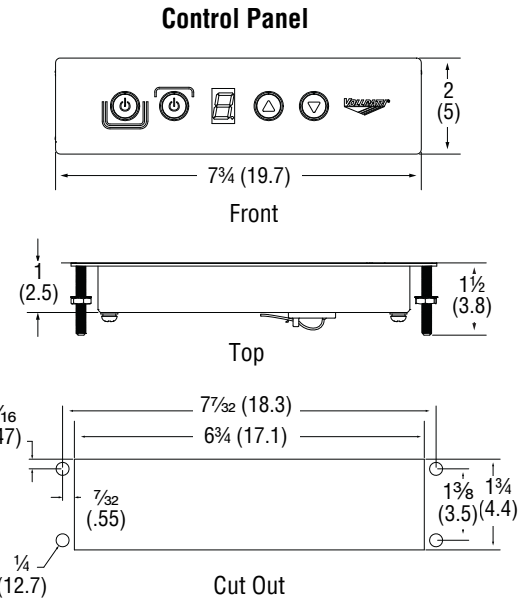
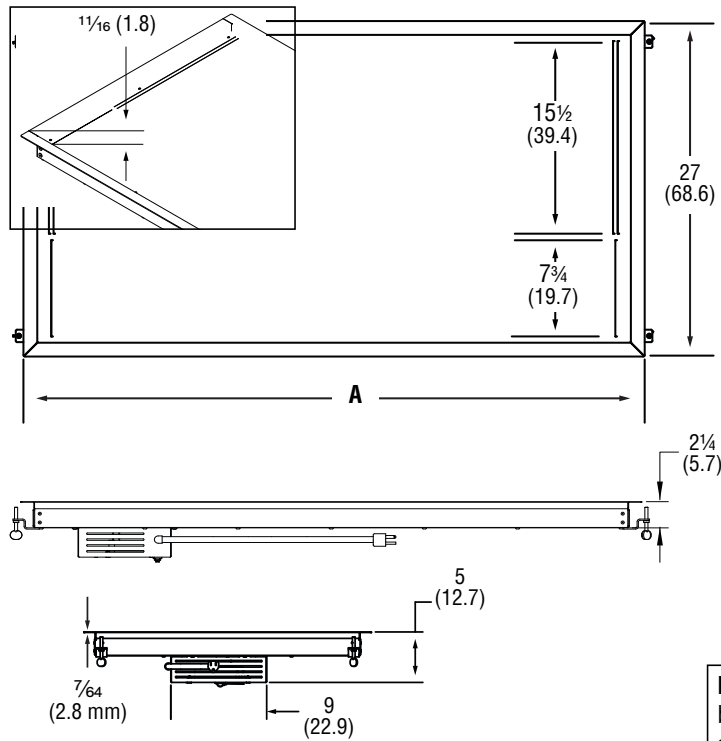
www.vollrathfoodservice.com

The Vollrath Company, L.L.C.
 1236 North 18th Street
 Sheboygan, WI 53081-3201 U.S.A.
 Main Tel: 800.624.2051 or 920.457.4851
 Main Fax: 800.752.5620 or 920.459.6573
 Customer Service: 800.628.0830
 Canada Customer Service: 800.695.8560

Technical Services
techservicereps@vollrathco.com
 Induction Products: 800.825.6036
 Countertop Warming Products: 800.354.1970
 All Other Products: 800.628.0832

RECESSED HEATED SHELF DROP-IN

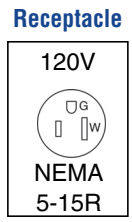
DIMENSIONS (Shown in inches (cm))



Note: If service is needed after installation, access to the electrical box mounted to the underside of the shelf is required. Allow for access in the surrounding cabinetry.

SPECIFICATIONS

Item No.	Material	Max Weight Capacity	Dimensions IN (cm)		Voltage	Watts	Amps	Hz	Weight LB (Kg)	Plug
			(A) Overall	Shelf Cutout						
FC-4HS-24120-SSR	Stainless Steel	50 (22.7)	26 (66)	24 1/2 x 25 1/4	120	304	2.5	60	27.3 (12.4)	NEMA 5-15P
FC-4HS-24120-BKR	Aluminum Hardcoat			(62.2 x 64.1)					20.6 (9.3)	
FC-4HS-30120-SSR	Stainless Steel	78 (35.4)	32 (81.3)	30 1/2 x 25 1/4		386	3.2		32.4 (14.7)	
FC-4HS-30120-BKR	Aluminum Hardcoat			(77.5 x 64.1)					24.2 (11)	
FC-4HS-36120-SSR	Stainless Steel	106 (48)	38 (96.5)	36 1/2 x 25 1/4		468	3.9		37.8 (17.1)	
FC-4HS-36120-BKR	Aluminum Hardcoat			(92.7 x 64.1)					28.1 (12.7)	
FC-4HS-42120-SSR	Stainless Steel	134 (60.8)	44 (111.7)	42 1/2 x 25 1/4		549	4.6		43 (19.5)	
FC-4HS-42120-BKR	Aluminum Hardcoat			(107.9 x 64.1)					31.7 (14.4)	
FC-4HS-48120-SSR	Stainless Steel	163 (73.9)	50 (127)	48 1/2 x 25 1/4		631	5.3		50.5 (23)	
FC-4HS-48120-BKR	Aluminum Hardcoat			(123.2 x 64.1)					37.8 (17.1)	
FC-4HS-54120-SSR	Stainless Steel	191 (86.6)	56 (142.2)	54 1/2 x 25 1/4		712	5.9		56 (25.4)	
FC-4HS-54120-BKR	Aluminum Hardcoat			(138.4 x 64.1)					41.6 (18.9)	
FC-4HS-60120-SSR	Stainless Steel	219 (99.3)	62 (157.5)	60 1/2 x 25 1/4		794	6.6		61 (27.7)	
FC-4HS-60120-BKR	Aluminum Hardcoat			(153.7 x 64.1)					45.2 (20.5)	
FC-4HS-66120-SSR	Stainless Steel	247 (112)	68 (172.7)	66 1/2 x 25 1/4		876	7.3		66.4 (30.1)	
FC-4HS-66120-BKR	Aluminum Hardcoat			(168.9 x 64.1)					49.1 (22.3)	
FC-4HS-72120-SSR	Stainless Steel	275 (124.7)	74 (188)	72 1/2 x 25 1/4	957	8.0	71.6 (32.5)			
FC-4HS-72120-BKR	Aluminum Hardcoat			(184.2 x 64.1)			52.8 (24)			



NOTICE:
Do NOT modify the cord or plug on the drop-in. Modifying any component may damage the drop-in or cause injury, and will void the warranty.



www.vollrathfoodservice.com

The Vollrath Company, L.L.C.
1236 North 18th Street
Sheboygan, WI 53081-3201 U.S.A.
Main Tel: 800.624.2051 or 920.457.4851
Main Fax: 800.752.5620 or 920.459.6573
Customer Service: 800.628.0830
Canada Customer Service: 800.695.8560

Technical Services
techservicereps@vollrathco.com
Induction Products: 800.825.6036
Countertop Warming Products: 800.354.1970
All Other Products: 800.628.0832