

## EUL CHEMICAL SANITIZING Undercounter



### SPECIFIER STATEMENT

Specified unit will be NSF rated, **Ecoline™ by Hobart** chemical sanitizing undercounter dishwasher. Features soft start, standard 2-minute cycle, .92 gallons per rack, LED temperature and operator display, service diagnostics, detergent, rinse aid and sanitizer pumps. Constructed of stainless steel.

**1 year parts and labor warranty.**

### STANDARD VOLTAGE

+ 120/60/1

### MODELS

**EUL** Chemical sanitizing

### STANDARD FEATURES

- + 24 racks per hour
- + .92 gallons of water per rack
- + Chemical sanitizing
- + Top-mounted user interface with digital temperature display
- + 2-minute cycle
- + 14.46" door opening
- + Snap-in, revolving upper and lower anti-clogging wash & rinse arm; low-profile, single-arm design
- + Removable, 3-part stainless steel scrap screen
- + Soft start
- + Automatic pumped drain
- + Automatic fill
- + Service diagnostics with error notifications
- + Delime cycle
- + Chemical pumps
- + Sanitizer visual indicator
- + Electric tank heat
- + Two dishracks – one peg and one combination type

### OPTIONS & ACCESSORIES (AVAILABLE AT EXTRA COST)

- Chemical sensing indicators (low chemical alert)
- Stainless steel stand with rack storage and adjustable legs (legs in provide 15<sup>5</sup>/<sub>16</sub>" of additional height; legs out provide 17<sup>7</sup>/<sub>8</sub>" of additional height)
- Peg rack
- Combination rack
- Power cord kit
- Internal and external casters

**LEGEND**

Electrical Connections	
<b>E1</b>	Electrical connection: 1-3/8" dia. hole for 1" trade size conduit; 1-5/8" AFF.
Plumbing Connections	
<b>P1</b>	Single fill and rinse connection: 3/4" female garden hose fitting on 6' long hose supplied with machine; 120°F water minimum for EUL, 140°F recommended.
<b>P2</b>	Drain connection: 19mm barb fitting with 6' long hose supplied with machine.
<b>P3</b>	Chemical supply: Detergent, sanitizer and rinse aid; approximately 1-5/8" AFF. 5-1/4" long tubing supplied with machine.

**WARNING: Electrical and grounding connections must comply with the applicable portion of the National Electrical Code and/or other local electrical codes.**

**Plumbing connections must comply with applicable sanitary, safety, and plumbing codes.**

Heat Output, BTU/Hour		
Volts	Latent	Sensible
120	1,200	500

**(E1) STANDARD ELECTRICAL OPTIONS**

Voltage	Rated Amps	Minimum Supply Circuit Ampacity	Maximum Protective Device
120/60/1	17.5	20	20

**NOTE:** For supply connections, use copper wire only rated at 90°C minimum.

Accessory cord kit available for all models.

Dishmachine not provided with internal GFCI protection.

**SPECIFICATIONS**

**Capacities**

Cycle Time (seconds)	120
Racks per Hour	24
Tank Capacity – Gallons	5.3

**Motor Horsepower**

Wash	0.62
Rinse	0.20

**Water Consumption**

U.S. Gallons per Hour (maximum use)	22.1
U.S. Gallons per Rack (maximum use)	0.92
Peak Drain Flow – U.S. Gallons	2.8

**Temperatures °F**

Incoming Water Temperature (minimum recommended)	120° F
--	--------

**Heating**

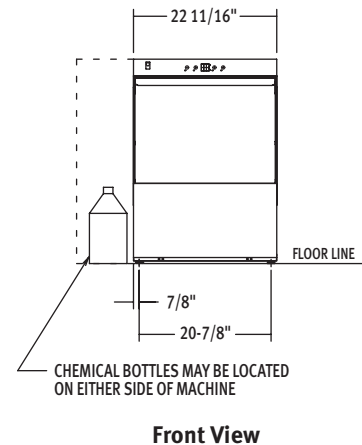
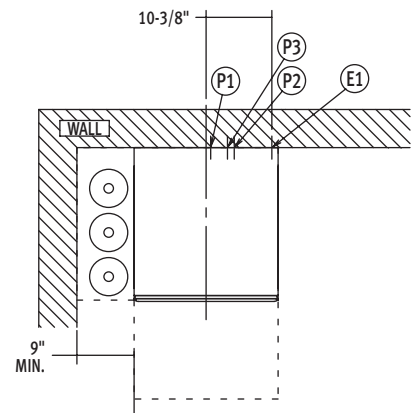
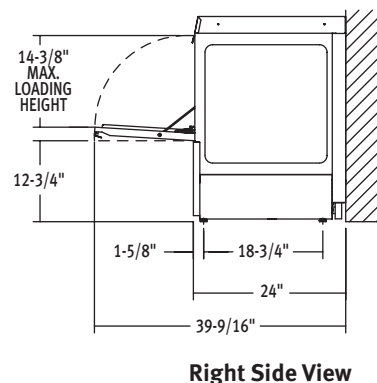
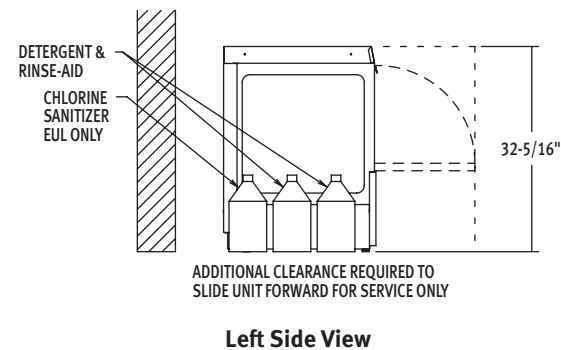
Tank Heat, electric (kW)	2.0
--------------------------	-----

**Standard 20" x 20" (508 x 508) Rack Complement**

Flat	1
Peg	1

**Shipping Weight (approximate)** 148 lbs.

**Crated Dimensions** 27 1/4" W x 26 1/2" L x 38 3/4" H



MODEL:  
EUL  
00-563890  
REV B

As continued product improvement is a policy of Hobart, specifications are subject to change without notice.

**CAD and/or Revit Files Available**