

# Fit 'N Finish<sup>®</sup> Finishing Station

## Stainless Steel/Laminate

Spec.

AIA #

### Model 155045

## Allow Diners To Customize Meals With No Added Labor Costs Or Prep Space



Model 155045



### Benefits

- ▼ Rolls easily to convenient position in the dining area
- ▼ Moves customers out of the serving area and improves service time and flow
- ▼ Can be easily expanded to allow personalization and reduced labor cost

### Features

- ▼ User-friendly two-level top
- ▼ Durable welded stainless steel frame with laminate panel finish
- ▼ Storage and refuse compartments
- ▼ Convenient top waste chute
- ▼ Recessed casters for built-in-look and easy mobility
- ▼ Wide choice of laminate exterior finishes
- ▼ Top/interior configurations available with separated waste and storage compartments

### Casters

- ▼ Two swivel, two rigid 5" non-marking, two with brake

### Specifications:

Unit is of fastened stainless steel frame construction with decorative laminate exterior and stainless steel interior storage compartments for waste container and supplies. Storage/waste compartments are concealed behind hinged laminate doors. Stainless steel top features 8" waste chute and stainless steel riser shelf. Top and interior compartments can be configured to have one, two, or no waste compartment(s) and chute(s). Casters (two each swivel with brake, two each rigid) are plate-mounted to a stainless steel dolly frame and have 5" non-marking wheels.

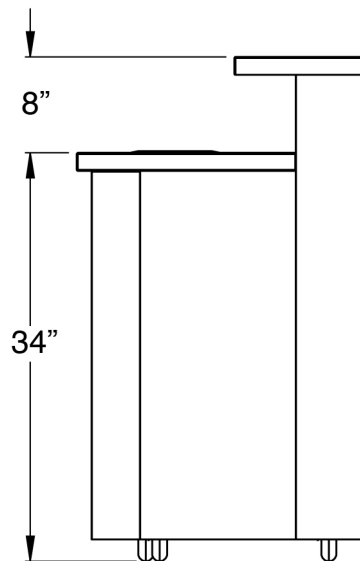
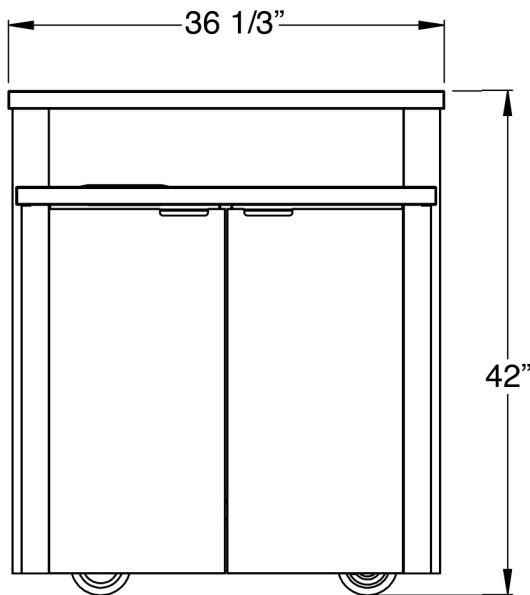
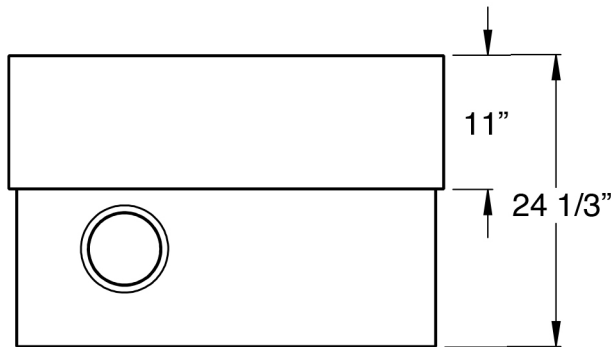
# Fit 'N Finish® Finishing Station

Stainless Steel/Laminate

Model 155045

Spec. #

AIA #



## Model Information

Model	Overall Size			Case Wt. Lbs.
	W	D	H	
155045	36 <sup>3</sup> / <sub>8</sub> " (924)	24 <sup>3</sup> / <sub>8</sub> " (619)	42" (1067)	254 (115.2 kg)

Dimensions in ( ) denote metric millimeters unless otherwise noted.



## Geneva Designs, LLC

4900 West Electric Avenue • West Milwaukee, WI 53219 U.S.A.  
800-870-2779 • 414-902-6400 • Fax 414-902-6446  
info@genevadesignsllc.com • www.genevadesignsllc.com