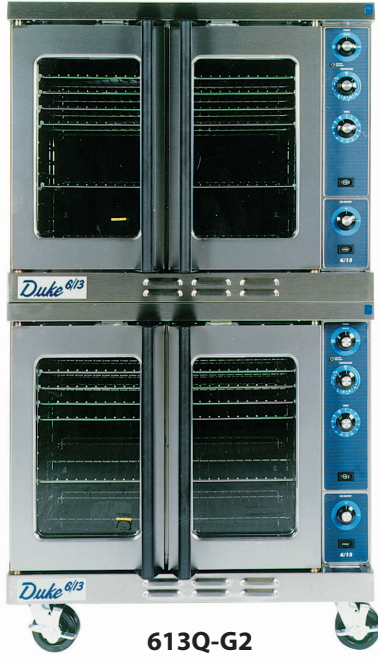




Your Solutions Partner

# Specifications

F.O.B. Sedalia, Missouri 65301



613Q-G2  
(Shown with optional casters)

### OPTIONS:

- Stainless steel interior
- Stainless steel back enclosure panel
- Seismic feet
- 48" flexible disconnect, w/restraining device
- Down draft hood
- Common gas manifold
- Double stack - shipped assembled
- Flue deflector
- Casters
- Extra oven racks
- Prison package - tamper proof screws, lexan hinged cover with lockable clasp
- Extended warranty

**Approval Stamp(s):**

### PRODUCT INFORMATION:

PROJECT: \_\_\_\_\_

ITEM: \_\_\_\_\_

QUANTITY: \_\_\_\_\_

MODEL:

### Duke Convection Ovens - "Q" Series Double Deck - Standard Depth - Gas

- **613Q-G2** Double deck, standard depth

### STANDARD FEATURES

- 40,000 BTU
- 6 racks/13 rack positions
- Porcelain interior finish
- 50/50 independent stainless steel doors
- Double pane glass both doors
- 8" angular stainless steel legs/adjustable feet
- 2 Speed motor

### OVEN SECTION

- Stainless steel front, sides and top
- 1 1/2" insulation on bottom, sides and back
- 3" insulation on top
- Interior lights

### BURNER SYSTEM

- 40,000 BTU on each oven
- High output atmospheric burner system
- Main gas shut off valve
- Built-in gas regulator

### OVEN CONTROLS

- "V" - Basic snap action thermostat (200°-500°F), 60 minute electric dial timer with continuous sound buzzer, 2-speed fan
- "XX" - Solid state digital time and temperature controls, 12-hour countdown timer, **Cook and Hold** feature, 2-speed fan, Pulse fan capability

### DUKE MANUFACTURING CO.

2305 N. Broadway  
 St. Louis, MO 63102  
 800.735.3853 Toll Free  
 314.231.5074 Fax  
 www.dukemfg.com  
 SS-1079 613Q-G2 Double-Gas

### Certifications



Specification subject to change

 **WARNING** For CA residents: go to [www.dukemfg.com/prop65](http://www.dukemfg.com/prop65) for prop 65 warning

REV D 06/15/2022

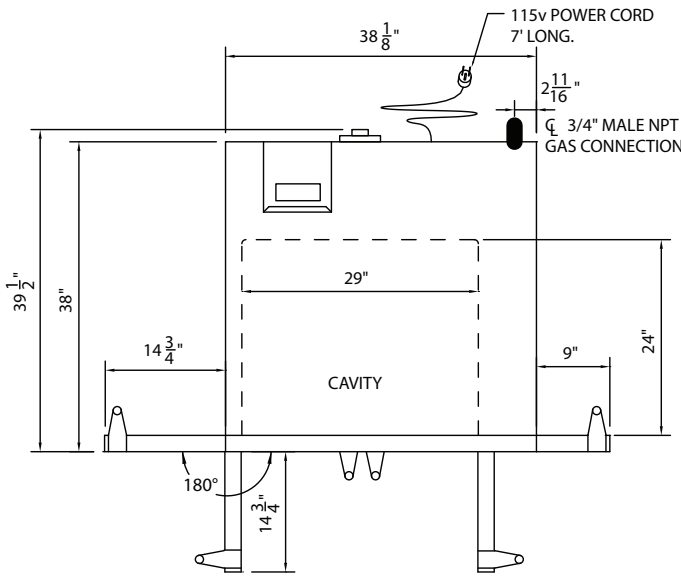
# DUKE CONVECTION OVENS

## "Q" SERIES

### DOUBLE DECK - GAS - STANDARD DEPTH

A.I.A. File No. 35-C-13

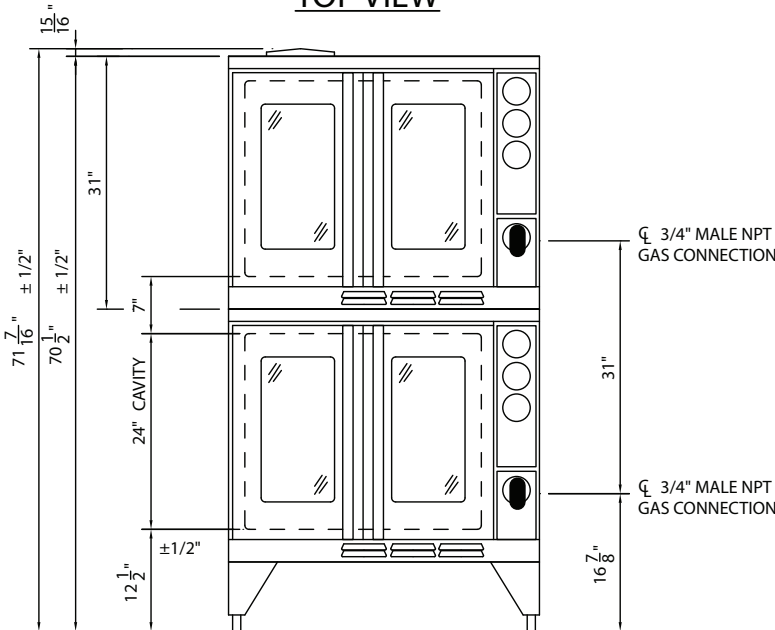
Catalog No. DCO-QGASDS



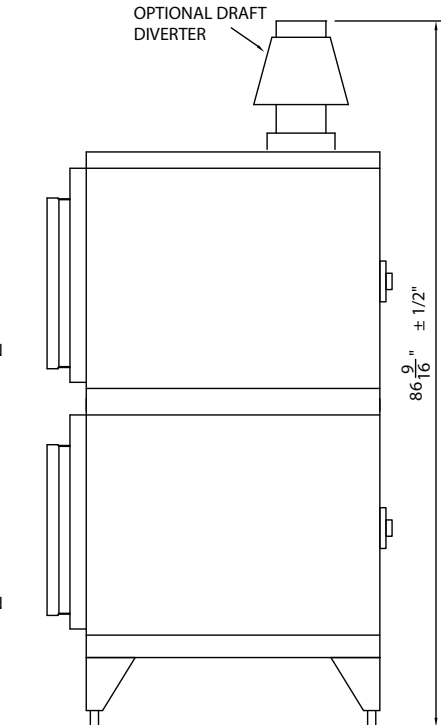
Gas Specifications		
<b>613Q-G2</b>	<b>BTU/Hour</b>	40,000
Regulated gas pressure required 3.5" WC natural /10" WC propane		
Combustible surface clearance - 1" side, 1" rear, 6" floor		
● Gas connection		
3/4" Gas connection		
Electrical requirements: 3.5 Amps/ 115V		
Standard 115V units supplied with 5' cord and plug		

Specify gas type  
Specify altitude over 2000 feet

**TOP VIEW**



**FRONT VIEW**



**RIGHT SIDE VIEW**

**DIMENSIONS:**

**Freight Class: 85**

Model	Height		Width		Depth		Cube ft. crated	Weight	
	in.	cm	in.	cm	in.	cm		lbs.	kg
<b>613Q-G2</b>	39.5	100.3	38	96.5	70.5	179.1	69.7	1080	490.0

DUKE CONVECTION OVENS - "Q" SERIES - DOUBLE - STANDARD DEPTH - GAS



**Duke Manufacturing Co.**  
2305 N. Broadway  
St. Louis, MO 63102

Phone: 314-231-1130  
Toll Free: 1-800-735-3853  
Fax: 314-231-5074

[www.dukemfg.com](http://www.dukemfg.com)