

# SALVAJOR Offset Chute

FOR DISPOSER MODELS: 100 - 200 - 300 - 500

## SPECIFICATIONS:

- Specifically designed for correctional/institutional use
- Prevents accidental insertion of hands and other foreign objects
- Made of corrosion-resistant stainless steel
- Efficiently located fixed nozzles for thorough flushing of food waste into disposer, using a minimum amount of water
- Includes 3 disposer support legs with bolt down flanges.



### SAMPLE SPECIFICATION

500-CA-18-OFC		ARSS (460/60/3)	
Model	Cone Size	Disposer Control	Electrical Specs
Assembly		Offset Chute	

### FOR USE WITH:

**SA:** Sink Assembly 3½" or 6½"  
**CA:** Cone Assembly 12", 15" or 18"

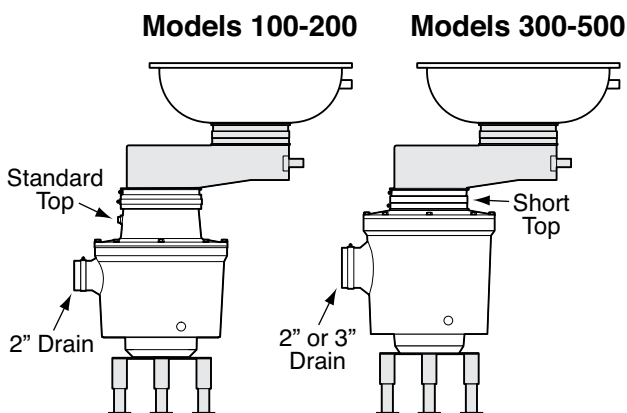
### CA Table Cut-out

12" CONE - 12 7/8"  
 15" CONE - 15 7/8"  
 18" CONE - 18 7/8"

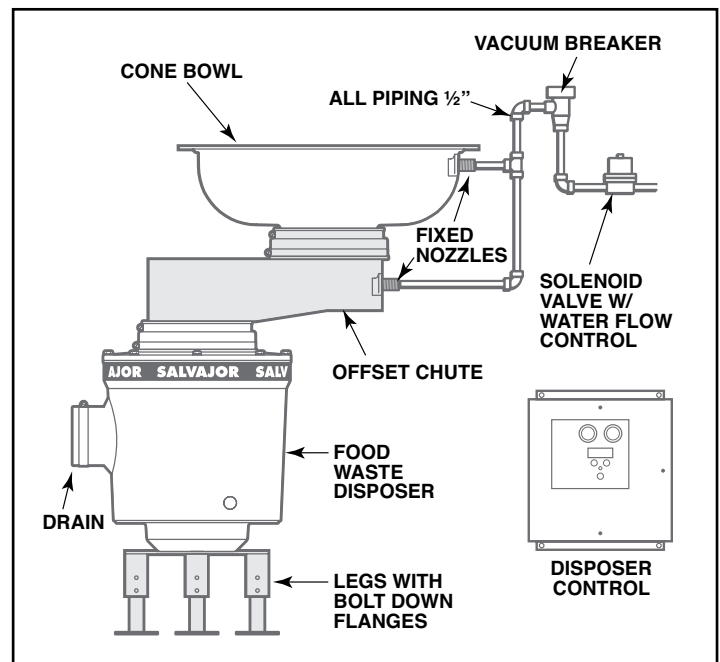
### SA Table Cut-out

6½" SINK MOUNT - 6 5/8"

(Specifications subject to change without notice)  
 Current specification details may be found online  
 at [www.salvajor.com](http://www.salvajor.com)



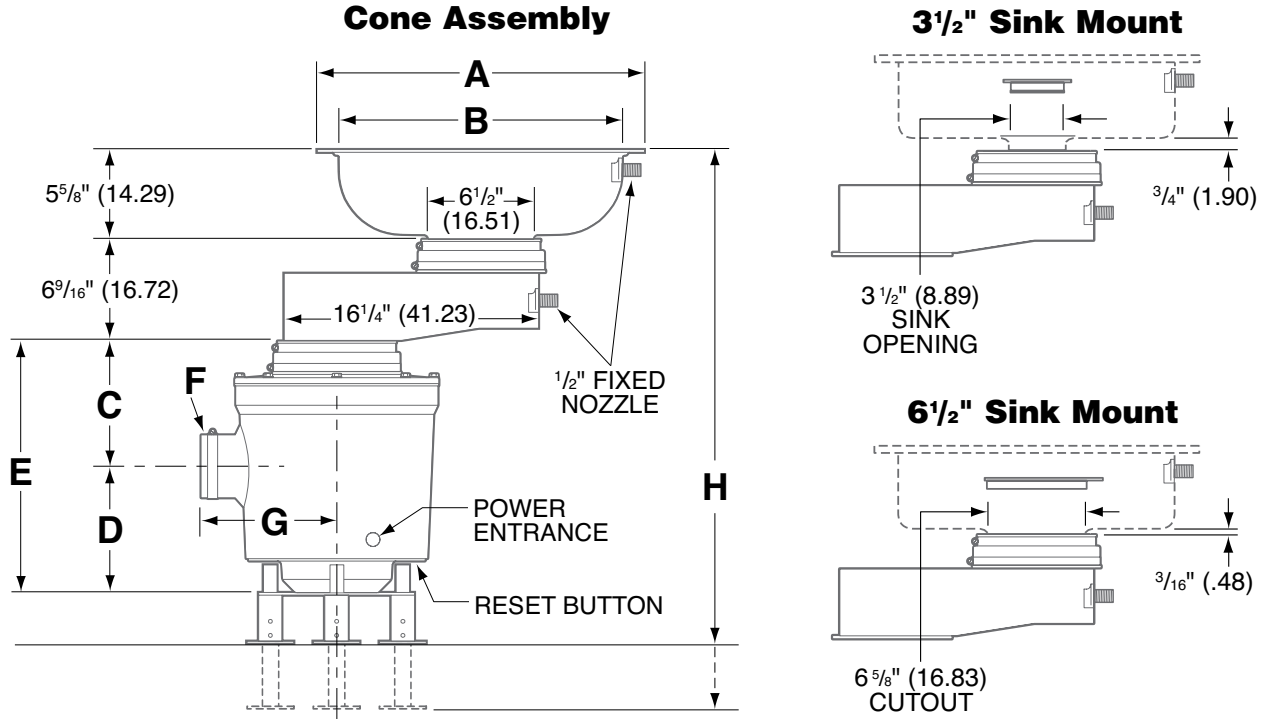
NOTE: INSTALL PER ALL APPLICABLE CODES



# Offset Chute

## DETAILS AND DIMENSIONS

FOR MODELS: 100 - 200 - 300 - 500



NOTE: Dimensions in parenthesis are in centimeters. Models 300-500 shown, 100-200 similar.

Cone Dimensions			
	12" Cone	15" Cone	18" Cone
<b>A</b>	14-7/8" (37.78)	17-7/8" (45.40)	20-7/8" (53.02)
<b>B</b>	12" (30.48)	15" (38.10)	18" (45.72)

Dimensions		
	Models 100-200	Models 300-500
<b>C</b>	8-1/2" (21.64)	7-15/16" (20.10)
<b>D</b>	7-5/16" (18.55)	8" (20.31)
<b>E</b>	15-13/16" (40.19)	15-15/16" (40.41)
<b>F</b>	2" Drain	2" or 3" Drain
<b>G</b>	8-1/2" (21.59)	8-5/8" (21.96)
<b>H</b>	31-1/4" to 35-5/8" (79.42 to 90.54)	31-3/8" to 35-3/4" (79.65 to 90.77)

# SALVAJOR

Manufacturers of Commercial Food Waste Solutions - Since 1944

4530 East 75th Terrace Kansas City, MO 64132-2081, USA  
 816.363.1030 | Toll Free: 1.800.725.8256 | Service: 1.888.725.8256 | Fax: 1.800.832.9373  
 sales@salvajor.com | service@salvajor.com | www.salvajor.com

Printed in USA  
 Form No. OFC (05-18)