

Project: _____

Item: _____

Quantity: _____

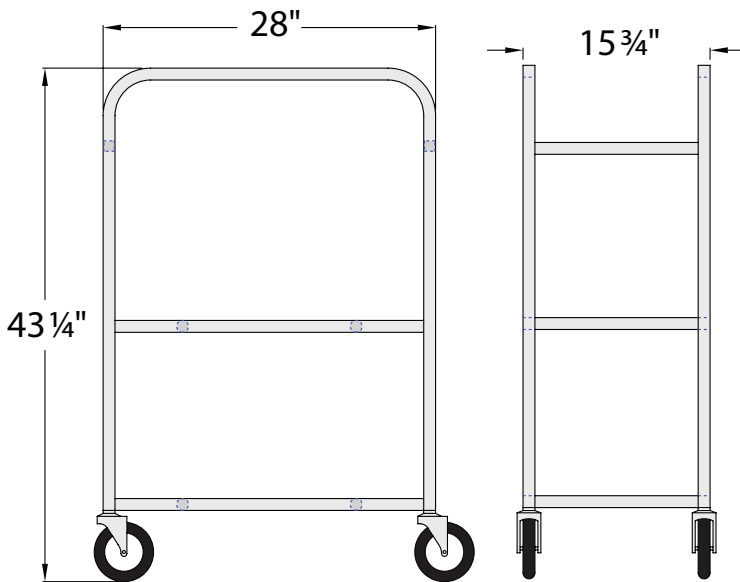
Lug Dolly -Bussing Cart



99304

Work saving mobile cart for prepping, transporting, and storing all types of products. Open bar framework is easy to keep clean, making it great for bussing tables! At just under 16" wide, this cart can maneuver through narrow spaces with ease.

- Constructed of Primary Grade Aluminum.
- Framework is constructed of 1" x 1" x .070" wall tubing.
- Lugs are held by 1" Diameter pipe.
- Equipped with four 5" stem type swivel casters.
- Five-Year Guarantee against material defects and workmanship.
- Lifetime Guarantee against rust and corrosion.



99304

► Lug Dolly / Bussing Cart

Model No.	Size W-H-D	Weight Capacity	Ship Lbs.
99304	17 1/4" x 41 1/2" x 28"	150 lbs.	21

Four 5" stem type casters.



New Age Industrial Corp., Inc. || NewAgeIndustrial.com || Made in the USA

PO Box 520 • 16788 US Hwy 36 • Norton, Kansas 67654 || Phone: (800) 255-0104 • (785) 877-5121 || Fax: (877)-877-7687 • (785) 877-2616

This information is for general sales and engineering use only. New Age Industrial reserves the right to modify or make changes at any time, without notice, to materials and specifications.