



CHITWOOD SMOKE BROILER

TITAN CHITWOOD SMOKE BROILER



KC-36 shown with optional smoke hood



KC-48 shown with optional smoke hood, stainless steel enclosed stand and casters

MODEL NO.	DESCRIPTION
<input type="checkbox"/> KC-24	24" WIDE BROILER
<input type="checkbox"/> KC-24-RAD	24" WIDE BROILER, RADIANT BURNER
<input type="checkbox"/> KC-36	36" WIDE BROILER
<input type="checkbox"/> KC-36-RAD	24" WIDE BROILER, RADIANT BURNER
<input type="checkbox"/> KC-48	48" WIDE BROILER
<input type="checkbox"/> KC-48-RAD	48" WIDE BROILER, RADIANT BURNER
<input type="checkbox"/> KC-60	60" WIDE BROILER
<input type="checkbox"/> KC-60-RAD	60" WIDE BROILER, RADIANT BURNER

STANDARD FEATURES

- 14 gauge stainless steel all welded body construction
- Heavy duty cast iron 9-bar grill grates
- Stainless steel front, sides and top rim
- Ceramic briquettes to provide even heat (standard model)
- Cast iron bottom grates for briquette support (standard model)
- One 30,000 BTU/hr. burner every 12" broiler (standard model)
- Cast iron radiant to provide even heat (on "-RAD" model)
- One 15,000 BTU/hr. burner every 6" broiler (on "-RAD" model)
- Exclusive CHITWOOD Smoke-Ejector system to provide maximum smoke to the grill surface. Independent of main burner heat for COLD SMOKING
- Infinite control manual gas valves at each burner for precise heat control
- 12 gauge all welded firebox construction
- 3/4" gas regulator
- Stainless steel gas tubing throughout
- Stainless steel tray bed

AVAILABLE OPTIONS

- Stainless steel smoke hood with stay cool handle. Left Right
- Stainless steel 8" extended plate shelf with drop down hinges
- Stainless steel enclosed stand with drawers and doors for storage - models ESKC*
- Stainless steel open stand with round tube legs and shelf - models OSKC*
- Stainless steel 8" solid plate shelf

* ESKC: Enclosed Stand Series; OSKC: Open Stand Series

ACCESSORIES

- 6" casters, front two locking (5" diameter wheel)
- 36" flex hose with quick disconnect (3/4" connection)
- 48" flex hose with quick disconnect (3/4" connection)
- Stainless steel adjustable 6" legs



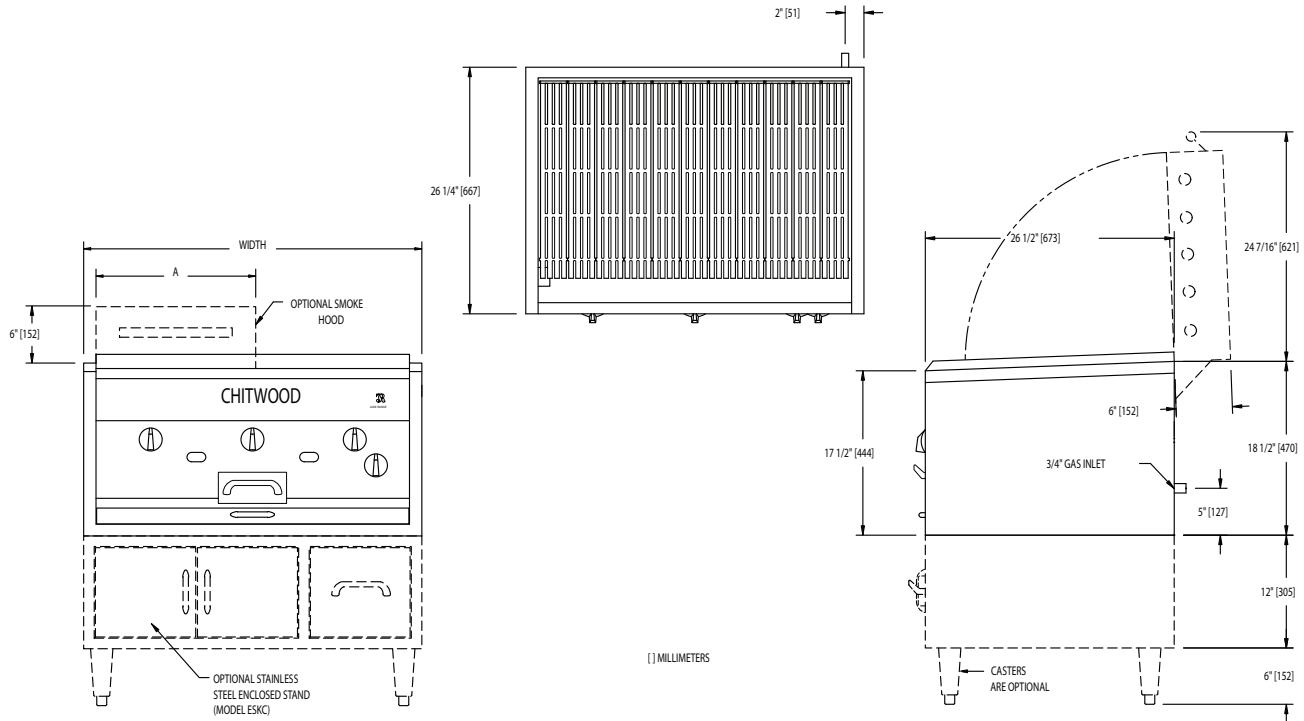
WWW.JADERANGE.COM

JADE RANGE, LLC., A MIDDLEBY COMPANY • 2650 Orbiter Street • Brea, CA 92821 • PHONE: 800-884-5233 FAX: 714-961-2550
 Note: In line with their policy to continually improve products, Jade reserves the right to change materials and specifications without notice. PRINTED IN USA





CHITWOOD SMOKE BROILER



MODEL	MAIN BURNERS	SMOKE EJECTORS	WIDTH	BTUS	APPX. SHP. WT.	WIDTH-A (OPTIONAL HOOD)
KC-24	2	1	24"	65,000	300 LBS.	22"
KC-24-RAD	2	1	24"	65,000	300 LBS.	22"
KC-36	3	1	36"	95,000	350 LBS.	16" or 36"
KC-36-RAD	3	1	36"	95,000	350 LBS.	16" or 36"
KC-48	4	2	48"	130,000	400 LBS.	22" or 36"
KC-48-RAD	4	2	48"	130,000	400 LBS.	22" or 36"
KC-60	5	2	60"	160,000	500 LBS.	22" or 36"
KC-60-RAD	5	2	60"	160,000	500 LBS.	22" or 36"

DESCRIPTION:

CHITWOOD SMOKE BROILER. To be model #KC _____ manufactured by Jade Range. Furnished with 14 gauge all welded body construction and stainless steel front, sides and top rim. Provide with heavy duty cast iron grates. One cast iron burner with stainless steel radiants each 12" of broiler. Provide ceramic briquettes for even heat and 12 gauge firebox with all welded construction. Include exclusive Smoke Ejector system, heavy gauge smoke drawer with independent control for cold smoke applications. Furnish 14 gauge drip pan and 3/4" regulator. To have 6" stainless steel adjustable legs.

SPECIFY TYPE OF GAS WHEN ORDERING.

SPECIFY ALTITUDE WHEN ABOVE 2,000 FT.

NOTE: SPECIFY TYPE OF GAS WHEN ORDERING.

UTILITY INFORMATION:

- Ranges are supplied with a 3/4" rear gas connection. Ranges are supplied with 3/4" gas pressure regulator.
- Required operating pressure:
 Natural Gas 5" W.C. minimum
 Propane Gas 10" W.C. minimum
 14" W.C. maximum

Note: This unit must be connected with the gas appliance regulator supplied.