

Blueair by
BLUENIX

MODEL 3C18-12L-2D
CORNER SINK



STANDARD FEATURES



Entire ASSEMBLY is fused Welded
shielded and polished to create a one piece
seamless sink Unit



Adjustable ABS bullet feet
Enhanced Functionality.



Stainless Steel cross braced legs and gussets
additional strength and stability

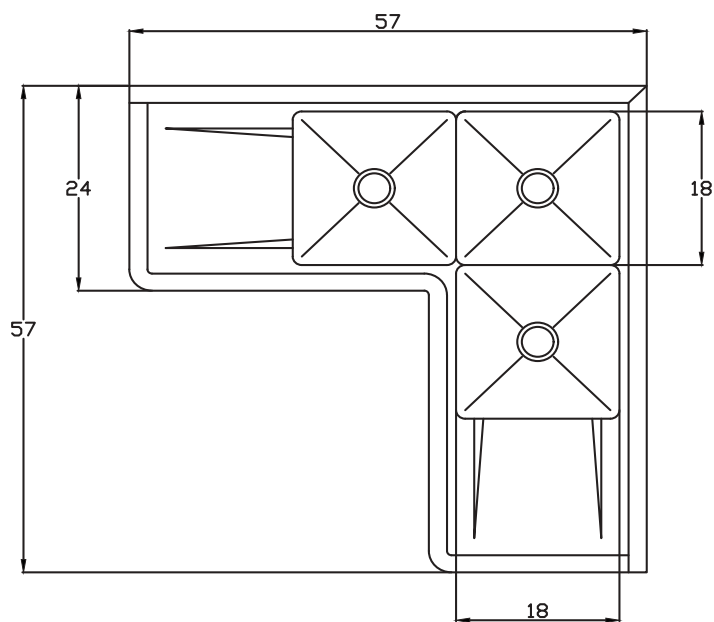
- Swirl away bowl drainage
- All sink compartments are covered With a full 5/8" radius
- Welded areas are high-speed belt blended to match adjacent surfaces with the continuity of a satin finish
- All Sink Models Equipped with standard strainers with Brass Fittings instead of Aluminum
- Die-stamped creased drain boards for positive drainage

Blueair by
BLUENIX

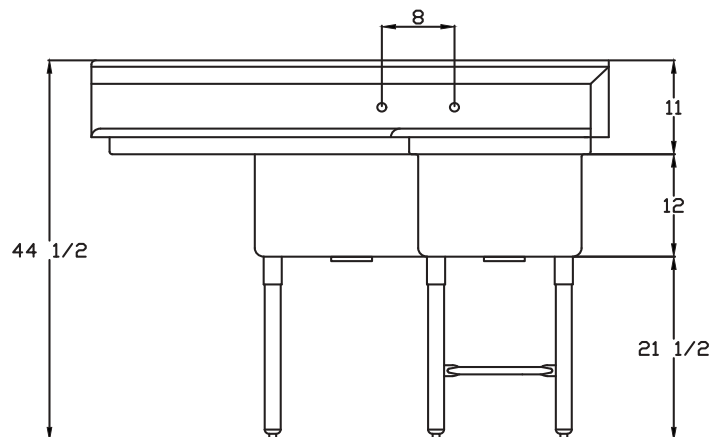
BLUE AIR has right to change specifications without further notice.

PRODUCT PLAN VIEW

Top view



Front view



3C18-12L-2D

Model

3C18-12L-2D

Overall size
(inches/mm)

L
57 1/4" (1454)

D
57 1/4" (1454)

H
44 1/2" (1130)

Bowl Size
(inches/mm)

L
18" (458)

D
18" (458)

H
12" (305)

Weight
(lbs/kg)

Net Weight
91(41)

Ship Weight
140(64)



blueairfse.com



orders@blueairfse.com



1.886.677.8500



223 W. Rosecrans Ave., CA 90248
T: 310.808.0102

9 W. Shelton Terrace #A, Hillside, NJ 07205
T: 908-688-0970