

TECHNICAL DATA

Dimensions

Exterior Dimensions (WxDxH)	48.875" x 24.375" x 35.625"
Interior Dimensions (WxDxH)	36.25" x 18.5" x 30.5"
Net Volume (cu. ft)	11.8 cu. ft
Gross Weight	266 lbs
Packaging Dimensions (WxDxH)	52" x 28" x 42"
Electrical Cord Length	94"

Cooling

Temperature Range	33° - 40° F
Refrigerant	R290
Maximum Ambient Temperature Rating	90° F
Defrosting	Automatic
Temperature Display	Yes
Temperature Controller	Digital
H/P	1/3

Construction

Exterior Material	430 series stainless steel
	Painted steel sides
Interior Material	304 series stainless steel
Insulation Material	Foamed in place polyurethane
Shelf Material	Plastic coated steel
Shelf Load Capacity	120 lbs

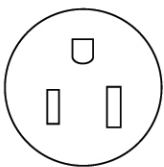
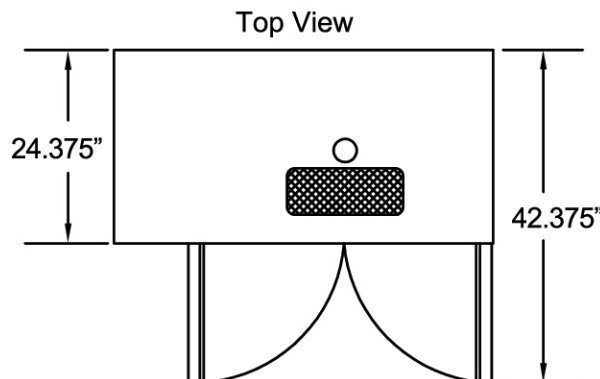
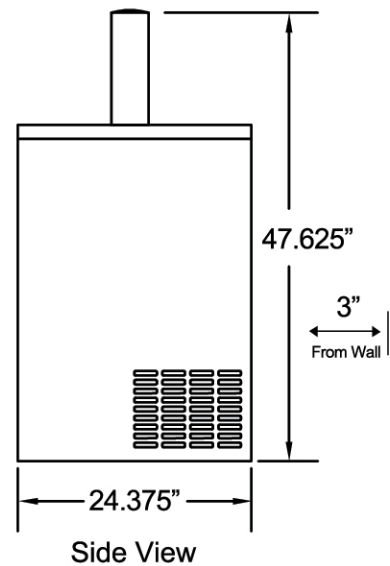
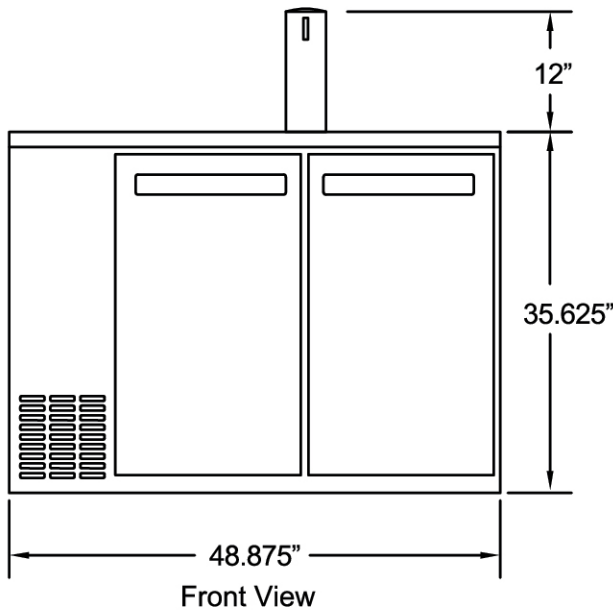
Electrical

Voltage	115
Amps	6.3
Hz	60
Phase	1

PLAN VIEW

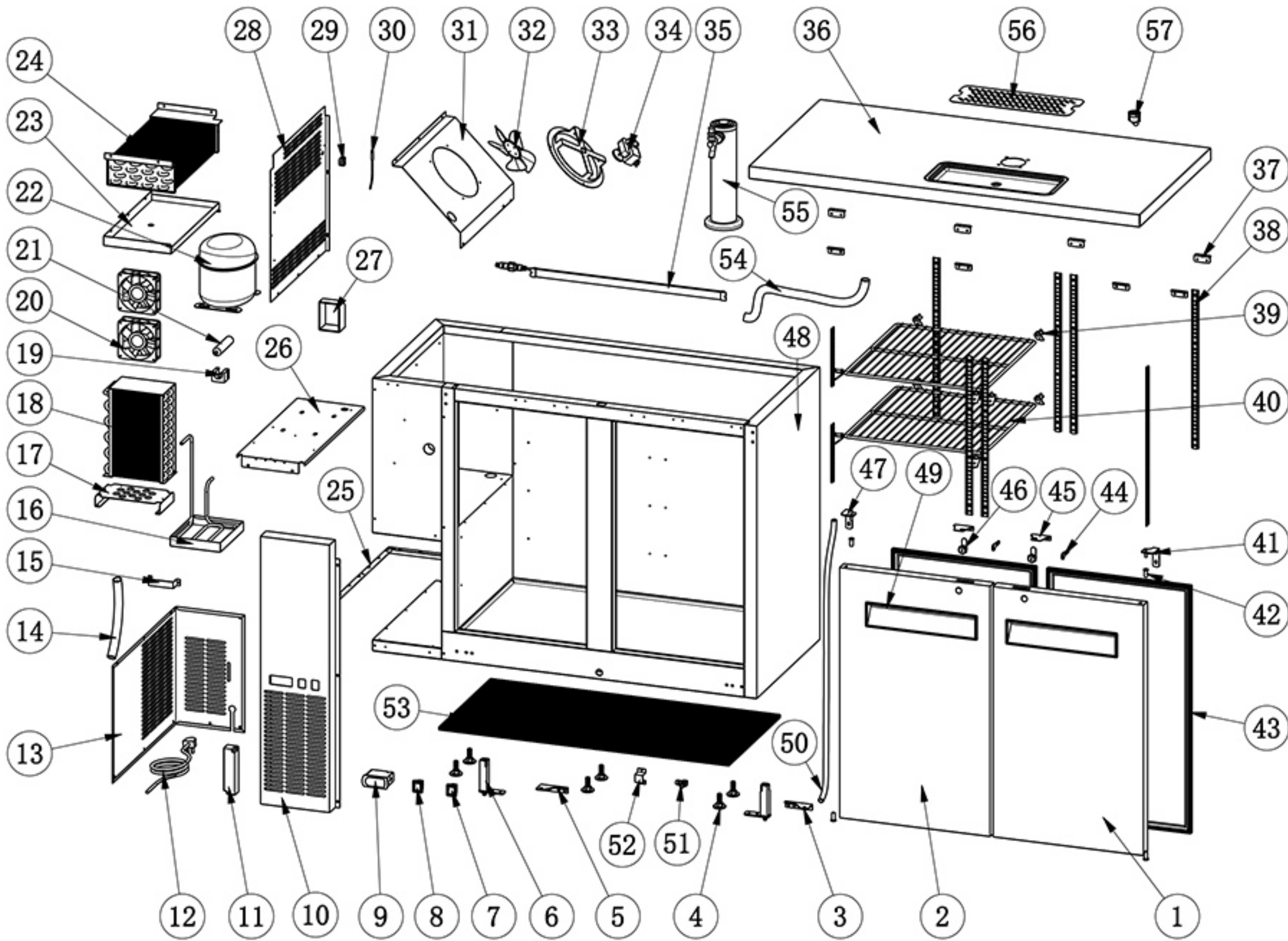


COMPLIES WITH ANSI/NSF 7 FOR FOOD SERVICE



NEMA 5-15

SBD-2



NO.	Part Name	Factory Part NO.	QTY
1	RIGHT DOOR		1
2	LEFT DOOR		1
3	BOTTOM RIGHT HINGE	12517140003	1
4	LEVELING FEET	12534030002	6
5	BOTTOM LEFT HINGE	12517140005	1
6	BOTTOM HINGE AXIS	12517010001	2
7	POWER SWITCH	17749211297	1
8	LED LIGHT SWITCH	17749180002	1
9	THERMOSTAT	17505180005	1
10	CONTROL PANNEL		1
11	LED POWER SUPPLY	22753530013	1
12	POWER CORD	17664640064	1
13	BACK GRILL		1
14	DRAIN HOSE	15818180020	1
15	HANDLE OF COMPRESSOR INSTALLATION BOARD		1
16	OUTER DRAIN PAN	16316130005	1
17	CONDENSER INSTALLATION BOARD		1
18	CONDENSER	17304110150	1
19	FILTER FIXER	16369690257	1
20	CONDENSER FAN MOTOR	1003001114715	2
21	FILTER	17111250197	1
22	COMPRESSOR	17202163117	1
23	INNER DRAIN PAN		1
24	EVAPORATOR	17405080340	1
25	FIXED MOUNTS FOR BACK GRILL		1
26	COMPRESSOR INSTALLATION BOARD		11
27	COMPRESSOR COMPONENT		1
28	EVAPORATOR COVER		1
29	TEMPERATURE PROBE FIXER	16357060003	1
30	TEMPERATURE PROBE	17649490013	1
31	EVAPORATOR FAN INSTALLATION BOARD		1
32	EVAPORATOR FAN BLADE	16381738082	1
33	EVAPORATOR FAN HOLDER	12504050201	1
34	EVAPORATOR FAN MOTOR	22752520007	1
35	LED LIGHT	17740410069	1
36	TOP BOARD		1
37	TOP BOARD FIXER		8
38	K STRIP		8
39	K CLIP	5302000003	8
40	SHELF	12502448461	2
41	UPPER RIGHT HINGE		1

42	AXIS COVER	16353010008	4
43	GASKET	16401440763	2
44	KEY	12546310002	2
45	LOCK PLATE		2
46	LOCK	12546100952	2
47	UPPER LIGHT HINGE		1
48	CABINET		1
49	DOOR HANDLE	16337030003	2
50	DRAIN HOSE	15818180013	1
51	PLASTIC CONNECTOR	16369690006	1
52	BAFFLE		1
53	RUBBER PAD	16413130006	1
54	CORRUGATED PIPE	15799990729	1
55	BEER TOWER KIT - ONE TAP	12599993000	1
56	COVER FOR BEER DRIP PAN		1
57	DRAIN CONNECTOR FOR BEER DRIP PAN	16369370060	1