

Project: \_\_\_\_\_

Item: \_\_\_\_\_

Quantity: \_\_\_\_\_

## Bulk Cart - Frame & Tubs

The perfect "bulk" cart for every department.

- All welded construction.
- Framework is constructed of 1¼" x 1¼" x .070" wall tubing.
- Tub supports are constructed of 1" x 1" x .070" wall tubing.
- Equipped with four, 5" x 1⅜" stem type swivel casters.
- Lifetime Guarantee against rust and corrosion.
- Five-Year Guarantee against workmanship and material defects.



2¼ Bushel

99521



4 Bushel

99271  
0381 - Tub  
0381L- Lid



8 Bushel

99273  
0360 - Tub  
0360L- Lid



6 Bushel

99272  
0363 - Tub  
0363L- Lid



9 Bushel

99274  
0382 - Tub  
0382L- Lid



0300



Lid



Tubs & Lids Excluded From Guarantee.

New Age Industrial Corp., Inc. || [NewAgeIndustrial.com](http://NewAgeIndustrial.com) || Made in the USA

PO Box 520 • 16788 US Hwy 36 • Norton, Kansas 67654 || Phone: (800) 255-0104 • (785) 877-5121 || Fax: (877)-877-7687 • (785) 877-2616

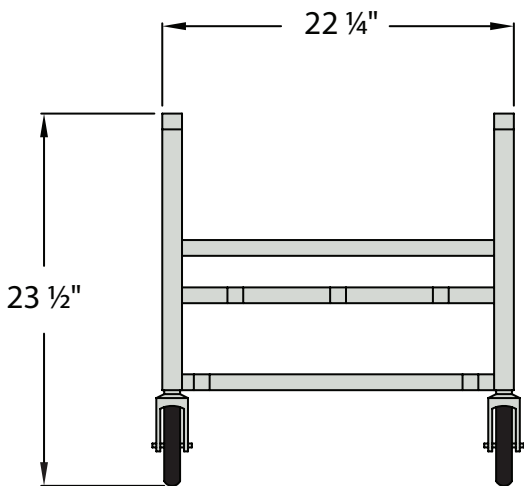
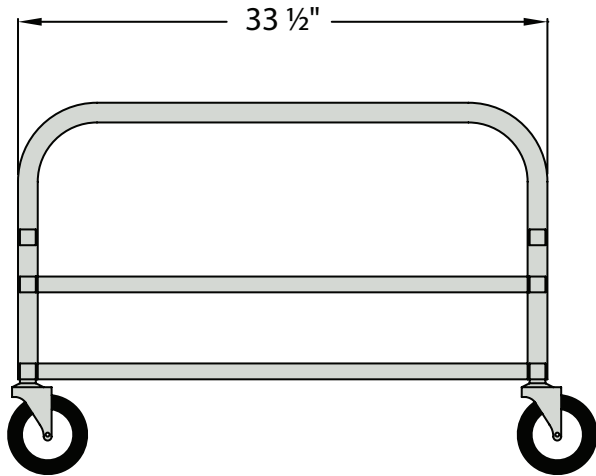
This information is for general sales and engineering use only. New Age Industrial reserves the right to modify or make changes at any time, without notice, to materials and specifications.

Project: \_\_\_\_\_

Item: \_\_\_\_\_

Quantity: \_\_\_\_\_

## Bulk Cart - Frame & Tubs



99273

### ► Bulk Cart • Frame & Tubs

Model No.		Size W-H-D	Ship Lbs.
<b>***** All Items Are Sold Separately *****</b>			
<b>a. 2¼ Bushel • 16.5 Gallon</b>			
99521	Dolly	20¼" x 33" x 26¼"	26
0300	Tub	19¼" x 13¾" x 26"	8
<b>b. 4 Bushel • 30 Gallon</b>			
99271	Dolly	21" x 28¼" x 30¼"	22
0381	Tub	21¼" x 15¾" x 32¾"	12
0381L	Lid	22½" x 2" x 34"	9
<b>c. 6 Bushel • 41 Gallon</b>			
99272	Dolly	22" x 25" x 29"	22
0363	Tub	23¼" x 20" x 32¼"	17
0363L	Lid	24½" x 2" x 33½"	6
<b>d. 8 Bushel • 57 Gallon</b>			
99273	Dolly	23¼" x 24" x 34½"	23
0360	Tub	24½" x 23" x 36¼"	23
0360L	Lid	25" x 2½" x 37½"	12.5
<b>e. 9 Bushel • 66 Gallon</b>			
99274	Dolly	27½" x 25" x 38¼"	26
0382	Tub	29½" x 19" x 41½"	27
0382L	Lid	29½" x 2½" x 41½"	10

Four 5" stem type casters.  
All carts with tubs are 36½" high.

**Options:**

**Caster Locks (2)** - Add "CL" suffix to model #.



Tubs & Lids Excluded From Guarantee.

New Age Industrial Corp., Inc. || [NewAgeIndustrial.com](http://NewAgeIndustrial.com) || Made in the USA

PO Box 520 • 16788 US Hwy 36 • Norton, Kansas 67654 || Phone: (800) 255-0104 • (785) 877-5121 || Fax: (877)-877-7687 • (785) 877-2616

This information is for general sales and engineering use only. New Age Industrial reserves the right to modify or make changes at any time, without notice, to materials and specifications.