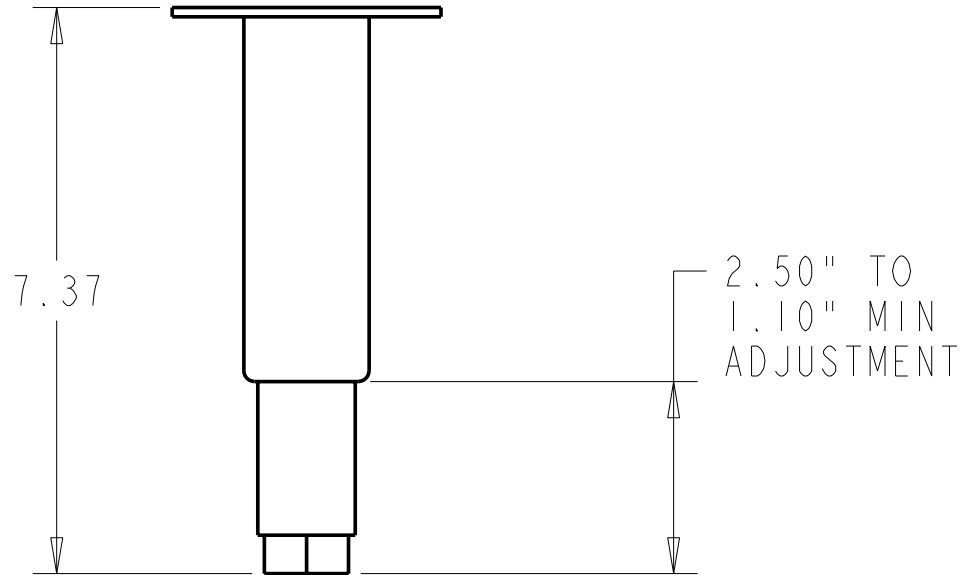
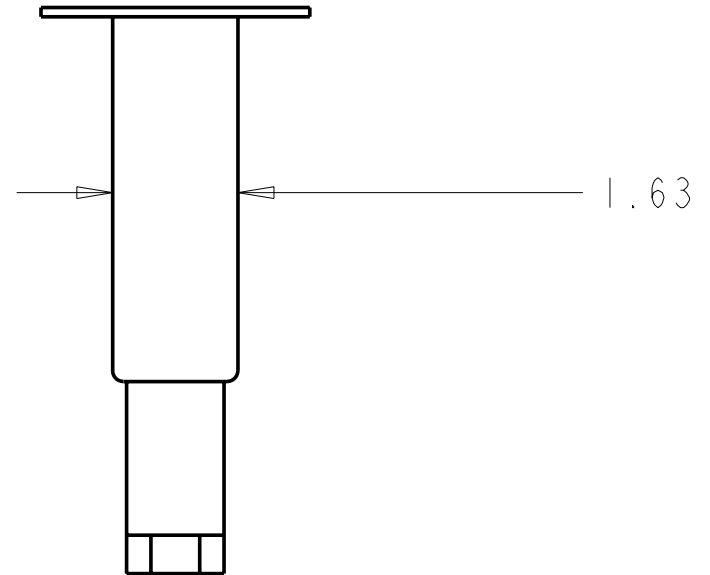


SCALE 0.250



SCALE 0.400



**HAND \* WARE- \* PLUMBING & \* COMMERCIAL \* COMPONENTS & SUPPLIES**  
**SINKS \* WASHING \* DRAINAGE \* EQUIPMENT**

MODEL #: BKL-1625-WP

DESCRIPTION: 1-5/8" x 6" S/S Removable Top Plate

MATERIAL:

DATE:

DRAFTER:

SCALE: 6"=1"-0"

APPROVED BY:

REVISIONS

DATE

**BK Resources**

1609 WEST WERNING AVE., SUITE D  
 EFFINGHAM, IL 62401  
 (888)310-4393 / FAX (888)310-4394  
 EMAIL: sales@bk-resources.com

VISIT OUR WEBSITE  
[www.bk-resources.com](http://www.bk-resources.com)

Dimensions subject to change without prior notification. This illustration is the exclusive property of BK Resources. It may not be distributed in any manner without the express consent of BK Resources