



300 VOLANO & 350 VOLANO

Standard Features

- Fully Manufactured in anodized aluminum with steel parts and baked enamel
- Manually Operated
- 9 positions for knob adjustment to cut slices from 0 – 3/32" thickness
- Built-in sharpener – consistently sharp knife edge



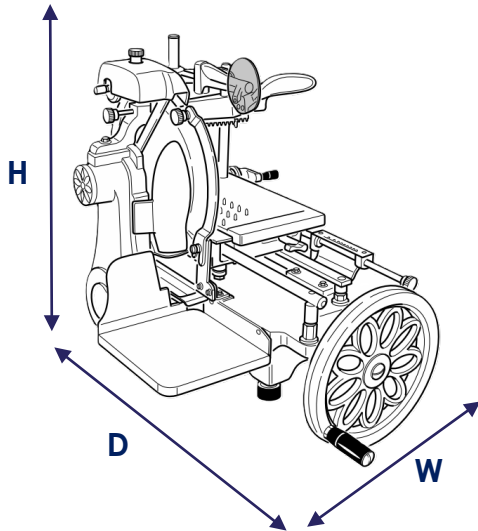
350 Volano
(Shown with
Optional F350 stand)



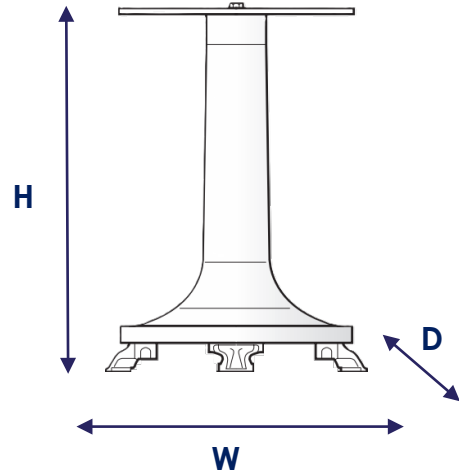
300 Volano

1-year parts and labor warranty (US Only)

350 VOLANO



F300 (Stand)



SPECIFICATIONS		
	300 VOLANO	350 VOLANO
Power	Manual	
Cut Thickness	0 to 3/32"	
Blade	12"	14"
Slicing Capacity	9" x 7.5"	10.6" x 9.5"
Slicer Net Weight (lbs)	100	179
Slicer Dimensions (WxDxH)	17" x 24" x 14.3"	29" x 20" x 14.3"
Slicer Shipping Weight (lbs)	120	200
Slicer Shipping Dim. (WxDxH)	33" x 37" x 33"	
Stand Net Weight	101.4 lbs (46 Kg)	116.8 lbs (53 Kg)
Stand Dimensions (WxDxH)	19.7" x 25.6" x 31.5" 50 x 65 x 80 cm	27.6" x 25.6" x 31.5" 70 x 65 x 80 cm
Stand Shipping Weight (lbs)	121.4	137
Stand Shipping Dim. (WxDxH)	13.3" x 15.8" x 29"	15.8" x 25.5" x 31.5"



Notes:

- Properly clean and dry after daily use to ensure best performance and equipment longevity.
- For proper use and optimum durability of moving parts, adequate lubrication must be maintained – RSPM040 Lubricant

AMPTO is continuously improving products. Specifications are subject to change without notice.