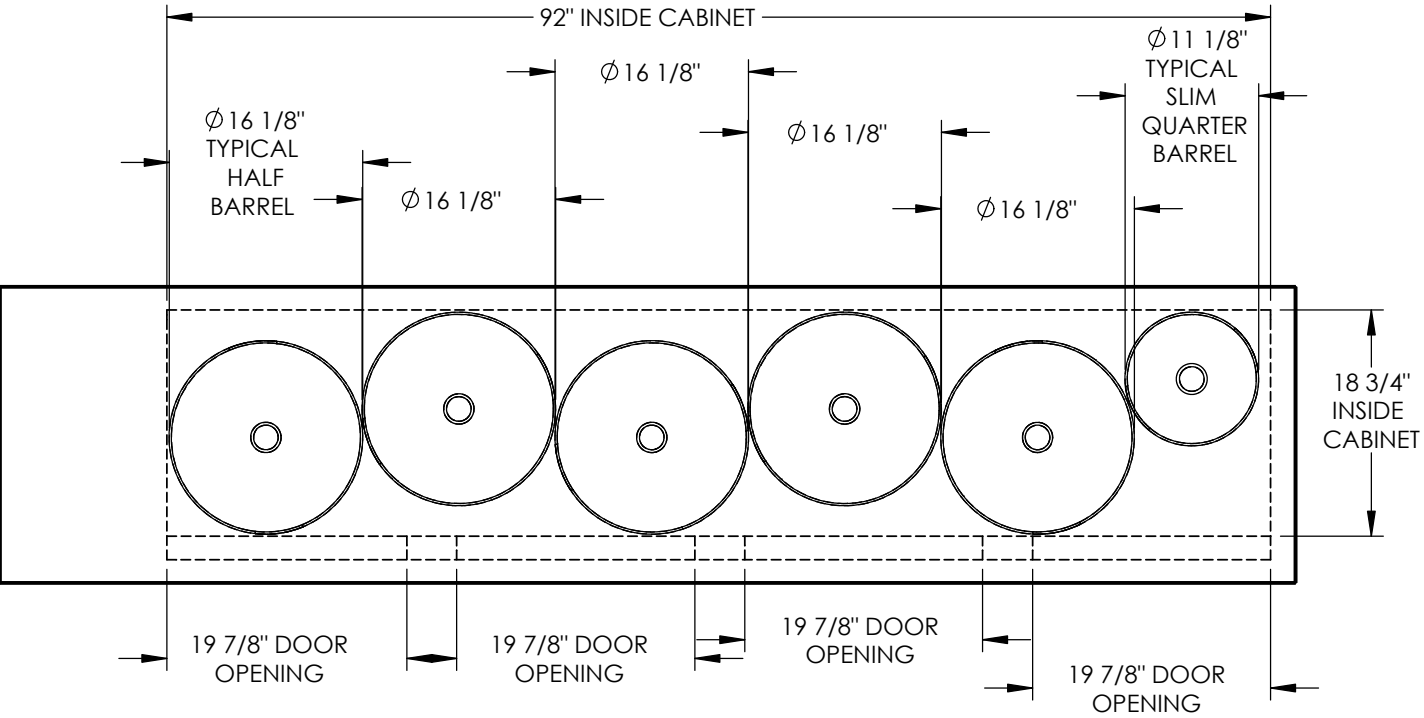
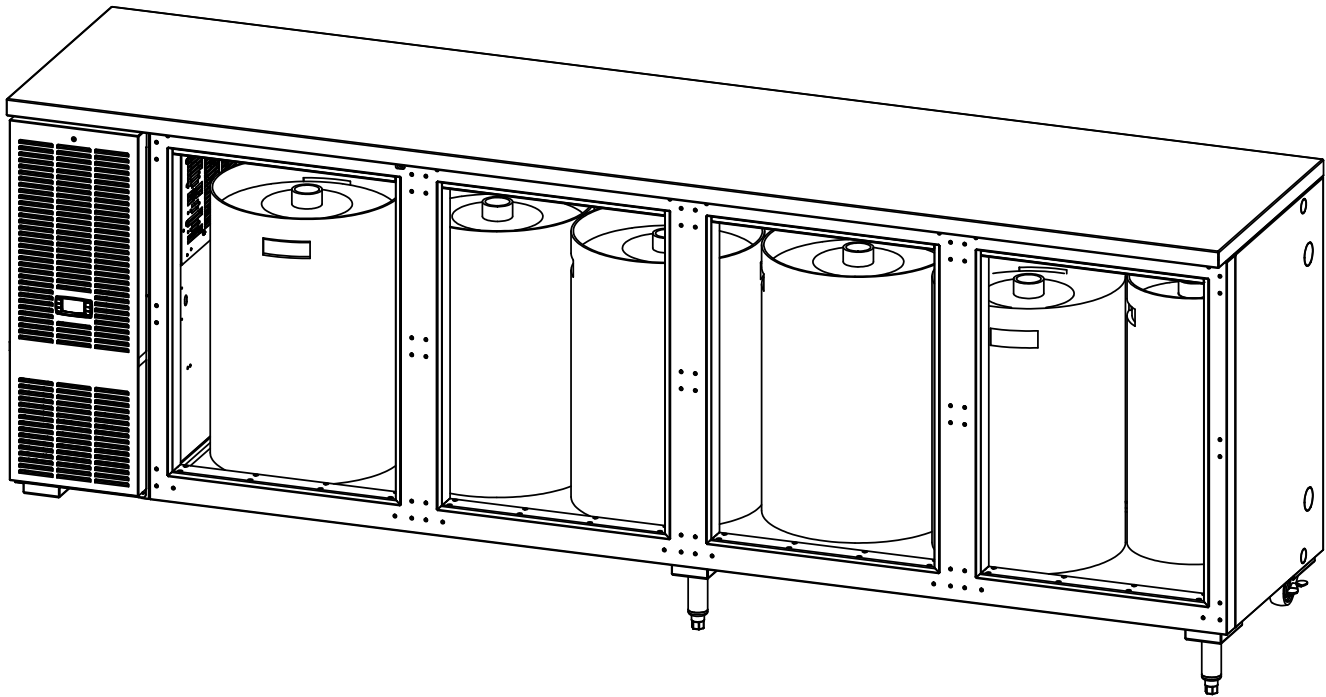


KEG CAPACITY OF STANDARD 4 DOOR CABINETS (5 HALF BARRELS, 1 SLIM QUARTER BARREL)



- NOTES:
1. KEG CAPACITY DIAGRAM IS SHOW FOR MAXIMUM CABINET SPACE ONLY. CUSTOMER TO DETERMINE OPTIMUM PLACEMENT OF DIFFERENT KEG SIZES.
 2. 1/8" SPACING WAS USED BETWEEN KEGS AND INSIDE CABINET FOR KEG DIA TOLARACE AND FIT UP.
 3. REFERANCE ASSEMBLY # IS: BBS108



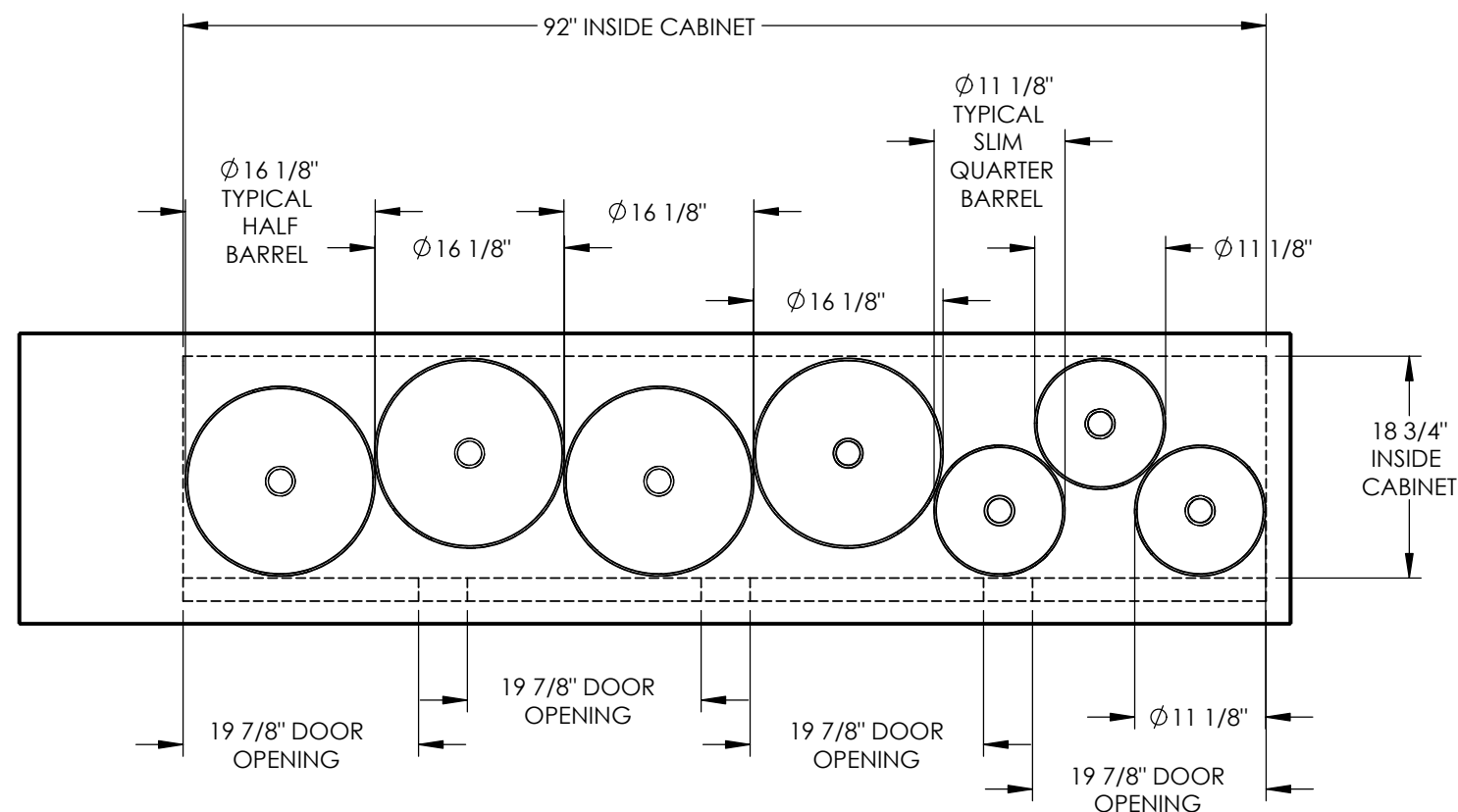
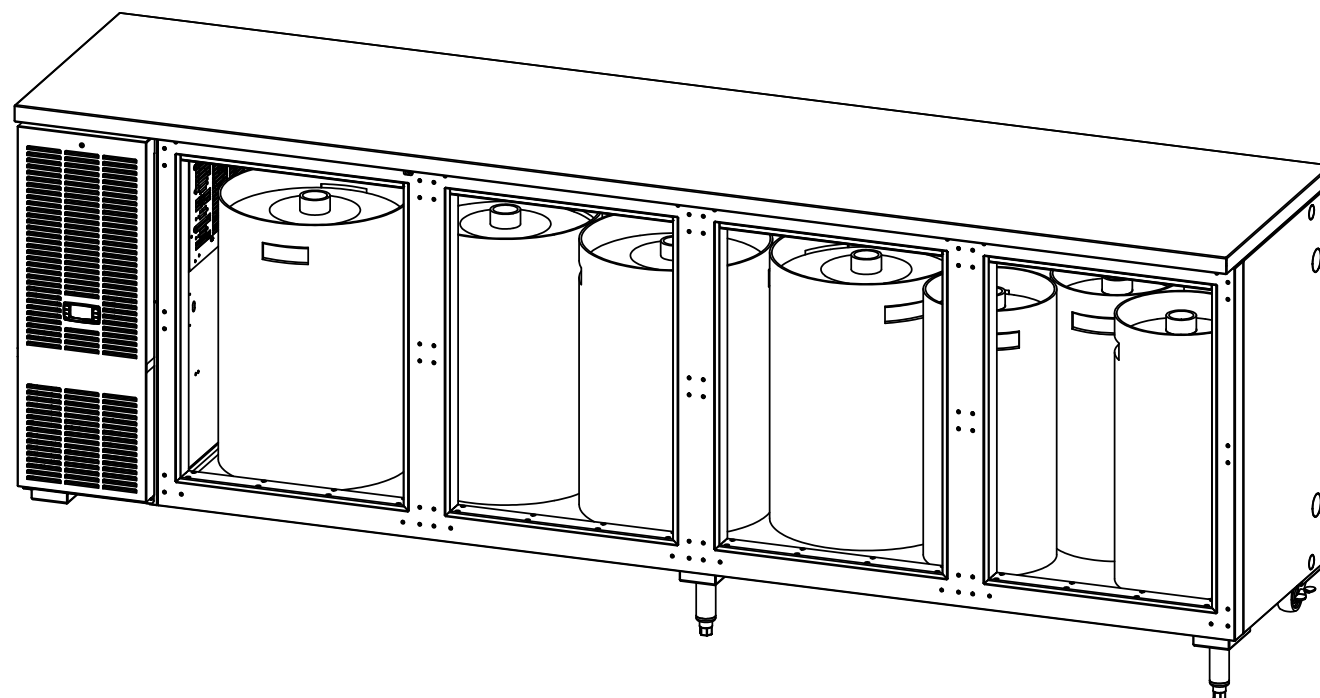
PERLICK CORPORATION
MILWAUKEE, WI 53223

PROPERTY OF THE PERLICK CORP.
NOT TO BE COPIED OR USED DETRIMENTAL TO OUR INTERESTS

SCALE:	1:16
DR.: TJZ	DATE: 5/14/13
95145	
SHEET 1 OF 12	

PRINTED
5/22/2013

KEG CAPACITY OF STANDARD 4 DOOR CABINETS (4 HALF BARRELS, 3 SLIM QUARTER BARRELS)



NOTES:

1. KEG CAPACITY DIAGRAM IS SHOW FOR MAXIMUM CABINET SPACE ONLY. CUSTOMER TO DETERMINE OPTIMUM PLACEMENT OF DIFFERENT KEG SIZES.
2. 1/8" SPACING WAS USED BETWEEN KEGS AND INSIDE CABINET FOR KEG DIA TOLERACE AND FIT UP.
3. REFERANCE ASSEMBLY # IS: BBS108



PERLICK CORPORATION
MILWAUKEE, WI 53223

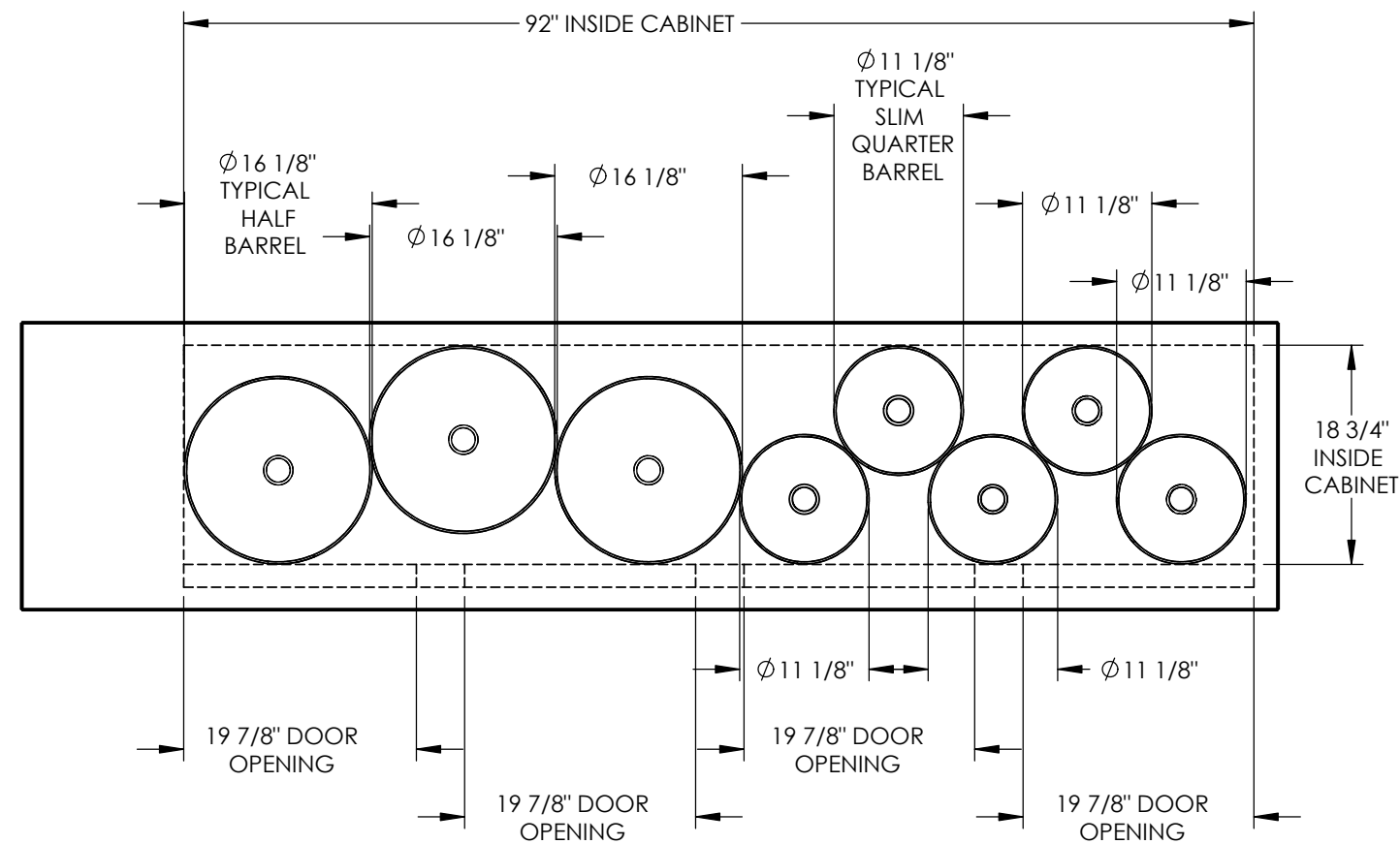
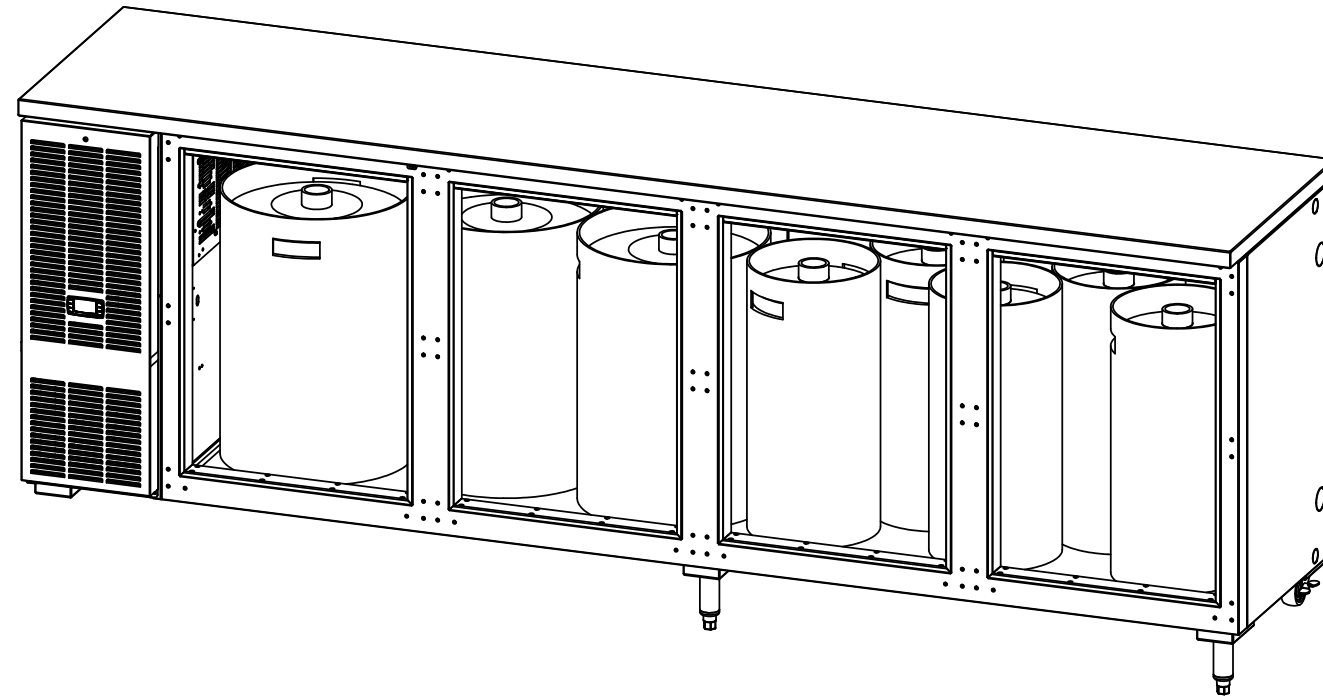
PROPERTY OF THE PERLICK CORP.
NOT TO BE COPIED OR USED DETRIMENTAL TO OUR INTERESTS

SCALE: 1:16
DR.: TJZ DATE: 5/14/13

PRINTED
5/22/2013

95145
SHEET 2 OF 12

KEG CAPACITY OF STANDARD 4 DOOR CABINETS (3 HALF BARRELS, 5 SLIM QUARTER BARRELS)



NOTES:

1. KEG CAPACITY DIAGRAM IS SHOW FOR MAXIMUM CABINET SPACE ONLY. CUSTOMER TO DETERMINE OPTIMUM PLACEMENT OF DIFFERENT KEG SIZES.
2. 1/8" SPACING WAS USED BETWEEN KEGS AND INSIDE CABINET FOR KEG DIA TOLERACE AND FIT UP.
3. REFERANCE ASSEMBLY # IS: BBS108



PERLICK CORPORATION
MILWAUKEE, WI 53223

PROPERTY OF THE PERLICK CORP.
NOT TO BE COPIED OR USED DETRIMENTAL TO OUR INTERESTS

SCALE: 1:16

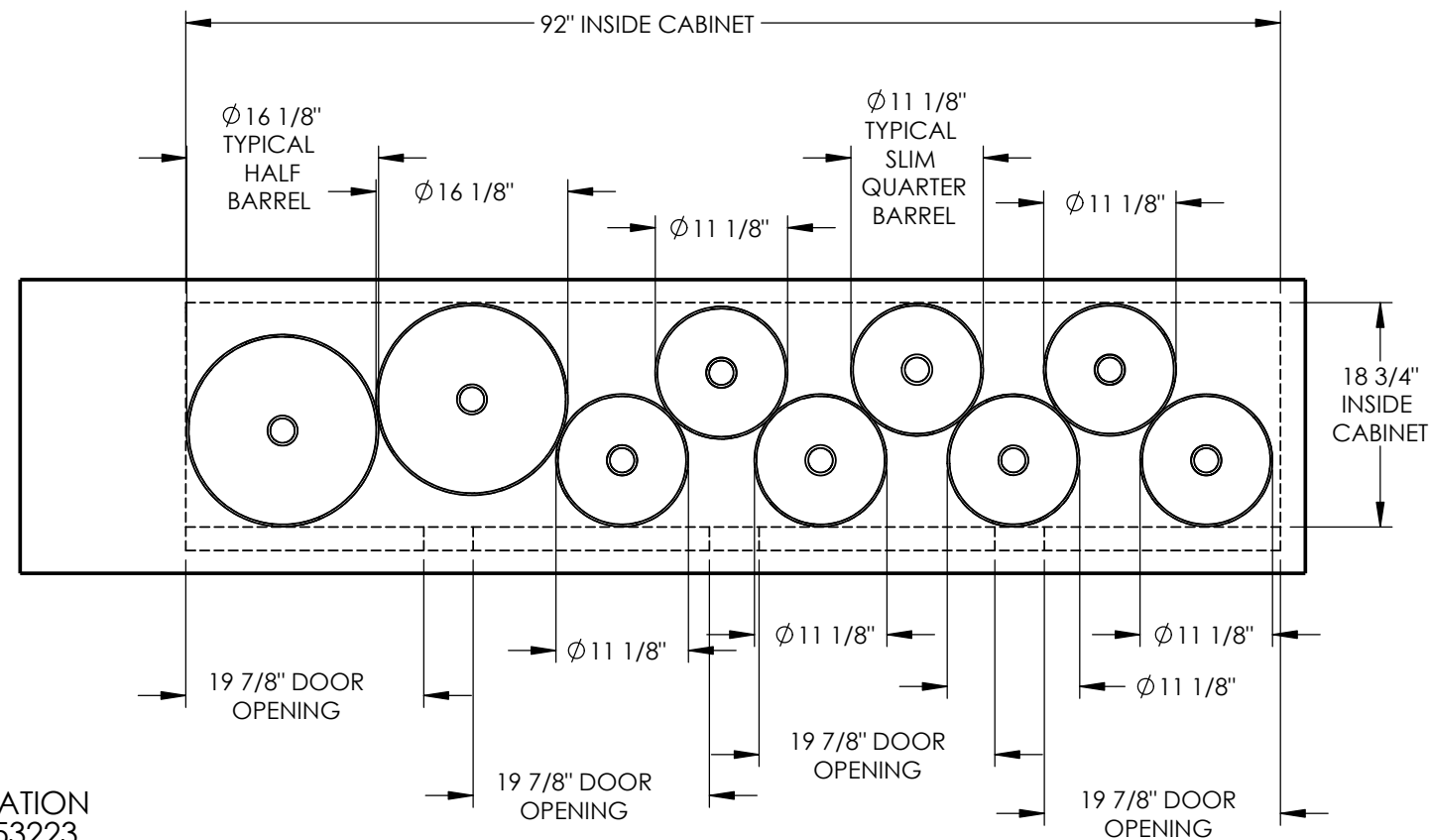
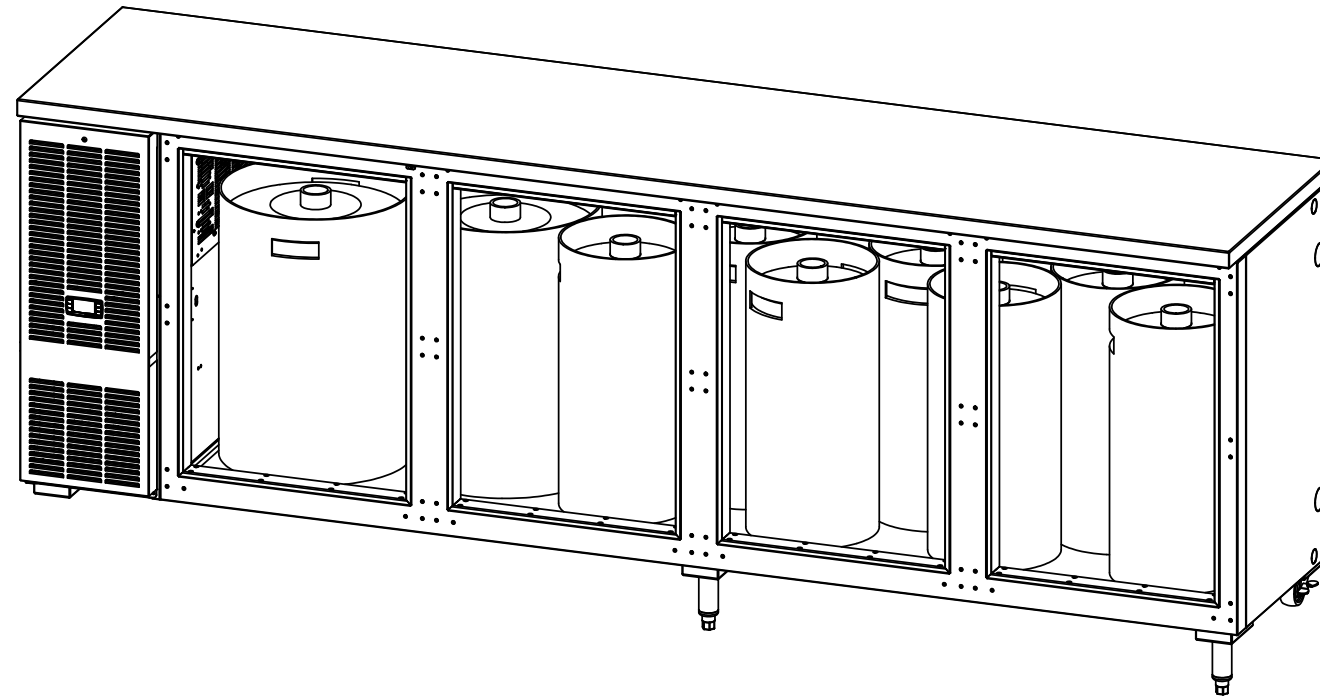
DR.: TJZ DATE: 5/14/13

95145

SHEET 3 OF 12

PRINTED
5/22/2013

KEG CAPACITY OF STANDARD 4 DOOR CABINETS (2 HALF BARRELS, 7 SLIM QUARTER BARRELS)



NOTES:

1. KEG CAPACITY DIAGRAM IS SHOW FOR MAXIMUM CABINET SPACE ONLY. CUSTOMER TO DETERMINE OPTIMUM PLACEMENT OF DIFFERENT KEG SIZES.
2. 1/8" SPACING WAS USED BETWEEN KEGS AND INSIDE CABINET FOR KEG DIA TOLERACE AND FIT UP.
3. REFERANCE ASSEMBLY # IS: BBS108



PERLICK CORPORATION
MILWAUKEE, WI 53223

PROPERTY OF THE PERLICK CORP.
NOT TO BE COPIED OR USED DETRIMENTAL TO OUR INTERESTS

SCALE: 1:16

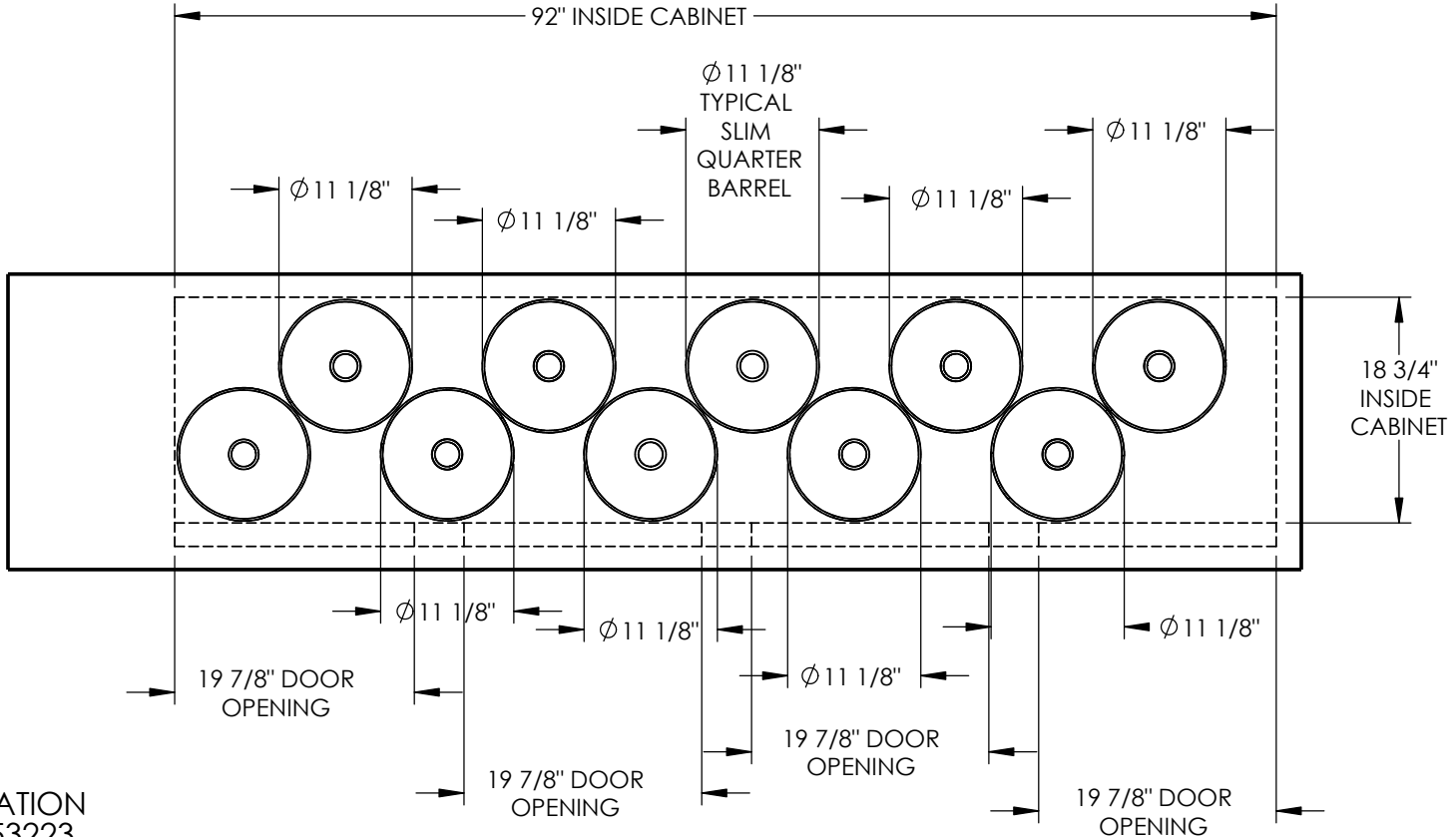
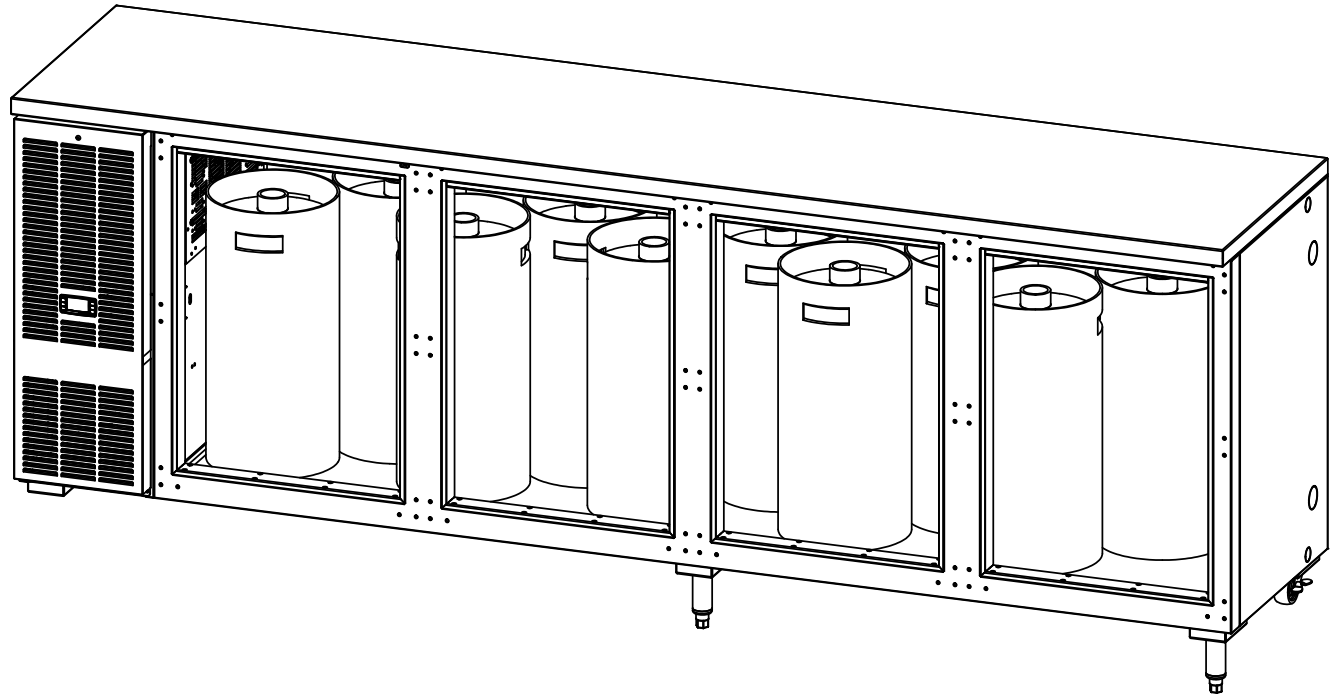
DR.: TJZ DATE: 5/14/13

PRINTED
5/22/2013

95145

SHEET 4 OF 12

KEG CAPACITY OF STANDARD 4 DOOR CABINETS (10 SLIM QUARTER BARRELS)



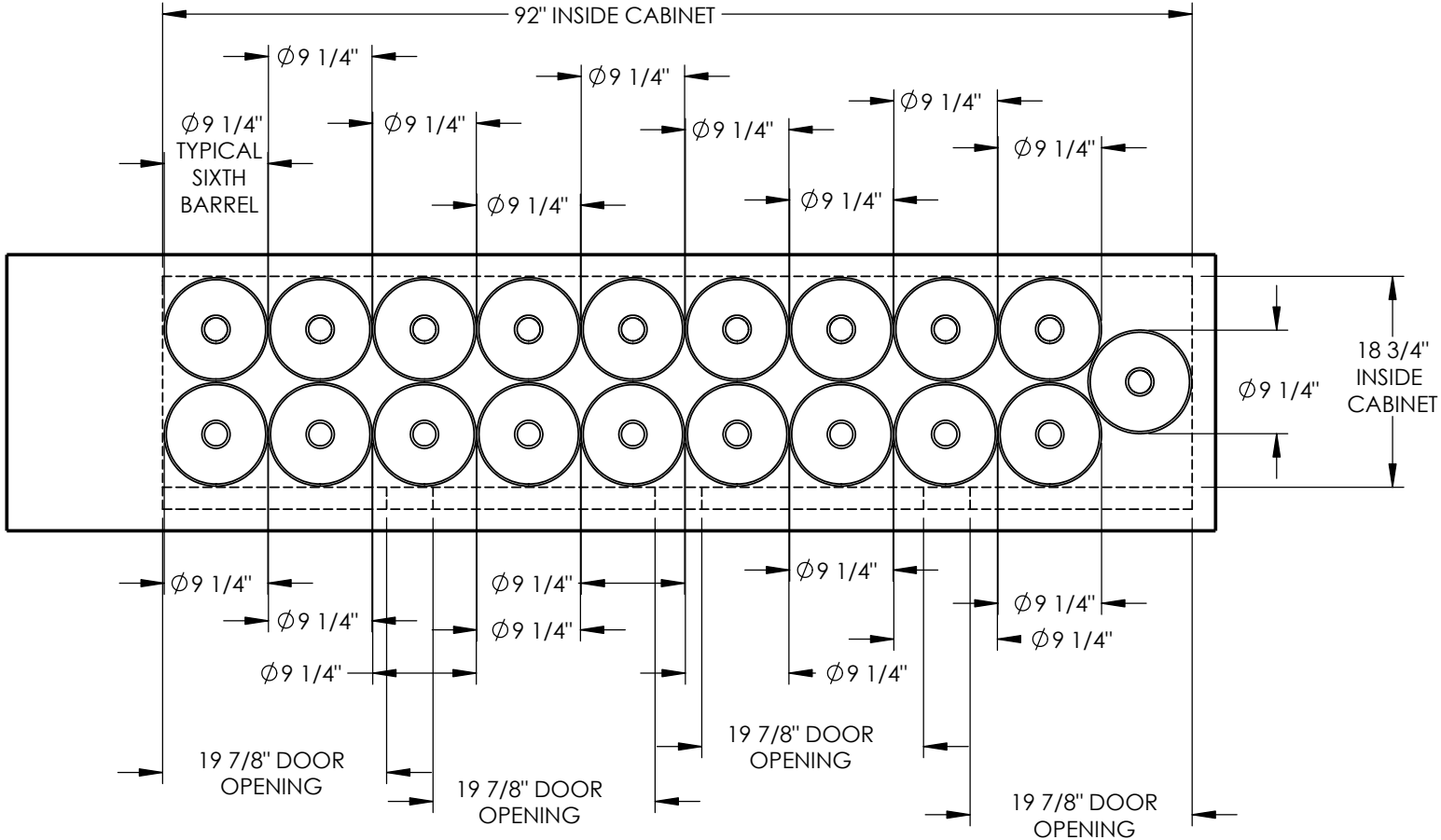
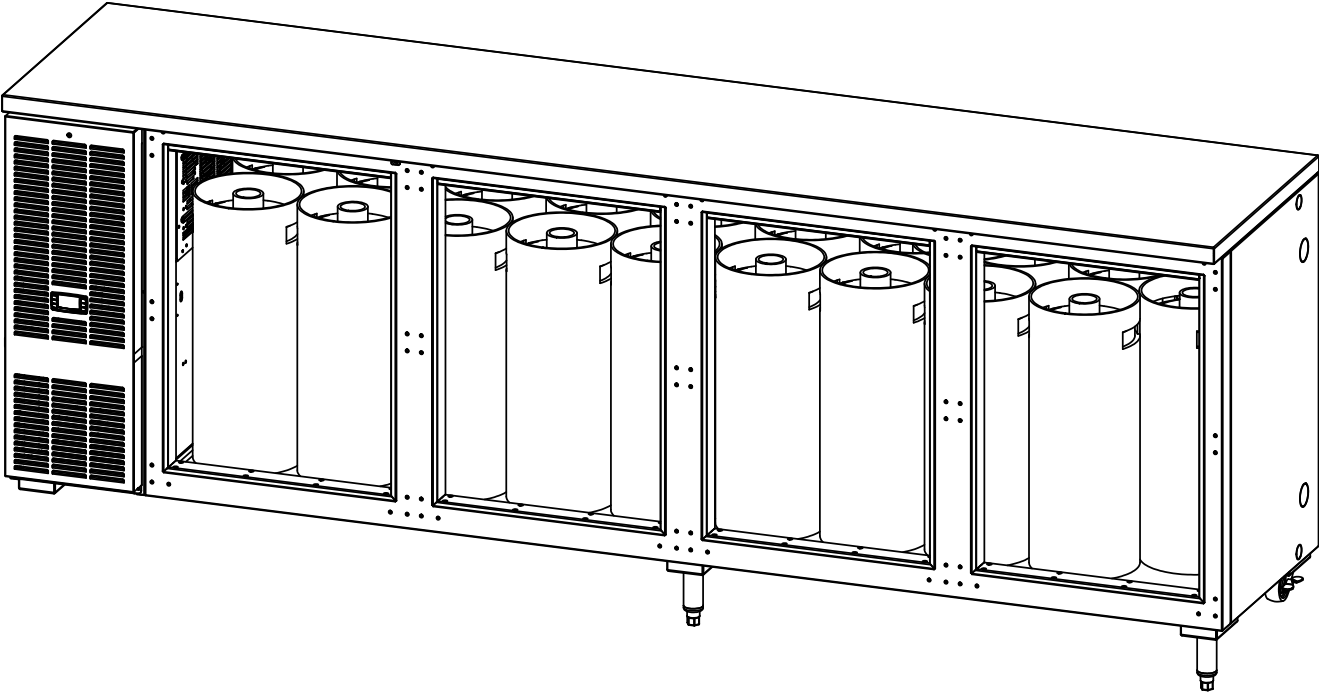
- NOTES:
1. KEG CAPACITY DIAGRAM IS SHOW FOR MAXIMUM CABINET SPACE ONLY. CUSTOMER TO DETERMINE OPTIMUM PLACEMENT OF DIFFERENT KEG SIZES.
 2. 1/8" SPACING WAS USED BETWEEN KEGS AND INSIDE CABINET FOR KEG DIA TOLERACE AND FIT UP.
 3. REFERANCE ASSEMBLY # IS: BBS108



PERLICK CORPORATION
MILWAUKEE, WI 53223
PROPERTY OF THE PERLICK CORP.
NOT TO BE COPIED OR USED DETRIMENTAL TO OUR INTERESTS

SCALE:	1:16
DR.:	TJZ DATE: 5/14/13
95145	
PRINTED 5/22/2013	SHEET 5 OF 12

KEG CAPACITY OF STANDARD 4 DOOR CABINETS (19 SIXTH BARRELS)



- NOTES:
1. KEG CAPACITY DIAGRAM IS SHOW FOR MAXIMUM CABINET SPACE ONLY. CUSTOMER TO DETERMINE OPTIMUM PLACEMENT OF DIFFERENT KEG SIZES.
 2. 1/16" SPACING WAS USED BETWEEN KEGS AND INSIDE CABINET FOR KEG DIA TOLERACE AND BEST FIT UP.
 3. REFERANCE ASSEMBLY # IS: BBS108



PERLICK CORPORATION
MILWAUKEE, WI 53223

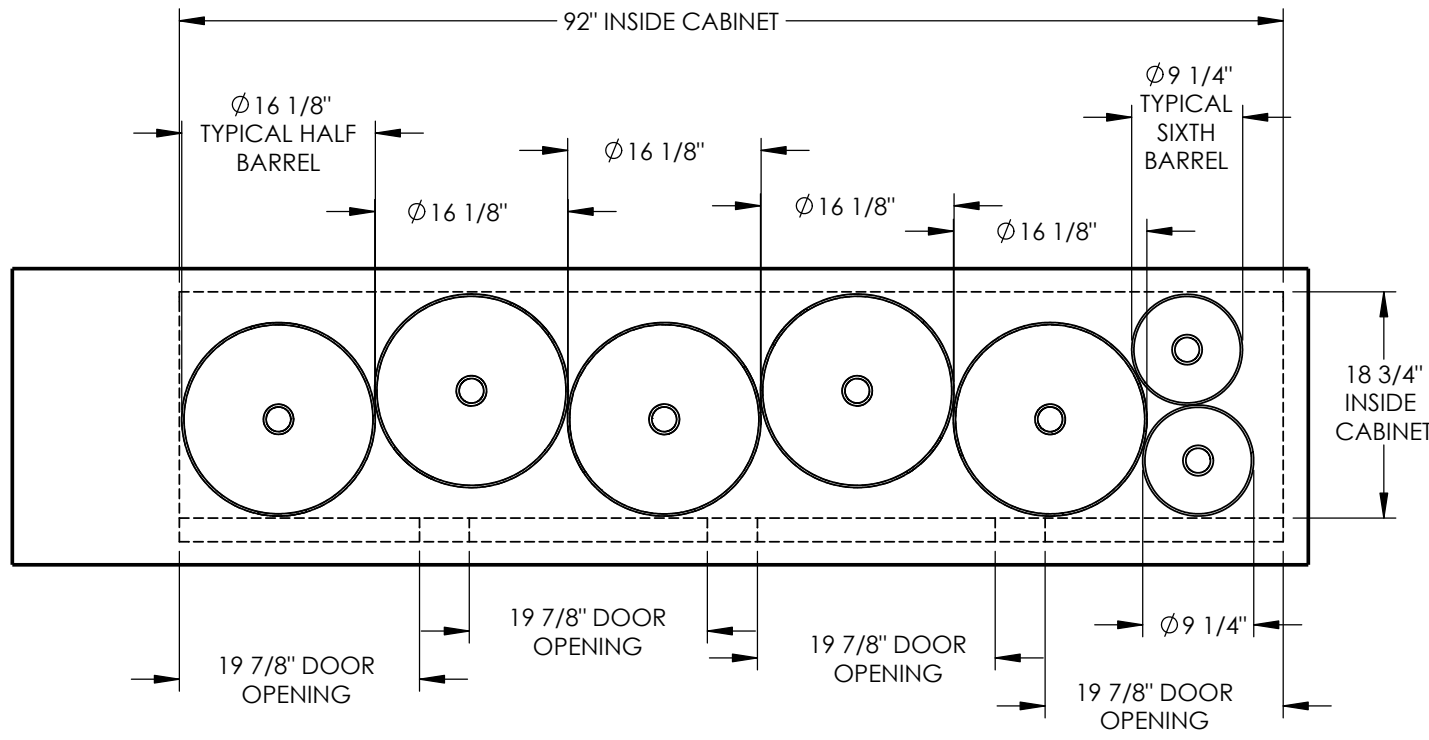
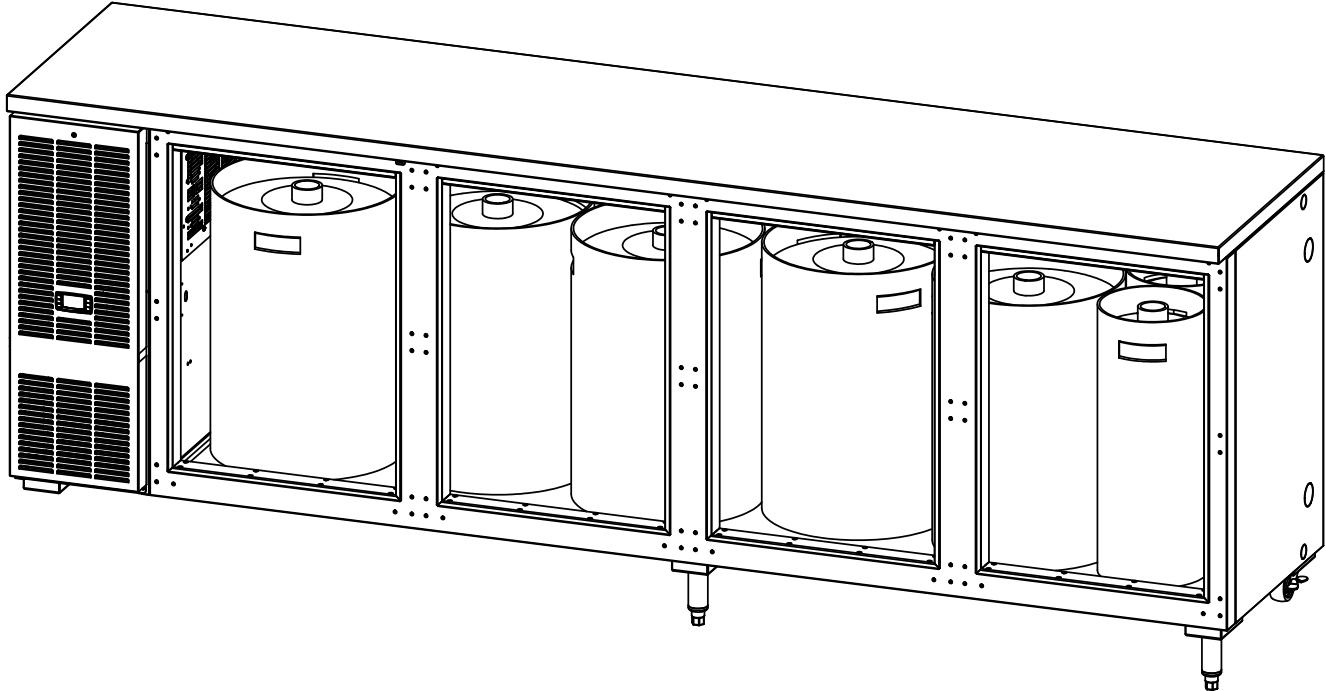
PROPERTY OF THE PERLICK CORP.
NOT TO BE COPIED OR USED DETRIMENTAL TO OUR INTERESTS

SCALE: 1:16
DR.: TJZ DATE: 5/14/13

PRINTED
5/22/2013

95145
SHEET 6 OF 12

KEG CAPACITY OF STANDARD 4 DOOR CABINETS (5 HALF BARRELS, 2 SIXTH BARRELS)



- NOTES:
1. KEG CAPACITY DIAGRAM IS SHOW FOR MAXIMUM CABINET SPACE ONLY. CUSTOMER TO DETERMINE OPTIMUM PLACEMENT OF DIFFERENT KEG SIZES.
 2. 1/8" SPACING WAS USED BETWEEN KEGS AND INSIDE CABINET FOR KEG DIA TOLERACE AND FIT UP.
 3. REFERANCE ASSEMBLY # IS: BBS108



PERLICK CORPORATION
MILWAUKEE, WI 53223

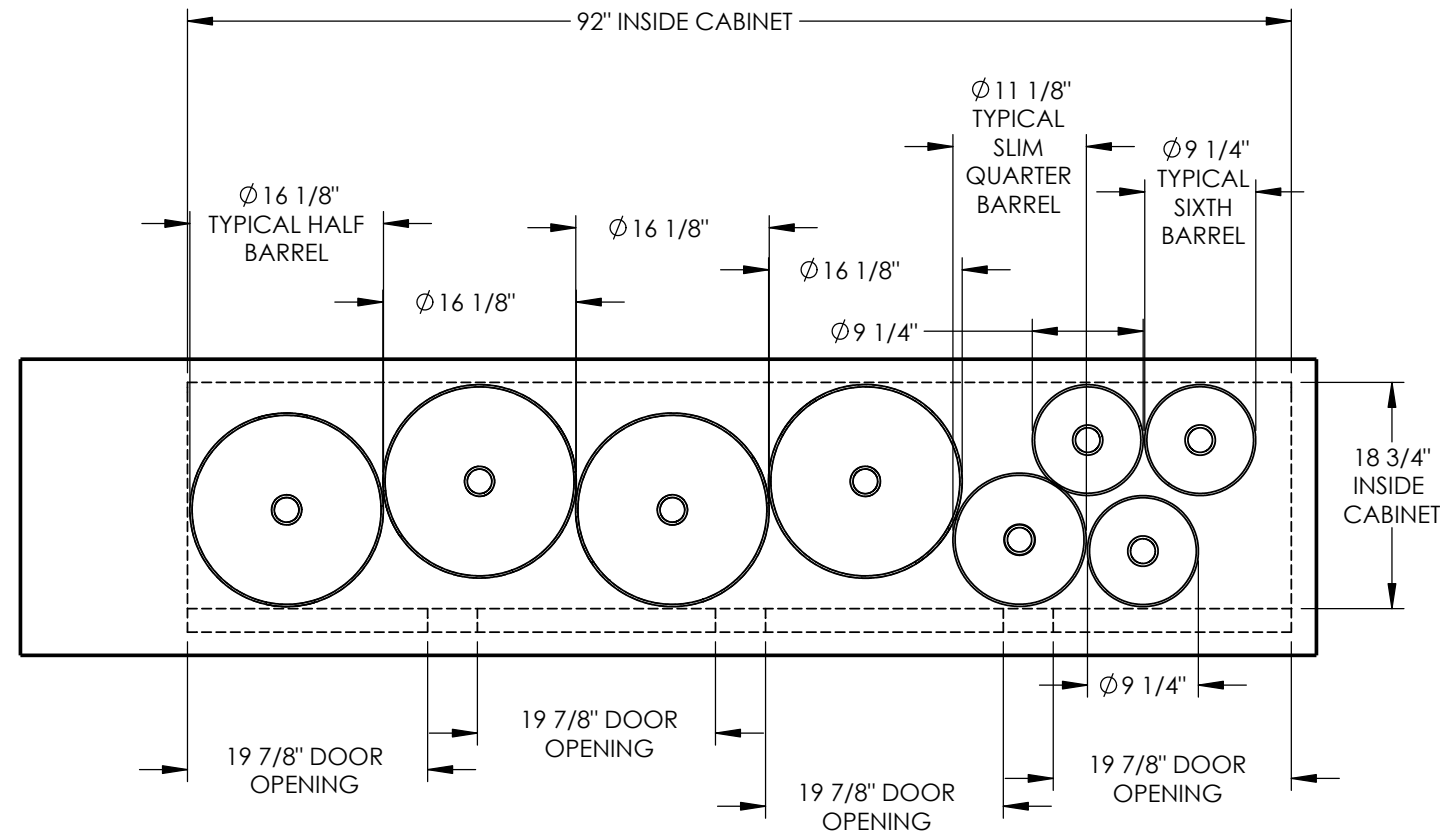
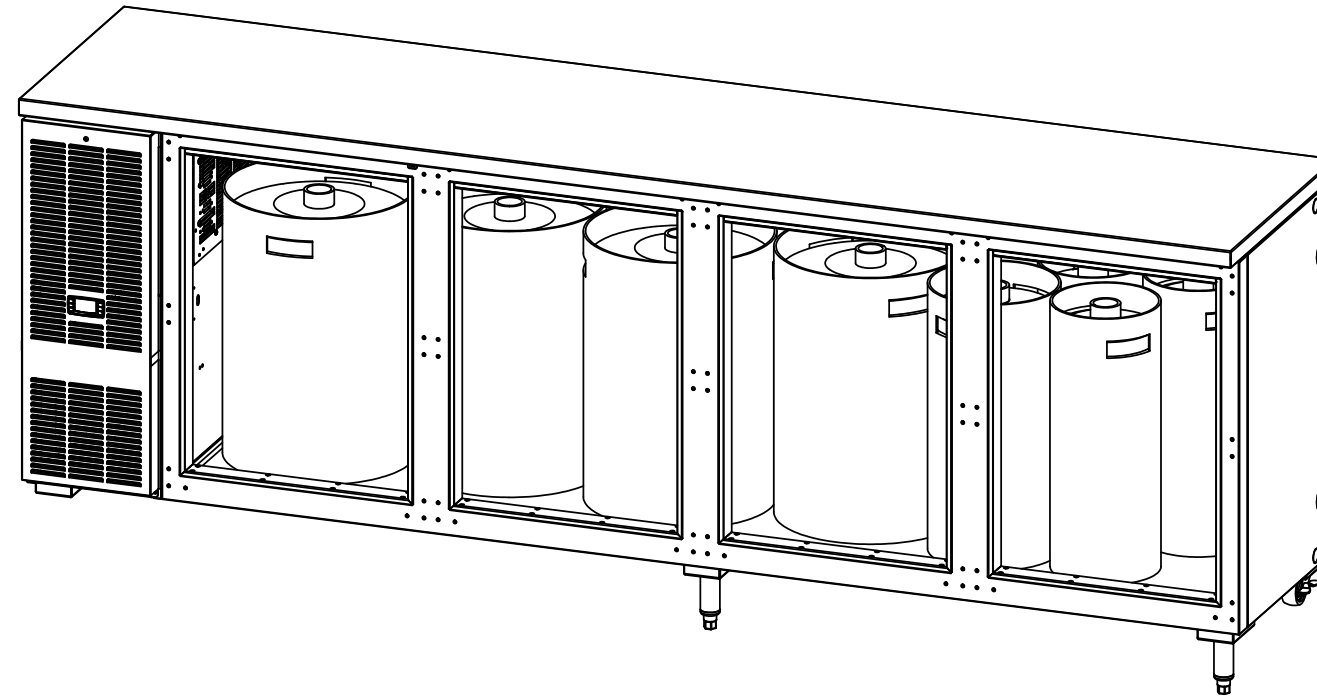
PROPERTY OF THE PERLICK CORP.
NOT TO BE COPIED OR USED DETRIMENTAL TO OUR INTERESTS

SCALE: 1:16
DR.: TJZ DATE: 5/14/13

PRINTED
5/22/2013

95145
SHEET 7 OF 12

KEG CAPACITY OF STANDARD 4 DOOR CABINETS (4 HALF BARRELS, 1 SLIM QUARTER BARREL, 3 SIXTH BARRELS)



NOTES:

1. KEG CAPACITY DIAGRAM IS SHOW FOR MAXIMUM CABINET SPACE ONLY. CUSTOMER TO DETERMINE OPTIMUM PLACEMENT OF DIFFERENT KEG SIZES.
2. 1/8" SPACING WAS USED BETWEEN KEGS AND INSIDE CABINET FOR KEG DIA TOLERACE AND FIT UP.
3. REFERENCE ASSEMBLY # IS: BBS108



PERLICK CORPORATION
MILWAUKEE, WI 53223

PROPERTY OF THE PERLICK CORP.
NOT TO BE COPIED OR USED DETRIMENTAL TO OUR INTERESTS

SCALE: 1:16

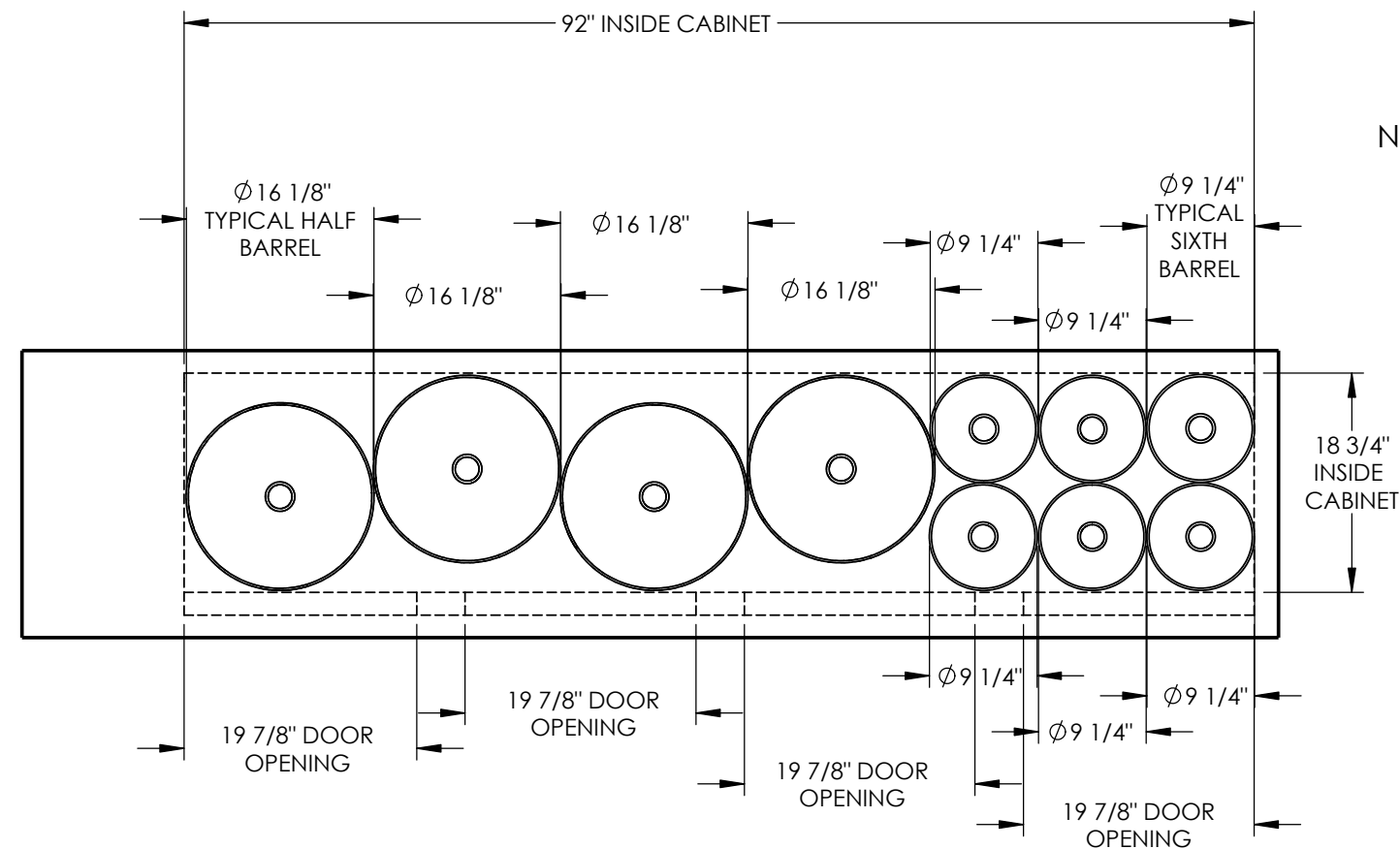
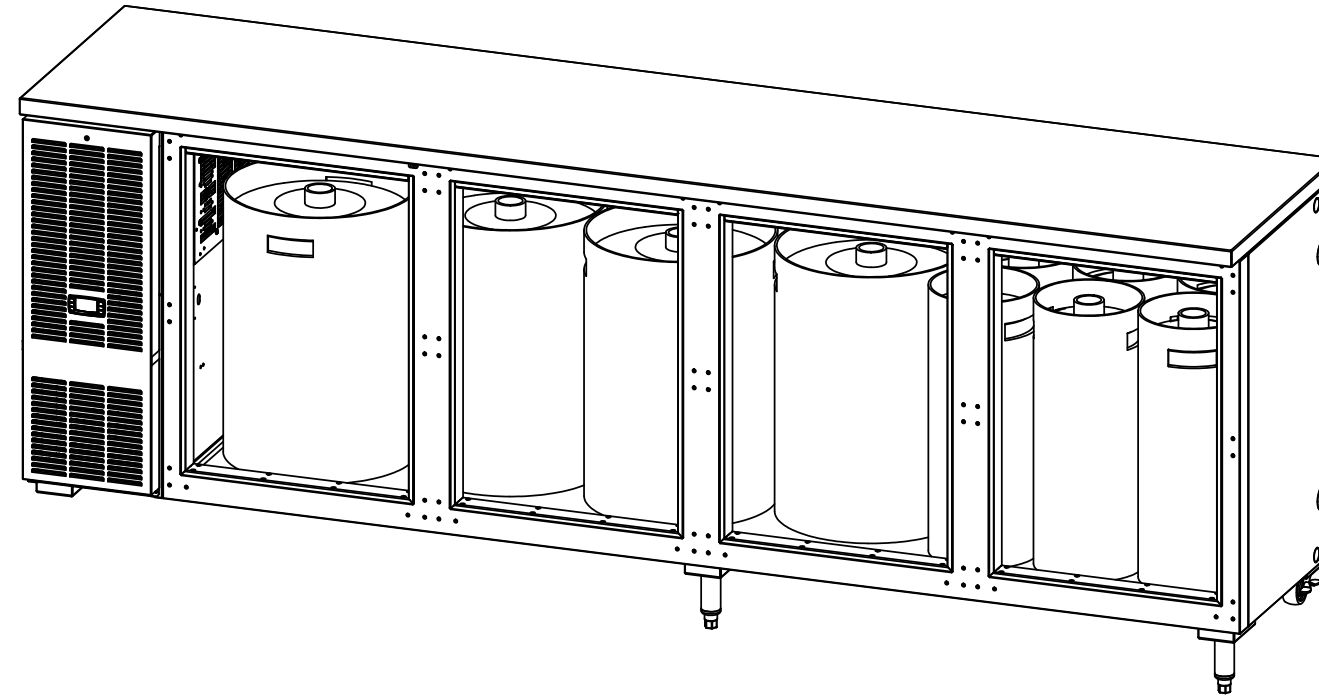
DR.: TJZ DATE: 5/14/13

PRINTED
5/22/2013

95145

SHEET 8 OF 12

KEG CAPACITY OF STANDARD 4 DOOR CABINETS (4 HALF BARRELS, 6 SIXTH BARRELS)



NOTES:

1. KEG CAPACITY DIAGRAM IS SHOW FOR MAXIMUM CABINET SPACE ONLY. CUSTOMER TO DETERMINE OPTIMUM PLACEMENT OF DIFFERENT KEG SIZES.
2. 1/8" SPACING WAS USED BETWEEN KEGS AND INSIDE CABINET FOR KEG DIA TOLERACE AND FIT UP.
3. REFERANCE ASSEMBLY # IS: BBS108



PERLICK CORPORATION
MILWAUKEE, WI 53223

PROPERTY OF THE PERLICK CORP.
NOT TO BE COPIED OR USED DETRIMENTAL TO OUR INTERESTS

SCALE: 1:16

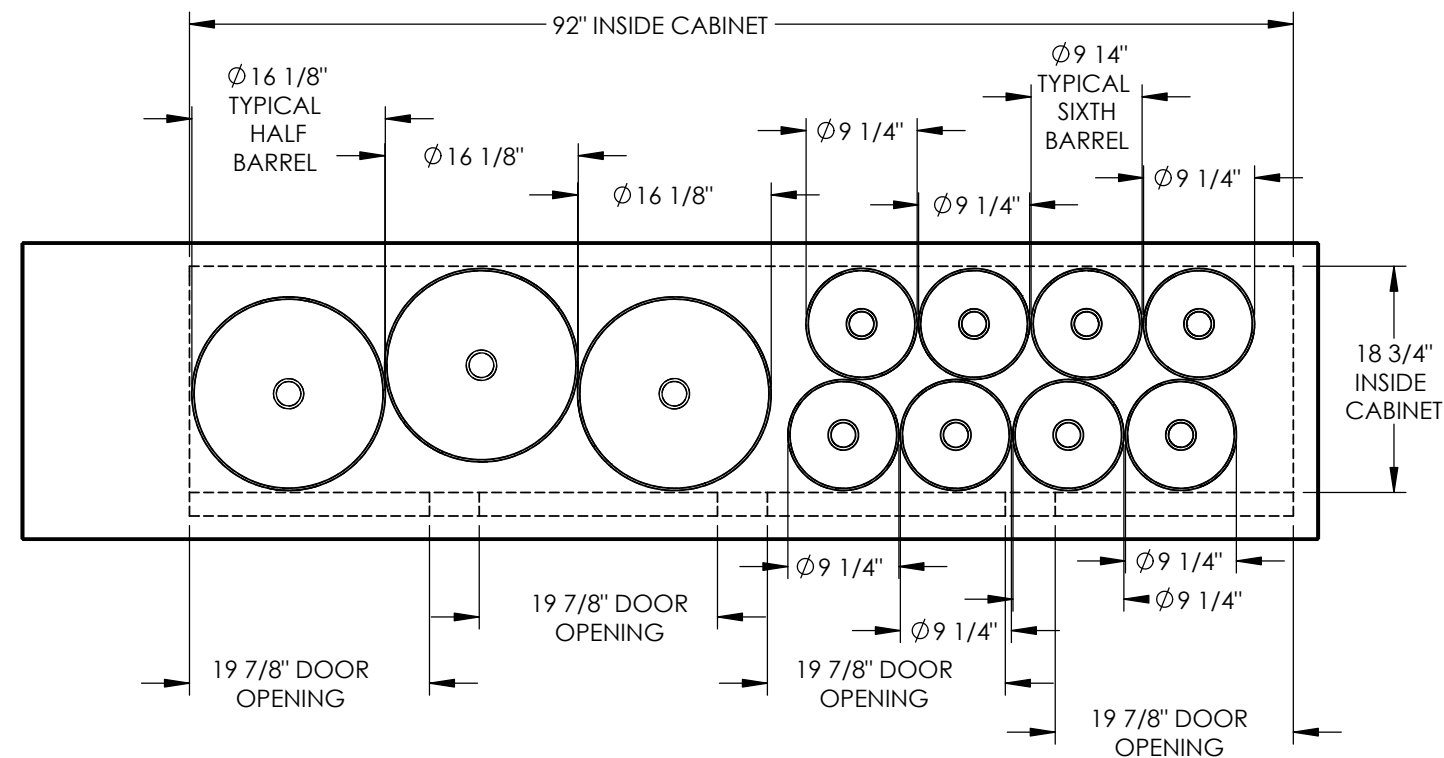
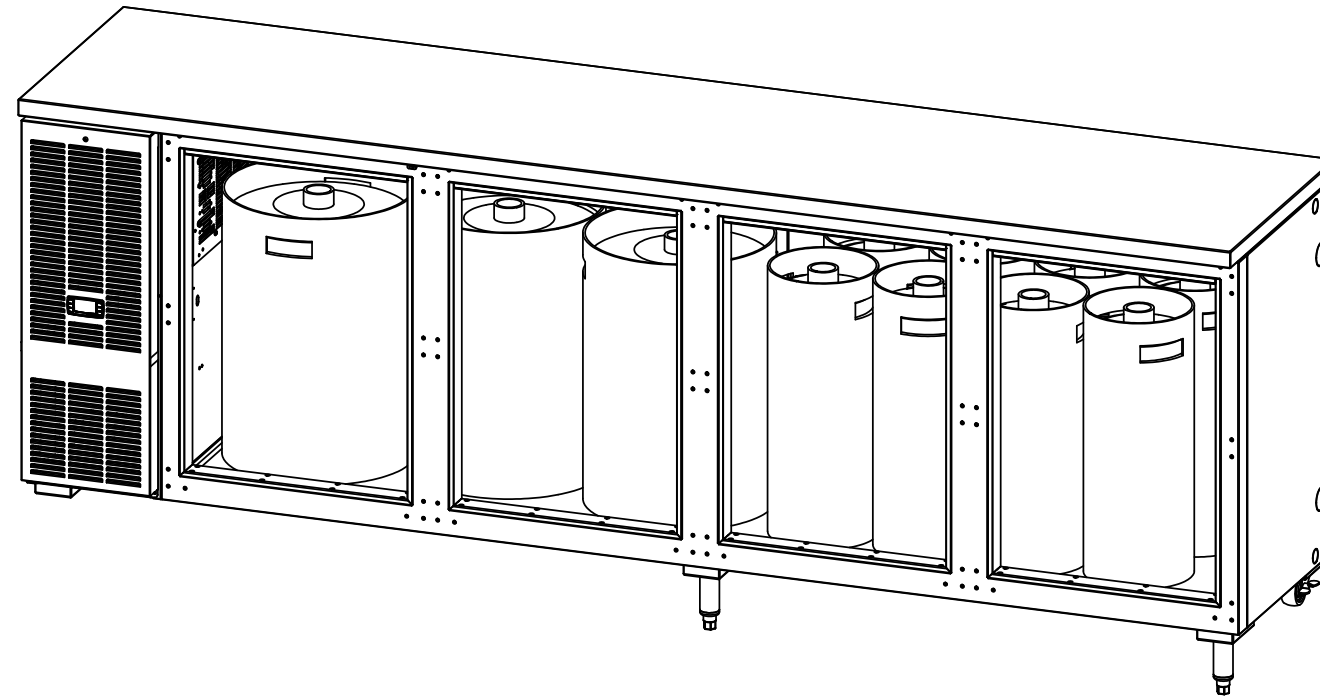
DR.: TJZ DATE: 5/14/13

PRINTED
5/22/2013

95145

SHEET 9 OF 12

KEG CAPACITY OF STANDARD 4 DOOR CABINETS (3 HALF BARRELS, 8 SIXTH BARRELS)



NOTES:

1. KEG CAPACITY DIAGRAM IS SHOW FOR MAXIMUM CABINET SPACE ONLY. CUSTOMER TO DETERMINE OPTIMUM PLACEMENT OF DIFFERENT KEG SIZES.
2. 1/8" SPACING WAS USED BETWEEN KEGS AND INSIDE CABINET FOR KEG DIA TOLERACE AND FIT UP.
3. REFERANCE ASSEMBLY # IS: BBS108



PERLICK CORPORATION
MILWAUKEE, WI 53223

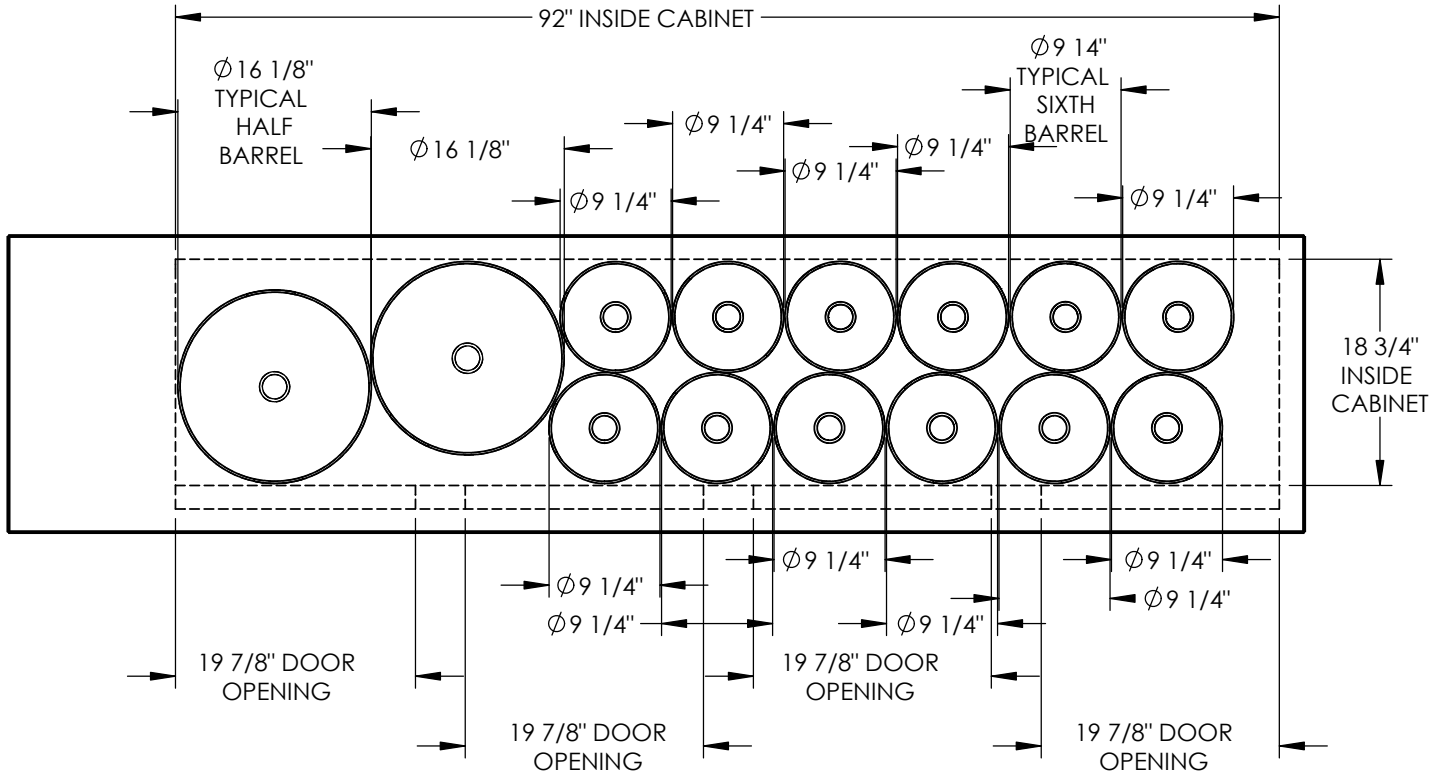
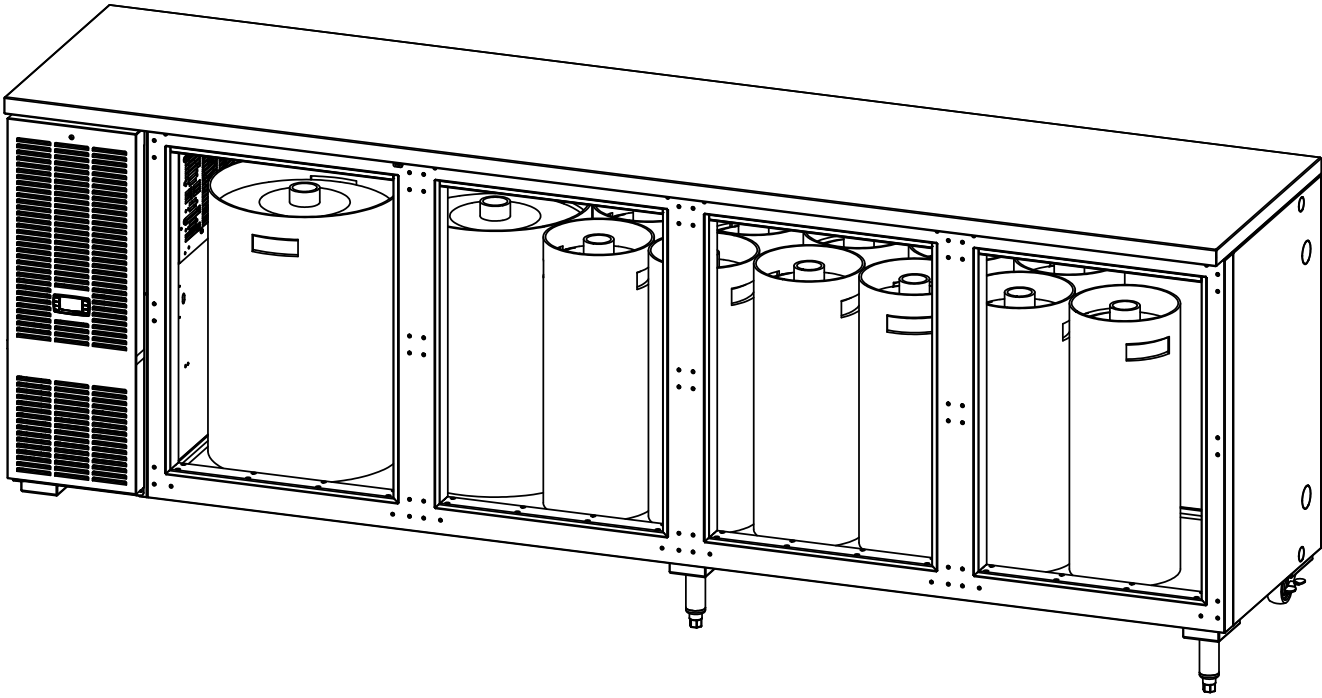
PROPERTY OF THE PERLICK CORP.
NOT TO BE COPIED OR USED DETRIMENTAL TO OUR INTERESTS

SCALE: 1:16
DR.: TJZ DATE: 5/14/13

PRINTED
5/22/2013

95145
SHEET 10 OF 12

KEG CAPACITY OF STANDARD 4 DOOR CABINETS (2 HALF BARRELS, 12 SIXTH BARRELS)



- NOTES:
1. KEG CAPACITY DIAGRAM IS SHOW FOR MAXIMUM CABINET SPACE ONLY. CUSTOMER TO DETERMINE OPTIMUM PLACEMENT OF DIFFERENT KEG SIZES.
 2. 1/8" SPACING WAS USED BETWEEN KEGS AND INSIDE CABINET FOR KEG DIA TOLERACE AND FIT UP.
 3. REFERANCE ASSEMBLY # IS: BBS108



PERLICK CORPORATION
MILWAUKEE, WI 53223
PROPERTY OF THE PERLICK CORP.
NOT TO BE COPIED OR USED DETRIMENTAL TO OUR INTERESTS

SCALE: 1:16
DR.: TJZ DATE: 5/14/13

PRINTED
5/22/2013

95145
SHEET 11 OF 12

