



Profit from the Eagle Advantage®

Specification Sheet

Short Form Specifications

Eagle Cutting Table with Flat Top, model _____. Top to be 1½" square stainless steel tubular frame with ½" thick removable polymer top pieces. 1½" O.D. stainless steel tubular legs with stainless steel crossrails and adjustable bullet feet.

Eagle Cutting Table with Backsplash, model _____. Top to be 1½" square stainless steel tubular frame with ½" thick removable polymer top pieces, and 4½"-high removable backsplash. 1½" O.D. stainless steel tubular legs with stainless steel crossrails and adjustable bullet feet.



cutting table with flat top

Options / Accessories

- Casters *
- Stainless steel bullet feet
- Undershelf **
- All-welded construction ***
- Boat rack
- Drawer assemblies**** / Drawer support angles ****

* For optional 4" resilient-tread casters, add suffix "-CA". Example: CT2460S-CA
 For optional 5" resilient-tread casters, add suffix "-CAH". Example: CT2460S-CAH
 ** For optional stainless steel undershelf, add suffix "-US". Example: CT3072S-US
 *** For optional all-welded construction, add suffix "-AW". Example: CT3084S-AW
 **** See spec sheet #EG10.13 for Drawer Assemblies available.
 For optional Drawer Assemblies, Drawer Support Angles are required:
 - For 24"-wide tables with flat top, order model #609542 drawer supports.
 - For 24"-wide tables with backsplash, order model #609541 drawer supports.
 - For 30"-wide tables with flat top, order model #609540 drawer supports.
 - For 30"-wide tables with backsplash, order model #609539 drawer supports.

EAGLE GROUP
100 Industrial Boulevard
Clayton, DE 19938-8903 USA
Phone: 302-653-3000 • 800-441-8440
Fax: 302-653-2065
www.eaglegrp.com • www.eaglegrp.com

For custom configuration or fabrication needs, contact our **SpecFAB® Division**.
 Phone: 302-653-3000 • Fax: 302-653-2065 • e-mail: quotes@eaglegrp.com

Item No.: _____
 Project No.: _____
 S.I.S. No.: _____

Cutting Tables

MODELS:

- | | | | |
|-----------------------------------|-----------------------------------|--------------------------------------|--------------------------------------|
| <input type="checkbox"/> CT2436S | <input type="checkbox"/> CT3036S | <input type="checkbox"/> CT2436S-BS | <input type="checkbox"/> CT3036S-BS |
| <input type="checkbox"/> CT2448S | <input type="checkbox"/> CT3048S | <input type="checkbox"/> CT2448S-BS | <input type="checkbox"/> CT3048S-BS |
| <input type="checkbox"/> CT2460S | <input type="checkbox"/> CT3060S | <input type="checkbox"/> CT2460S-BS | <input type="checkbox"/> CT3060S-BS |
| <input type="checkbox"/> CT2472S | <input type="checkbox"/> CT3072S | <input type="checkbox"/> CT2472S-BS | <input type="checkbox"/> CT3072S-BS |
| <input type="checkbox"/> CT2484S | <input type="checkbox"/> CT3084S | <input type="checkbox"/> CT2484S-BS | <input type="checkbox"/> CT3084S-BS |
| <input type="checkbox"/> CT2496S | <input type="checkbox"/> CT3096S | <input type="checkbox"/> CT2496S-BS | <input type="checkbox"/> CT3096S-BS |
| <input type="checkbox"/> CT24108S | <input type="checkbox"/> CT30108S | <input type="checkbox"/> CT24108S-BS | <input type="checkbox"/> CT30108S-BS |
| <input type="checkbox"/> CT24120S | <input type="checkbox"/> CT30120S | <input type="checkbox"/> CT24120S-BS | <input type="checkbox"/> CT30120S-BS |

Tabletop

- ½" (13mm)-thick removable poly top pieces.
- Available with flat top or 4½" (114mm)-high type 304 stainless steel removable backsplash to match balance of product line.
- 1½" (38mm) square stainless steel tubular frame.
- Tabs, along perimeter of tabletop frame, lock poly top in place and are virtually self-cleaning.

Crossbracing

- Heavy gauge stainless steel.
- 1¼" (32mm)-diameter.
- Adjustable.
- Runs left-to-right and front-to-back.

Legs

- Heavy gauge stainless steel.
- 1½" (41mm)-diameter.
- Adjustable metal feet.

Certifications / Approvals

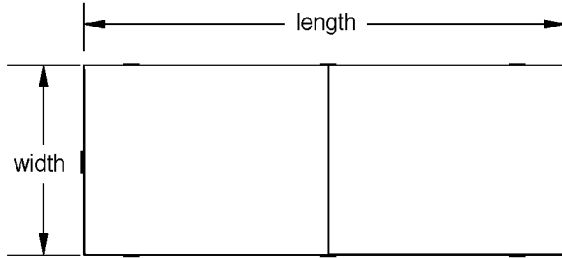


AutoQuotes

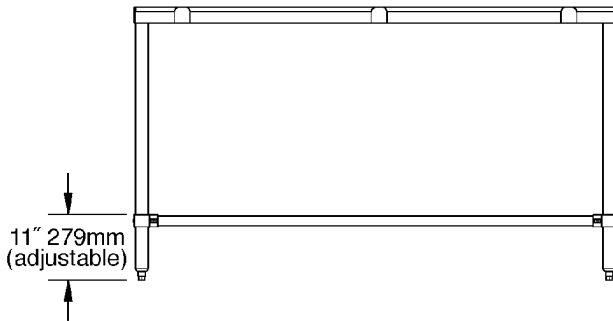


Item No.: _____
Project No.: _____
S.I.S. No.: _____

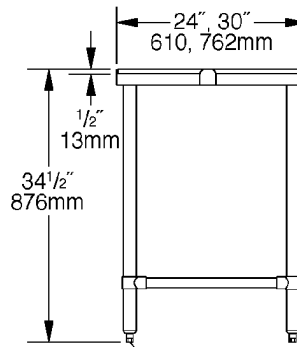
Cutting Tables



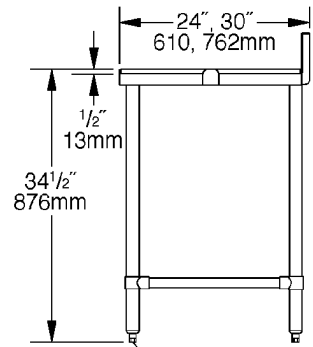
TOP VIEW



FRONT VIEW



SIDE VIEW - FLAT TOP



SIDE VIEW - BACKSPASH

Tables with Flat Top			Tables with 4 1/2" (114mm) Removable Backsplash			width		length	
model #	weight		model #	weight		in.	mm	in.	mm
	lbs.	kg		lbs.	kg				
CT2436S	110	49.9	CT2436S-BS	110	49.9	24"	610	36"	914
CT2448S	120	54.4	CT2448S-BS	120	54.4	24"	610	48"	1219
CT2460S	150	68.0	CT2460S-BS	150	68.0	24"	610	60"	1524
CT2472S	176	79.8	CT2472S-BS	180	81.6	24"	610	72"	1829
CT2484S	196	88.9	CT2484S-BS	198	89.8	24"	610	84"	2134
CT2496S	215	97.5	CT2496S-BS	217	98.4	24"	610	96"	2438
CT24108S	225	102.1	CT24108S-BS	230	104.3	24"	610	108"	2743
CT24120S	243	110.2	CT24120S-BS	250	113.4	24"	610	120"	3048
CT3036S	115	52.2	CT3036S-BS	118	53.5	30"	762	36"	914
CT3048S	130	59.0	CT3048S-BS	135	61.2	30"	762	48"	1219
CT3060S	157	71.2	CT3060S-BS	160	72.6	30"	762	60"	1524
CT3072S	178	80.3	CT3072S-BS	181	82.1	30"	762	72"	1829
CT3084S	198	89.8	CT3084S-BS	205	93.0	30"	762	84"	2134
CT3096S	220	99.8	CT3096S-BS	228	103.4	30"	762	96"	2438
CT30108S	230	104.3	CT30108S-BS	235	106.6	30"	762	108"	2743
CT30120S	255	115.7	CT30120S-BS	260	117.9	30"	762	120"	3048

EAGLE GROUP
100 Industrial Boulevard, Clayton, DE 19938-8903 USA
Phone: 302-653-3000 or 800-441-8440 • Fax: 302-653-2065
www.eaglegrp.com • www.eaglemhc.com

Printed in U.S.A.
©2022 by Eagle Group

Rev. 05/22

Spec sheets available for viewing, printing or downloading from our online literature library at www.eaglegrp.com

Although every attempt has been made to ensure the accuracy of the information provided, we cannot be held responsible for typographical or printing errors. Information and specifications are subject to change without notice. Please confirm at time of order.