



T&S BRASS AND BRONZE WORKS, INC.

2 Saddleback Cove / P.O. Box 1088
Travelers Rest, SC 29690

Model No.

B-0666-RGH

Item No.

Travelers Rest, SC: 800-476-4103 • Simi Valley, CA: 800-423-0150 • Fax: 864-834-3518 • www.tsbrass.com



ADA Compliant

This Space for Architect/Engineer Approval

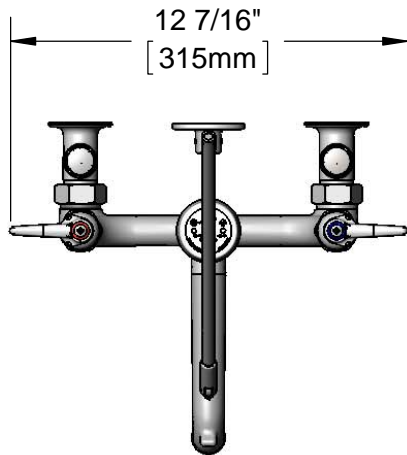
Job Name _____ Date _____

Model Specified _____ Quantity _____

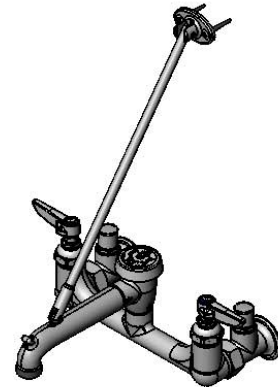
Customer/Wholesaler _____

Contractor _____

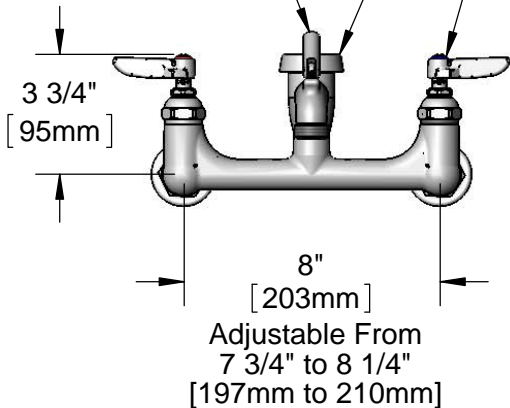
Architect/Engineer _____



Support Rod Furnished
w/ Wall Bracket and
Mounting Screws



Items Not
Shown
for Clarity



B-0969
1/2" Vacuum Breaker

Quarter-Turn
Eterna Cartridges w/
Spring Checks &
Lever Handles w/
Color Coded Indexes

Garden Hose
Male Outlet

1 1/8"
[28mm]

Mounting
Surface

Integral
Stop

13 15/16"
[354mm]

1/2" NPT
Female
Inlets

3 3/8"
[86mm]

9 13/16"
[250mm]

Product Specifications:

8" Wall Mount Service Sink Faucet, Quarter-Turn Eterna Cartridges w/ Spring Checks, Lever Handles, Upper Support Rod, Male Garden Hose Outlet, Polished Chrome Finish, Integral Stops, 1/2" NPT Vacuum Breaker & 1/2" NPT Female Inlets

Product Compliance:

ASME A112.18.1 / CSA B125.1
NSF 61 - Section 9
NSF 372 (Low Lead Content)
ANSI A117.1 (ADA)
ASSE 1001 (VB)



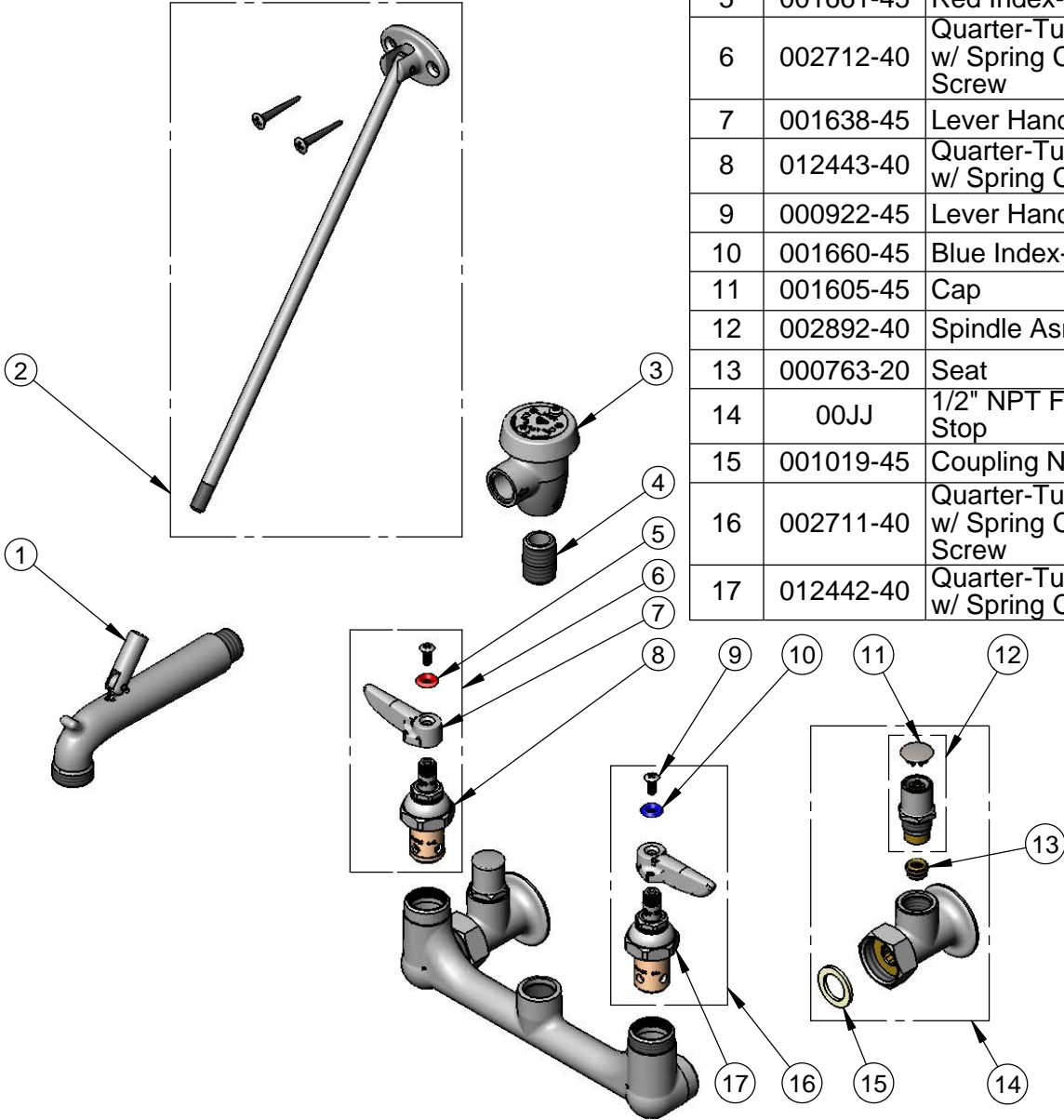
T&S BRASS AND BRONZE WORKS, INC.
 2 Saddleback Cove / P.O. Box 1088
 Travelers Rest, SC 29690

Model No.
B-0666-RGH

Item No.

Travelers Rest, SC: 800-476-4103 • Simi Valley, CA: 800-423-0150 • Fax: 864-834-3518 • www.tsbrass.com

| ITEM NO. | SALES NO. | DESCRIPTION |
|----------|-----------|---|
| 1 | 009545-25 | Spout w/ Male GH Outlet & Upper Clevis - Rough Chrome |
| 2 | 009546-40 | Upper Support Rod |
| 3 | B-0969 | 1/2" NPT Vacuum Breaker |
| 4 | 002534-25 | Close Nipple, 1/2" NPT |
| 5 | 001661-45 | Red Index-HW |
| 6 | 002712-40 | Quarter-Turn Eterna Cartridge, RTC w/ Spring Check, Handle, Index & Screw |
| 7 | 001638-45 | Lever Handle |
| 8 | 012443-40 | Quarter-Turn Eterna Cartridge, RTC w/ Spring Check |
| 9 | 000922-45 | Lever Handle Screw |
| 10 | 001660-45 | Blue Index-CW |
| 11 | 001605-45 | Cap |
| 12 | 002892-40 | Spindle Asm w/ Cap |
| 13 | 000763-20 | Seat |
| 14 | 00JJ | 1/2" NPT Female Inlet w/ Loose Key Stop |
| 15 | 001019-45 | Coupling Nut Washer |
| 16 | 002711-40 | Quarter-Turn Eterna Cartridge, LTC w/ Spring Check, Handle, Index & Screw |
| 17 | 012442-40 | Quarter-Turn Eterna Cartridge, LTC w/ Spring Check |



Product Specifications:
 8" Wall Mount Service Sink Faucet, Quarter-Turn Eterna Cartridges w/ Spring Checks, Lever Handles, Upper Support Rod, Male Garden Hose Outlet, Polished Chrome Finish, Integral Stops, 1/2" NPT Vacuum Breaker & 1/2" NPT Female Inlets

Product Compliance:
 ASME A112.18.1 / CSA B125.1
 NSF 61 - Section 9
 NSF 372 (Low Lead Content)
 ANSI A117.1 (ADA)
 ASSE 1001 (VB)